



INSTALLATION INSTRUCTIONS FOR PART 95-2005B

APPLICATIONS
CADILLAC
ELDORADO 1996-2002
SEVILLE 1996-1997/1998-2005
DEVILLE CONCOURS (CONSOLE SHIFT) 1996-1999
DEVILLE 2000-2005

95-2005B

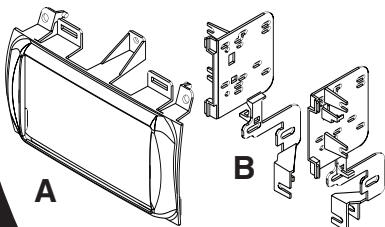
KIT FEATURES

- Double DIN Mount Radio Provision
- Stacked ISO Mount Radio Provision



KIT COMPONENTS

A) Double DIN Housing • B) Double DIN Brackets



WIRING AND ANTENNA CONNECTIONS

(Sold Separately)

Harness:

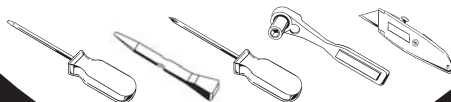
- GMRC-03 - Cadillac Chime Interface 1996-02
- GMOS-06 - Cadillac ONSTAR/AMP interface 2000-05

Antenna Adapter:

- 40-GM10 - GM antenna adapter 1988-up

TOOLS REQUIRED:

- Small Flat Blade Screwdriver/ Panel Removal Tool
• Phillips Screwdriver • Socket Set • Cutting Tool



1-800-221-0932



www.metraonline.com

© COPYRIGHT 2004-2009 METRA ELECTRONICS CORPORATION



TABLE OF CONTENTS

• Dash Disassembly

- Cadillac Eldorado 1996-2002 ----- 1
- Cadillac Seville 1996-1997----- 1
- Cadillac Seville 1998-2005----- 2
- Cadillac Deville Concours (Console Shift) 1996-1999----- 2
- Cadillac Deville 2000-2005 ----- 3

• Kit Preparation

- Cadillac Eldorado 1996-2002----- 4
- Cadillac Seville 1996-1997----- 4
- Cadillac Seville 1998-2005 ----- 5
- Cadillac Deville Concours (Console Shift) 1996-1999----- 5
- Cadillac Deville 2000-2005 ----- 6

• Kit Assembly

- Double DIN Mount Radio Provision----- 7
- Stacked ISO Mount Radio Provision----- 7

• Final Assembly ----- 8

• Refer also to the instructions included with the aftermarket radio.



KNOWLEDGE IS POWER

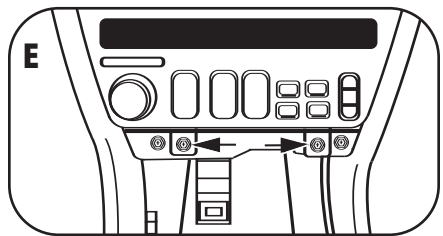
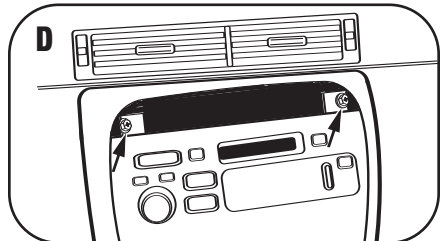
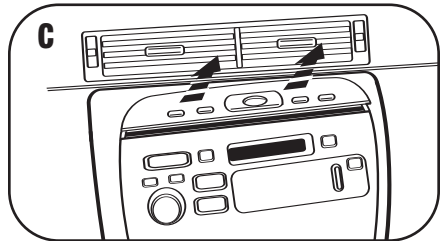
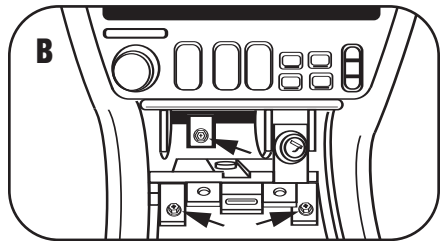
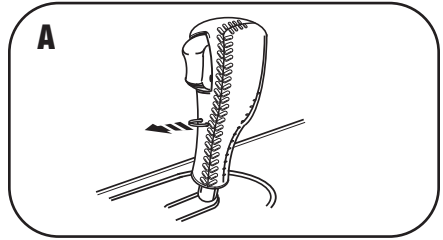
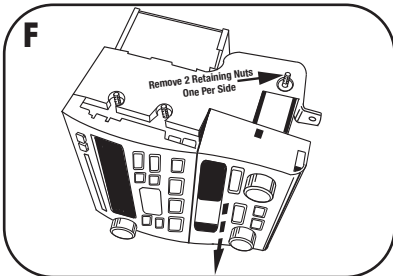
Enhance your installation and fabrication skills by enrolling in the most recognized and respected mobile electronics school in our industry.

Log onto www.installerinstitute.com or call 800-354-6782 for more information and take steps toward a better tomorrow.

CADILLAC ELDORADO 1996-2002 CADILLAC SEVILLE 1996-1997

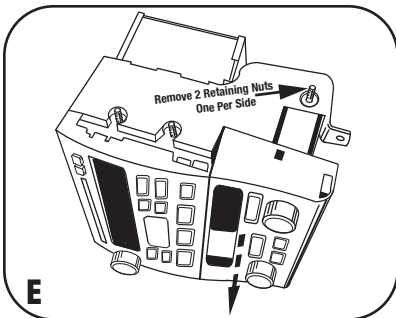
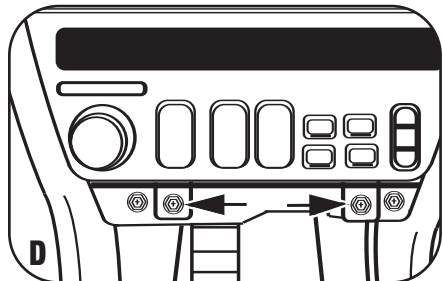
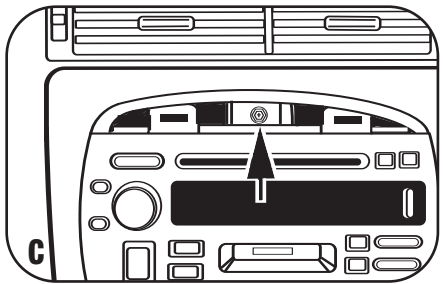
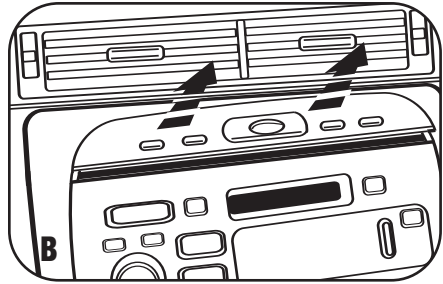
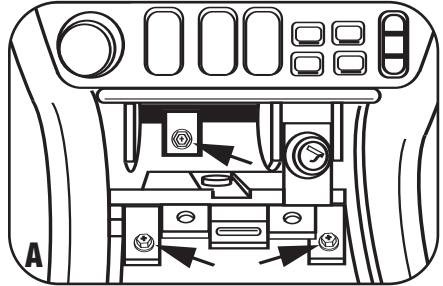
- 1** Disconnect the negative battery terminal to prevent an accidental short circuit.
- 2** Remove C-clip on forward facing side of shift knob and pull and remove knob. **(Figure A)**
- 3** Remove (2) 9/32 screws on each side of the ashtray assembly and (1) in the middle underneath ashtray insert. **(Figure B)**
- 4** Insert a small flat blade screwdriver in between the radio and the switch panel at top of radio and pry up and out to remove switch panel. **(Figure C)**
- 5** Remove (4) 9/32 screws
 - (2) from the top **(Figure D)** and
 - (2) from the bottom to remove radio. **(Figure E)**
- 6** Remove the (2) retaining nuts securing the radio and climate control to the factory bracket assembly and slide the climate control outward. **(Figure F)**

Continue to kit preparation.



CADILLAC SEVILLE 1998-2005
CADILLAC DEVILLE CONOURS
(CONSOLE SHIFT) 1996-1999

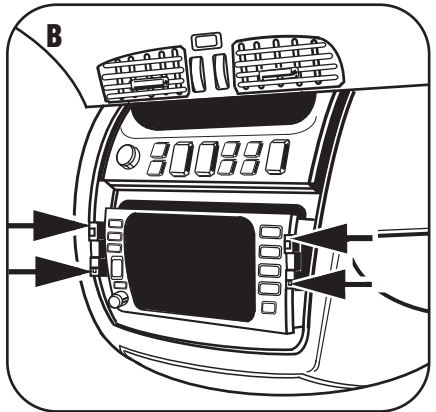
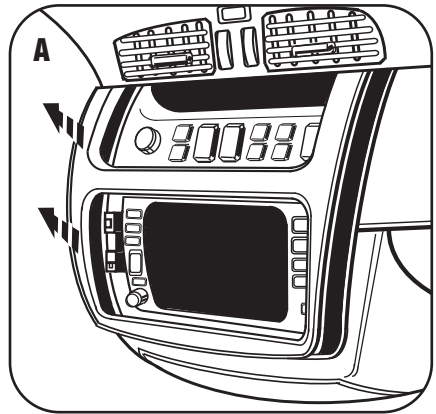
- 1** Disconnect the negative battery terminal to prevent an accidental short circuit.
 - 2** Remove (2) 9/32 screws on each side of the ashtray assembly and (1) in the middle underneath ashtray insert. **(Figure A)**
 - 3** Insert a small flat blade screwdriver in between the radio and the switch panel at top of radio and pry up and out to remove switch panel. **(Figure B)**
 - 4** Remove (3) 9/32 screws
 - (1) from the top **(Figure C)** and
 - (2) from the bottom to remove radio. **(Figure D)**
 - 5** Remove the (2) retaining nuts securing the radio and climate control to the factory bracket assembly and slide the climate control outward. **(Figure E)**
- Continue to kit preparation.*



CADILLAC DEVILLE 2000-2005

- 1** Disconnect the negative battery terminal to prevent an accidental short circuit.
- 2** Unsnap and remove panel surrounding climate controls and radio. (Figure A)
- 3** Depress clips on both sides of radio and pull out to remove. (Figure B)

Continue to kit preparation.

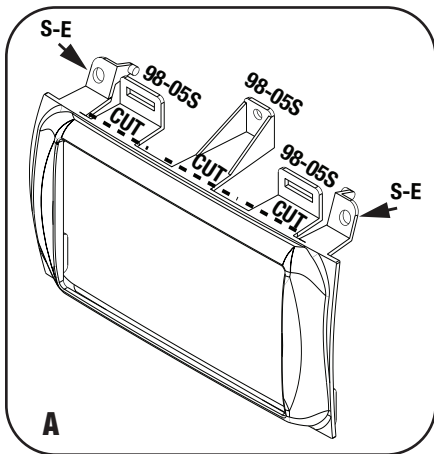


CADILLAC ELDORADO 1996-2002 CADILLAC SEVILLE 1996-1997

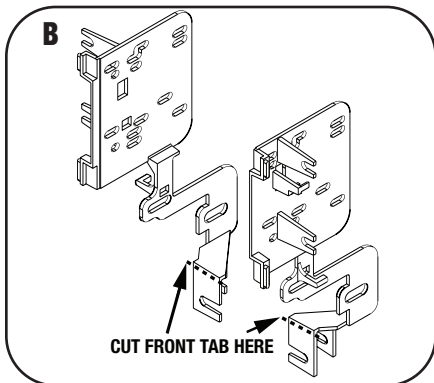
NOTE: Refer also to the instructions included with the aftermarket radio.

**1 Cadillac Eldorado 1996-2002
and Cadillac Seville 1996-1997:**

Remove all tabs except the ones marked **S-E** from the radio housing. (**Figure A**)



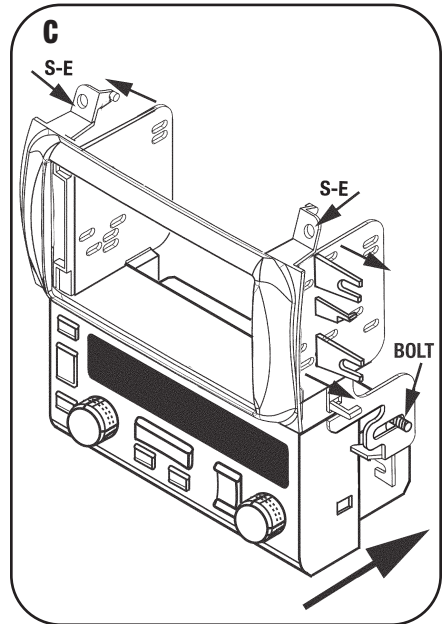
2 Cut front tab from bottom of the double DIN armature on both sides. (**Figure B**)



3 Attach the double DIN brackets to the double DIN radio housing. (**Figure C**)

4 Slide the climate control assembly into the bracket/housing assembly and attach with the factory hardware. (**Figure C**)

Continue to kit assembly.



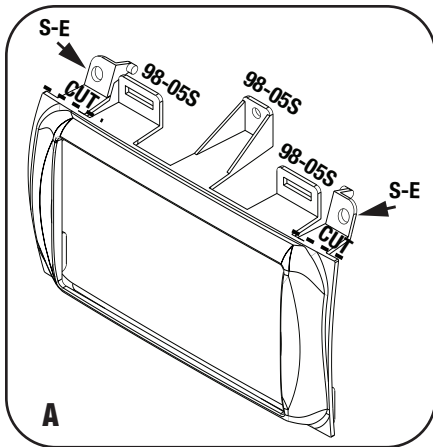
CADILLAC SEVILLE 1998-2005

DEVILLE CONCOURS (console shift) 1996-1999

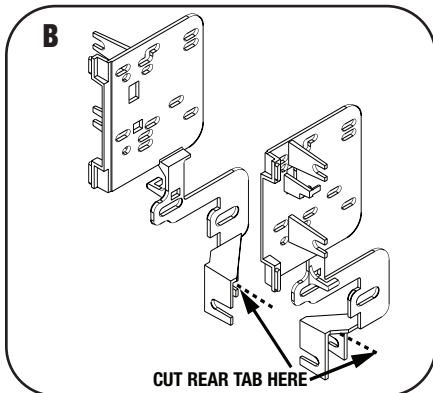
NOTE: Refer also to the instructions included with the aftermarket radio.

1 Cadillac Seville 1998-2005 and Deville Concours 1996-1999:

Remove all tabs except the ones marked **98-05S** from the radio housing. **(Figure A)**



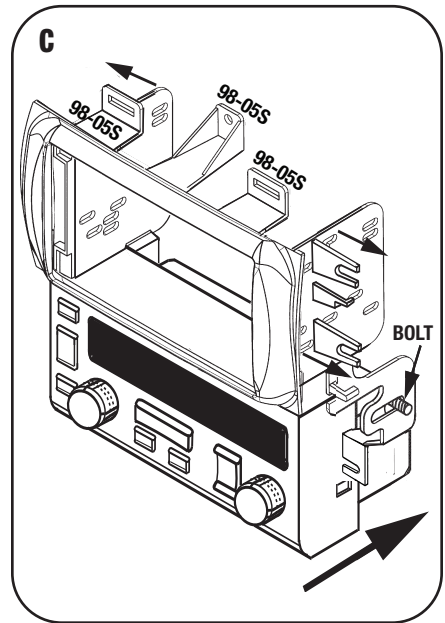
2 Cut rear tab from bottom of the double DIN armature on both sides. **(Figure B)**



3 Attach the double DIN brackets to the double DIN radio housing. **(Figure C)**

4 Slide the climate control assembly into the bracket/housing assembly and attach with the factory hardware. **(Figure C)**

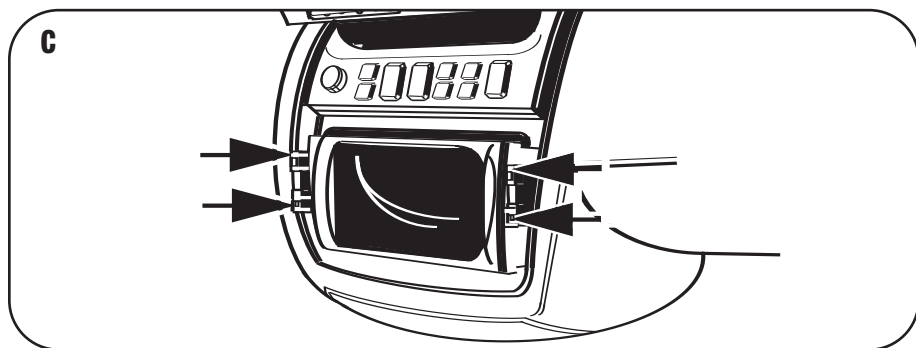
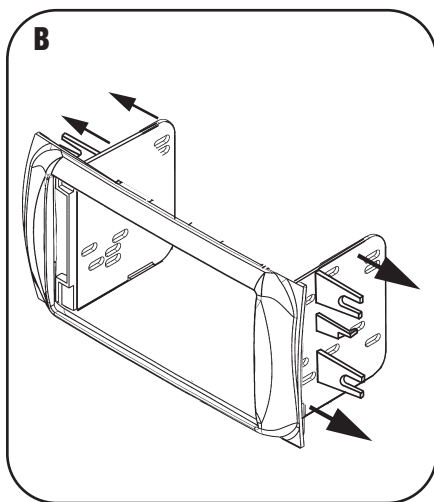
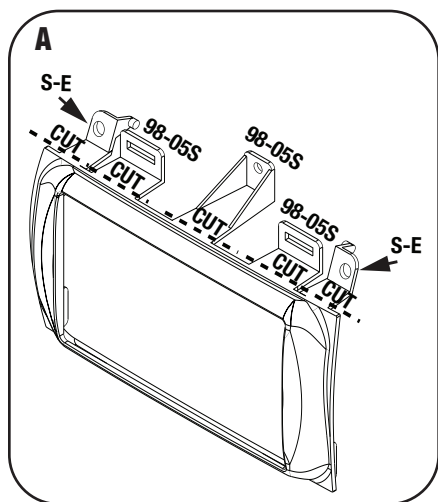
Continue to kit assembly.



CADILLAC DEVILLE 2000-2005

- 1 Cadillac Deville 2000-2005 :** Remove all tabs from the radio housing top. (Figure A)
- 2** Attach the double DIN brackets to radio housing. Leave all side tabs on the double DIN brackets attached, but cut plastic armature off below on each bracket at bottom, both sides. (Figure B)
- 3** When installing the 95-2005 assembly into the sub dash use the supplied (4) Phillips screws and mount in the locations shown. (Figure C)

Continue to kit assembly.

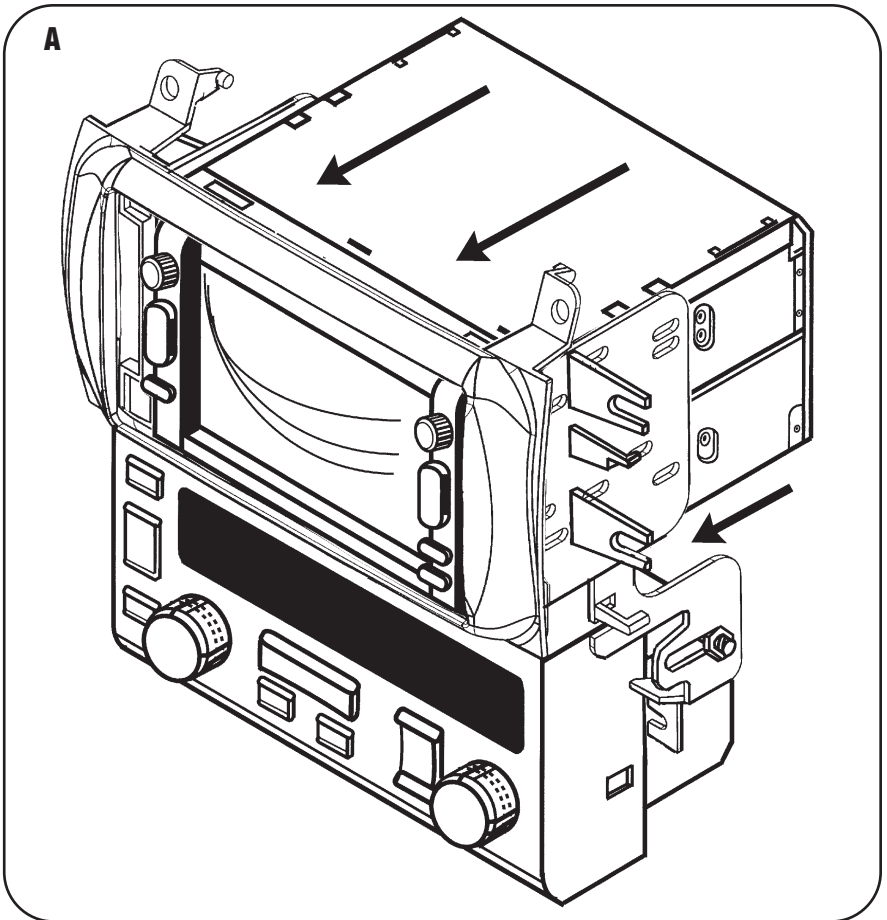


DOUBLE DIN MOUNT RADIO PROVISION/ STACKED ISO MOUNT UNIT(S) PROVISION

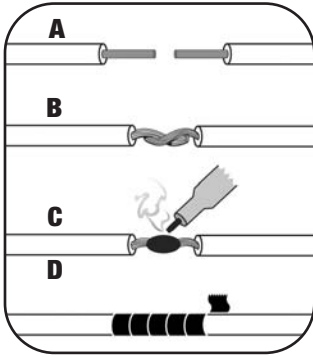
NOTE: Refer also to the instructions included with the aftermarket radio.

- 1 Slide the Double DIN or stacked ISO mount units into the bracket/radio housing assembly and secure the Double DIN or stacked ISO mount units to the assembly using the screws supplied with the Double DIN or stacked ISO mount units. **(Figure A)**

Continue to final assembly.



FINAL ASSEMBLY



(A) Strip wire ends back 1/2"

B) Twist ends together

C) Solder

D) Tape

- 1 Locate the factory wiring harness in the dash. Metra recommends using the proper mating adapter and making connections as shown. (Isolate and individually tape off the ends of any unused wires to prevent electrical short circuit.)
- 2 Re-connect the negative battery terminal and test the unit for proper operation.
- 3 Reassemble radio and dash assemblies in reverse order of disassembly.

FINAL WIRING CONNECTIONS

Make wiring connections using the EIA color code chart shown below and the instructions included with the head unit. Metra recommends making connections as shown below; Strip, Splice, Solder, Tape. Isolate and individually tape off ends of any unused wires to prevent electrical short circuit.

METRA / EIA WIRING CODE

12V Ignition / Acc. Red	Right Front (+) Gray
12V Batt / Memory Yellow	Right Front (-) Gray/ Black
Ground. Black*	Left Front (+) White
Power Antenna. Blue	Left Front (-) White / Black
Amp Turn-On Blue / White	Right Rear (+) Violet
Amp Ground. Black / White	Right Rear (-) Violet / Black
Illumination Orange	Left Rear (+) Green
Dimmer Orange / White	Left Rear (-) Green / Black

*NOTE: When a Black wire is not present, ground radio to vehicle chassis.
All colors may not be present on all leads due to manufacturer's specifications.

95-2005B INSTRUCTIONS



1-800-221-0932



www.metraonline.com

REV. 04/29/09 © COPYRIGHT 2004-2009 METRA ELECTRONICS CORPORATION INST95-2005B