

Lexmark MX310dn Monochrome Laser MFP

Versatility. Compact Design.

The Lexmark MX310dn laser MFP is fast with enterprise-worthy processing speeds that tackle printing, copying, faxing and scanning tasks in a flash. Efficient paper handling helps you improve productivity and save resources.



Up to 33
ppm



Network



Duplex



Eco mode

Unison™
TONER

MX310dn

Better Performance in Less Time.

Look no further for performance at an affordable price. This printer is built to improve your workflow and efficiency with ease.

Faster Processing - Improve your print, scan and copy speeds by taking advantage of 256 MB of memory and an 800 MHz dual-core processor.

Reliable Performance - Easily print up to 6000 pages per month, plus enjoy fewer maintenance hassles, thanks to the state-of-the-art paper handling.

Keep Jobs Moving - With a maximum input capacity of up to 850 sheets and a high yield toner cartridge, you won't have to add paper or change cartridges as often.

Get Work Done Quickly - Enjoy print speeds up to 33 pages per minute, plus print or copy your first page in as little as 6,5 seconds.

Easy to Use. High Quality Results.

Intuitive and thoughtful features put high quality output at your fingertips. From sharp graphics to convenient controls, it's easy to get professional results.

High Resolution Graphics - With up to true 1200 x 1200 dpi resolution, images and graphics stay crisp. Lexmark's Unison™ Toner ensures consistent quality, too.

Innovative Toner That Optimises Performance - Get greater system performance with Lexmark's Unison™ Toner, which delivers consistent image quality from first print to last.

Convenient Control Panel - Keep on top of your printing jobs with the easy-to-read colour LCD display.

Print on a Wide Range of Media - With the ability to print on diverse materials, you can do more for your business and use less paper.

Get More Work Done. Effortlessly.

Quickly respond to changing business needs with this eco-friendly printer that streamline your workflow.

Help Workers Do More - This printer can print jobs from the network faster, so your teams stay productive.

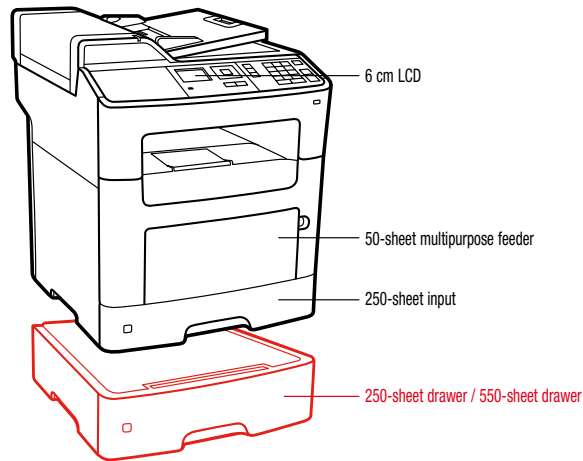
Enjoy Enterprise-level Security - Now you can authenticate, authorise and audit employee usage. Plus, protect sensitive data using standard network security protocols.

Save Resources and the Planet - An instant warm-up fuser, built-in two-sided printing, a high yield toner option, plus Quiet, Hibernate and Eco modes minimise noise and save paper and energy.

Print Anytime and Anywhere⁶ - With this printer, you can print from desktops as well as mobile devices that can run applications.

LEXMARK™

Lexmark MX310dn Monochrome Laser MFP



Standard
 Optional

Product specifications

Lexmark MX310dn

Product specifications		Lexmark MX310dn
Printing		
Functionality		Printing, Network scanning, Faxing, Copying, Colour scanning
Display		6 cm colour LCD display
Print Speed: Up to ¹		Black: 33 ppm
Time to First Page: As fast as		Black: 6,5 seconds
Print Resolution		Black: 600 x 600 dpi, 2400 Image Quality, 1200 x 1200 dpi, 1200 Image Quality
Memory / Processor		Standard: 256 MB / Maximum: 256 MB / Processor: Dual Core, 800 MHz
Hard Disk		Not available
Recommended monthly page volume ²		250 - 6000 pages
Maximum monthly duty cycle: up to ³		50.000 pages per month
Copying		
Copy Speed: Up to ⁴		Black: 33 cpm
Time to First Copy: As fast as		Black: 6,5 seconds
Colour Scanning		
Scanner Type / ADF Scan		Flatbed scanner with ADF / Simplex / 50 pages
Simplex Scan Speed: Up to		A4, black: 42 spm - A4, colour: 19 spm
Optical scan resolution		1200 x 600 ppi (black), 600 x 600 ppi (colour)
Faxing		
Modem speed		ITU T.30, V.34 Half-Duplex, 33.6 kbps
Supplies⁵		
Laser cartridge yields		2500 ¹ -page cartridge, 10.000 ¹ -page cartridge
Imaging unit yield: up to		60.000 pages, based on average 3 pages per print job and 5% coverage
Cartridge(s) shipped with product		2500 ¹ -page Return Program toner cartridge
Paper Handling		
Paper handling (standard)		Integrated duplex, 150-sheet output bin, 250-sheet input, 50-sheet multipurpose feeder
Paper handling (optional)		250-sheet drawer, 550-sheet lockable drawer, 550-sheet drawer
Paper Input Capacity: Up to		Standard: 300 pages / Maximum: 850 pages
Paper Output Capacity: Up to		Standard: 150 pages / Maximum: 150 pages
Media types supported		Paper labels, Plain paper, Transparencies, Refer to the Card Stock & Label Guide, Card stock, Envelopes
Media sizes supported		A6, 10 envelope, 7 3/4 envelope, 9 envelope, A4, A5, DL envelope, Oficio, Universal sizes, Statement, Letter, Legal, JIS-B5, Folio, Executive
General		
Connectivity (standard)		Fast Ethernet (RJ-45), also works with Gigabit Ethernet, USB 2.0 Hi-Speed certified port (type B)
Optional Network Ports / Optional Local Ports		MarkNet 8352 802.11b/g/n Wireless, MarkNet N7020e Gigabit Ethernet (external)
Noise Level, Operating		Print: 53 dBA / Copy: 54 dBA / Scan: 55 dBA
Product guarantee		1 year On Site Service
Size (mm. - H x W x D) / Weight (kg)		468 x 399 x 472 mm / 20,0 kg

¹ Average standard page yield value declared in accordance with ISO/IEC 19752. ² The recommended monthly page volume is a range of pages that helps customers evaluate Lexmark's product offerings based on the average number of pages customers plan to print on the device each month. Lexmark recommends that the number of pages per month be within the stated range for optimum device performance, based on factors including: supplies replacement intervals, paper loading intervals, speed, and typical customer usage. ³ The maximum monthly duty cycle is defined as the maximum number of pages a device could deliver in a month using a multishift operation. This metric provides a comparison of robustness in relation to other Lexmark printers and MFPs. ⁴ Print and copy speeds measured in accordance with ISO/IEC 24734 and ISO/IEC 24735 respectively (ESAT). For more information see: www.lexmark.com/ISOspeeds. ⁵ Product functions only with replacement cartridges designed for use in a specific geographical region. See www.lexmark.com/regions for more details. ⁶ For more information on Lexmark Mobile Solutions see: lexmark.com/mobile

