
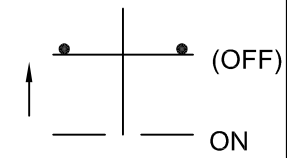
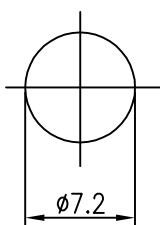
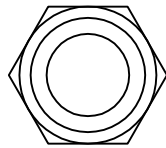
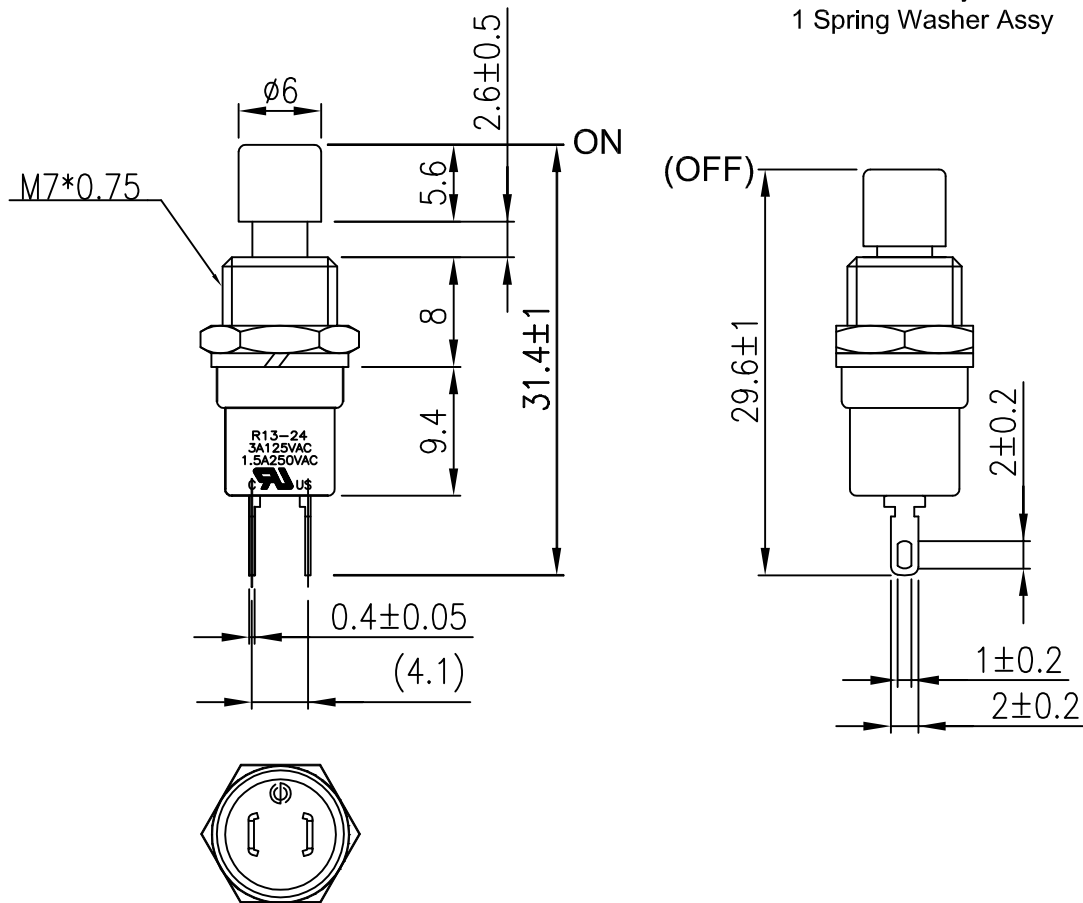


Rating	3A 125V AC 1.5A 250V AC		Mounting Hole	
Contact Resistance	50m ohm Max			
Insulation Resistance	DC 500V 100M ohm Min.			
Dielectric Strength	AC 1000V 1 minute			
Button	φ 6x5.6			
Switch Function	2P SPST (OFF)-ON			



Material:  
 Button: ABS, White  
 Silder: ABS, White  
 1 Hex Nut Assy  
 1 Spring Washer Assy



Tolerances Unless Otherwise Specified  $\pm 0.3$

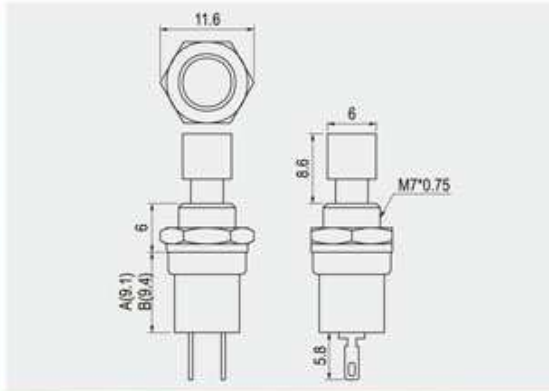
A4

								△	
								△	
Date	Name	Description						No.	
Drawn	Checked	Approved	SCI BOM No.	1830385	Model Name	PUSH SWITCH			
邱 權	楊金江		Customer No.	705169	Model No.	R13-24B-05-WH	Rev.		0
11/22/10	11/22/10		Unit	mm	Shin Chin Industrial Co., Ltd.				

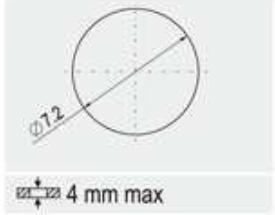
\* The specification subject to change without notice." "The drawing is for reference only.

## R13-24

### Screw Type



<b>Rating</b>
3A 125V AC 1.5A 250V AC
<b>Contact resistance</b>
50mΩ Max
<b>Insulation resistance</b>
DC 500V 100MΩ Min
<b>Dielectric strength</b>
AC 1000V 1 minute
<b>Cut-out</b>



#### FEATURES

- \* MATERIAL: Actuator is PBT ( UL Frames: 94V-0). Frame is nickel plated metal. Base is PBT (HB).
- \* Actuator's size is optional.
- \* Mounted by nut.

## R13-24

FUNCTION		BUTTON	TERMINAL
<b>A</b>	 2P SPST	$\varnothing 6*5.6$	0 5  SO
<b>B</b>	 2P SPST * ( ) =momentary	$\varnothing 10*8.5$	

