

# Base strip - MC 0,5/ 4-G-2,5 THT - 1963447

Please be informed that the data shown in this PDF Document is generated from our Online Catalog. Please find the complete data in the user's documentation. Our General Terms of Use for Downloads are valid (<http://download.phoenixcontact.com>)



Header, Nominal current: 4 A, Rated voltage (III/2): 160 V, Number of positions: 4, Pitch: 2.5 mm, Color: Black, Contact surface: Tin, Assembly: SMD/THT/THR, User information and design recommendations for through hole reflow technology can be found under "Downloads"

The figure shows a 10-position version of the product

## Product Features

- Alternative pin lengths of 1.4 mm or 2.6 mm available on request
- Low-profile THR pin strips with a compact MICRO pitch of 2.5 mm
- Reel diameter: 330 mm, tape width: 44 mm
- Delivery form: box packaging, in bulk for small series
- Delivery form: tape-on-reel packing according to IEC 60286-3 for automated mounting
- Use in SMT reflow processes

## Key commercial data

<b>package_quantity</b>	50
<b>GTIN</b>	4017918912277

## Technical data

### Dimensions

<b>Length</b>	10.1 mm
<b>Height</b>	8.1 mm
<b>Pitch</b>	2.5 mm
<b>Dimension a</b>	7.5 mm
<b>Pin dimensions</b>	0,8 x 0,8 mm
<b>Pin spacing</b>	2.50 mm
<b>Hole diameter</b>	1.4 mm

### General

<b>Range of articles</b>	MC 0,5/...-G-THT
<b>Insulating material group</b>	IIIa
<b>Rated surge voltage (III/3)</b>	1.5 kV
<b>Rated surge voltage (III/2)</b>	2.5 kV
<b>Rated surge voltage (II/2)</b>	2.5 kV
<b>Rated voltage (III/3)</b>	32 V
<b>Rated voltage (III/2)</b>	160 V
<b>Rated voltage (II/2)</b>	160 V

# Base strip - MC 0,5/ 4-G-2,5 THT - 1963447

## Technical data

### General

Connection in acc. with standard	EN-VDE
Nominal current I <sub>N</sub>	4 A
Maximum load current	4 A
Insulating material	PA
Inflammability class according to UL 94	V0
Color	Black
Number of positions	4

## classifications

### eCl@ss

eCl@ss 4.0	272607xx
eCl@ss 4.1	27260701
eCl@ss 5.0	27260701
eCl@ss 5.1	27260701
eCl@ss 6.0	27260704
eCl@ss 7.0	27440402
eCl@ss 8.0	27440402

### ETIM

ETIM 3.0	EC001121
ETIM 4.0	EC002637
ETIM 5.0	EC002637


### UNSPSC

UNSPSC 6.01	30211810
UNSPSC 7.0901	39121409
UNSPSC 11	39121409
UNSPSC 12.01	39121409
UNSPSC 13.2	39121409

## approvals

UL Recognized / VDE Gutachten mit Fertigungsüberwachung / cUL Recognized / IECCE CB Scheme / CCA / cULus Recognized /

### Approval details

<b>UL Recognized</b> 	
<b>Usegroups</b>	<b>B</b>
Nominal voltage UN	125 V
Nominal current IN	4 A

# Base strip - MC 0,5/ 4-G-2,5 THT - 1963447

## approvals

<b>Usegroups</b>	<b>B</b>
mm <sup>2</sup> /AWG/kcmil	

<b>VDE Gutachten mit Fertigungsüberwachung</b>	
Nominal voltage UN	32 V
Nominal current IN	4 A
mm <sup>2</sup> /AWG/kcmil	

<b>cUL Recognized</b>	
<b>Usegroups</b>	<b>B</b>
Nominal voltage UN	125 V
Nominal current IN	4 A
mm <sup>2</sup> /AWG/kcmil	

<b>IECEE CB Scheme</b>	
Nominal voltage UN	32 V
Nominal current IN	4 A
mm <sup>2</sup> /AWG/kcmil	

<b>CCA</b>	
Nominal voltage UN	32 V
Nominal current IN	4 A
mm <sup>2</sup> /AWG/kcmil	

<b>cULus Recognized</b>	
-------------------------	--

## accessories

## Coding element

## Base strip - MC 0,5/ 4-G-2,5 THT - 1963447

accessories

CP-MC 0,5 - 1881435



---

### Labeled terminal marker

SK 2,54/2,8:FORTL.ZAHLEN - 0804853

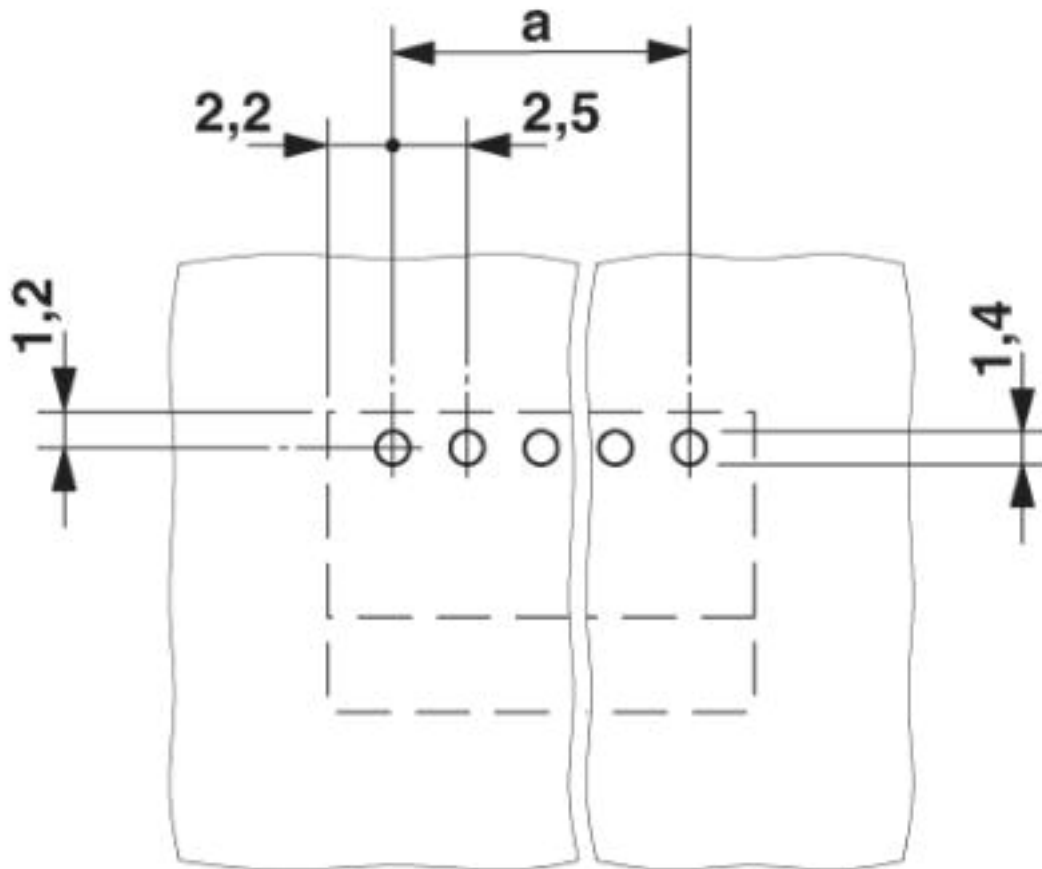


---

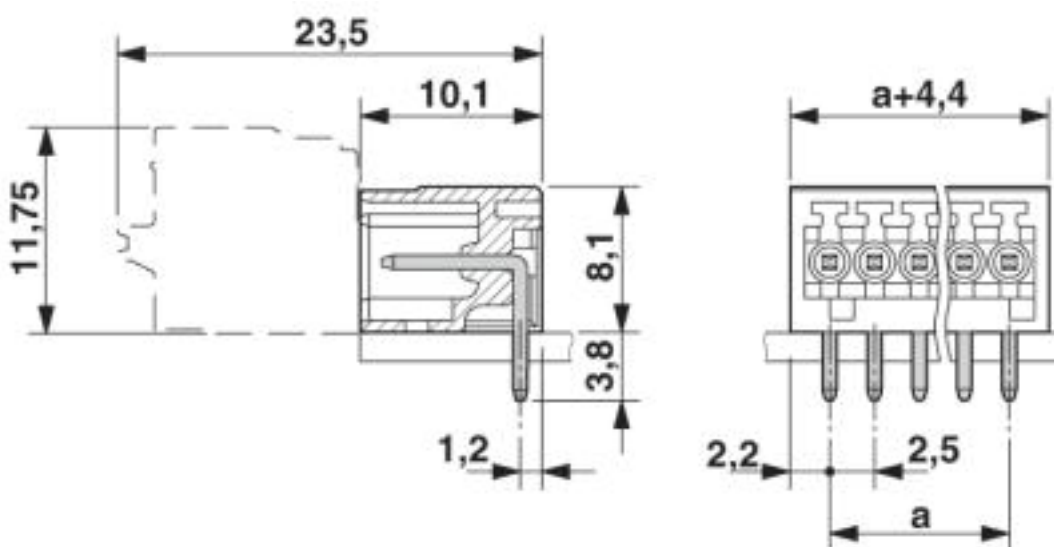
### Drawings

# Base strip - MC 0,5/ 4-G-2,5 THT - 1963447

Drilling diagram



Dimensioned drawing



# Base strip - MC 0,5/ 4-G-2,5 THT - 1963447

Dimensioned drawing

