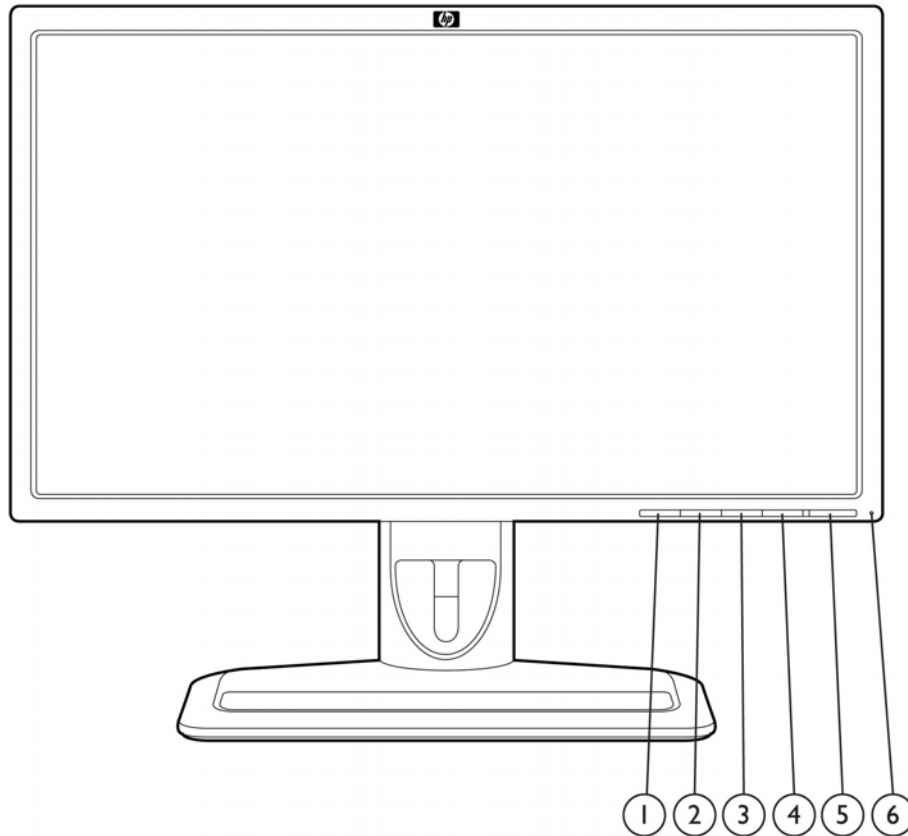


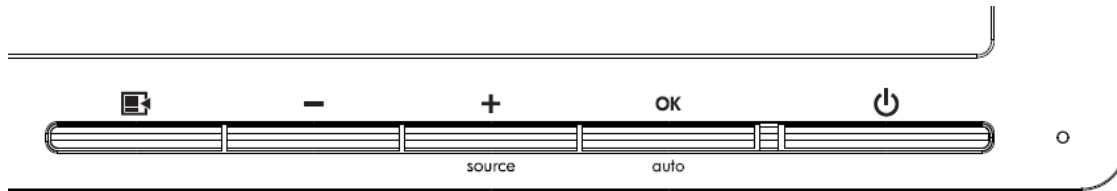
### Technical Specifications

#### HP ZR22w プロフェッショナル液晶モニタ



1. メニュー: オンスクリーンディスプレイ (OSD) メニュー表示、選択項目の選択、メニューの終了を実行します。
2. マイナス(-): OSDメニューを逆方向に移動すると、調整レベルを低くできます。OSDメニューが無効になっている場合は、画面イメージを最適化する自動調整機能が有効になります。
3. プラス(+)/ソース: OSDメニューを順方向に移動すると、調整レベルを高くできます。OSDメニューが無効の場合、ビデオ入力の選択 (VGA, DVI, ディスプレイポート) ができます。
4. OK/自動: OSDメニューが無効になっている場合は、画面イメージを最適化する自動調整機能が有効になります。
5. 電源: モニタの電源のオン/オフを切り替えます。
6. LED電源:  
青 = 電源が入っている状態  
オレンジ = スリープモード  
オレンジの点滅 = スリープタイマーモード

### Technical Specifications



#### ZR22w ベゼルボタン

<b>製品</b>	
VM626A4 #ABJ	
<b>パネル</b>	
タイプ	ワイドアスペクトアクティブマトリックス TFT (薄膜トランジスタ)
表示可能なイメージ領域	<b>54,61 cm</b> (21.5 in) ワイドスクリーン (対角)
表示領域 (W x H)	<b>47,52 x 26,73 cm</b> (18.87 x 11.7in)
パネルタイプ	S-IPS (UH-IPS エネルギー効率改善タイプ)
解像度	1920 x 1080, Full HD
アスペクト比	16:9
視野角 (標準)	最大 178° 水平/178° 最大垂直 (10:1 最小コントラスト比)
輝度 (標準)*	250 nits (cd/m <sup>2</sup> )
コントラスト比 (標準)*	1000:1, 3000:1 DCR (ダイナミックコントラスト比)
応答時間 (標準)*	8 ms (gray to gray), 16 ms (on/off)
ピクセルピッチ	0.2475 mm
バックライト寿命 (約半分の輝度)	5.0K 時間
最大表示色	16.7 万色
色域 (ガマット)	
サイズ vs. NTSC	82% (CIE 1976)
sRGB カバー率	96% (CIE 1931), 90% (CIE 1976)
*All performance specifications represent the typical specifications provided by HP's component manufacturers; actual performance may vary either higher or lower. 仕様内の '標準' 値についてはHPのコンポーネントによって提供されています; 実際の値は異なる可能性があります。	
オンスクリーンディスプレイ (OSD)コントロール	<b>Buttons or Switches</b> OSD menu select, OSD down, OSD UP/Source, OK/auto, power
	<b>Languages</b> English, French, German, Spanish, Italian, Dutch, Japanese, S. Chinese, T. Chinese, and Brazilian Portuguese
	<b>User Controls</b> Brightness, contrast, OSD control, color temperature (5000k, 6500k (sRGB), 9300k, custom), individual color control, information, video input control, clock, clock phase, monitor management, factory reset
<b>Signal Interface/ Performance</b>	<b>Horizontal Frequency</b> 24 to 94 KHz (DVI input for modes with pixel clock less than 165MHz)
	<b>Vertical Frequency</b> 50 to 76 Hz (DVI input for modes with pixel clock less than 165 MHz)
	<b>Native Resolution</b> 1920 x 1080 @ 60 Hz, 2.1 Million pixels
	<b>Preset VESA Graphic Modes</b> (non-interlaced) 1920 x 1080 @ 60 Hz 1680 x 1050 @ 60 Hz 1600 x 1200 @ 60 Hz 1440 x 900 @ 60 Hz 1280 x 1024 @ 60 Hz

### Technical Specifications

		1280 x 960 @ 60 Hz		
		1280 x 720 @ 60 Hz		
		1024 x 768 @ 60 Hz		
		800 x 600 @ 60 Hz		
		640 x 480 @ 60 Hz		
		720 x 400 @ 70 Hz		
	<b>Text Mode</b>			
	<b>Maximum Pixel Clock Speed</b>	200 MHz (analog input); 165 MHz (DVI input & DP input)		
	<b>User Programmable Modes</b>	Yes, 20		
	<b>Anti-Glare</b>	Yes		
	<b>Anti-Static</b>	Yes		
	<b>Default Color Temperature</b>	6500 K		
<b>Video/Other Inputs</b>	<b>Plug and Play Self Powered USB 2.0 Hub</b>	Yes		
	<b>USB Cable Length</b>	<b>1,8 m</b> (5.9 ft)		
	<b>Input Connectors</b>	1 DisplayPort connector, 1 DVI-D connector, 1 VGA connector, HDCP support on DisplayPort and DVI.		
	<b>Input Impedance</b>	75 ohms ± 10%		
	<b>Sync Input</b>	Separate sync (HSYNC/VSYNC)		
	<b>DVI-D Video Cable Length</b>	<b>1,8 m</b> (5.9 ft)		
	<b>DisplayPort Video Cable Length</b>	<b>1,8 m</b> (5.9 ft)		
	<b>Power</b>	<b>Input Power Frequency</b>	Auto-Sensing, 100 to 240 VAC, 50 +/-3 Hz to 60 +/-3 Hz	
		<b>Typical Power Consumption</b>	33.5 watts (120VAC, USB ports 25% of maximum load)	
		<b>Maximum Power Saving</b>	< 44 watts	
<b>Power Cable Length</b>		< 1 watt sleep mode, < 1 watt off		
<b>Mechanical</b>	<b>Dimensions (H x W x D)</b>	<b>Unpacked w/stand (single)</b>	<b>36,7 to 45,7 x 50,7 x 23,0 cm</b> (14.4 to 18.0 x 20.0 x 9.1 in)	
		<b>Unpacked w/o stand (head only)</b>	<b>30,3 x 50,7 x 6,4 cm</b> (11.9 x 20.0 x 2.5 in)	
		<b>Packaged (single)</b>	<b>39,4x 57,1x 31,6 cm</b> (15.5 x 22.5 x 12.4 in)	
	<b>Weight</b>	<b>Packaged (quad head bulk)</b>		
		<b>Unpacked w/stand (single)</b>	<b>7,24 kg</b> (15.9 lb)	
		<b>Unpacked w/o stand (head only)</b>	<b>4,26 kg</b> (9.4lb)	

### Technical Specifications

**Packaged** (single)                      **9,66 kg** (21.3lb)

#### Ergonomic Features

##### 8-Way Comfort Adjust

Easily adjust the display in height, tilt, swivel and pivot for maximum comfort. Eight degrees of adjustment freedom including height up/down, tilt forward/back, swivel left/right and pivot portrait/landscape.

##### HP Quick Release

Ultra convenient set up. Easily mount and detach the display head from the stand.

##### Cable Management

Enhanced cable management for easy concealment of power, video and USB cables. Effortless routing of cables through the base of the column with removable cover plate.

##### Detachable Stand

Stand ships detached and easily attaches with the HP Quick Release.

##### Tilt Range

-5° to + 30° vertical

##### Swivel Range

-45° to + 45°

##### Height Adjustable

Yes, range **9,0 cm** (3.5 in)

##### Pivot Rotation

Yes

#### Environmental

##### Temperature - Operating

**5° to 35° C** (41° to 95° F)

##### Temperature - Non-operating

**-20° to 60° C** (-4° to 140° F)

##### Humidity - Operating

20% to 80% non-condensing

##### Humidity - Non-operating

5% to 95%, 38.7° C max wet-bulb

##### Altitude - Operating

**+5,000 m** (16,400 ft)

##### Altitude - Non-operating

**+12,192 m** (40,000 ft)

#### Environmental Data

##### Energy Certifications and Declarations

This product has received or is in the process of being certified to the following approvals and may be labeled with one or more of these marks:

- ENERGY STAR® 5
- EPEAT® - Gold
- IT ECO declaration
- Korea Eco-label
- TCO 5
- CEL Level 2
- 85% power supply efficiency
- Power Saving 2-lamp CCFL backlight
- HP LiteSaver Software to enable user to schedule monitor power down on programmable schedule.
- HP WattSaver technology that reduces standby power to less than 1 watt.
- Recycled resin in cabinet/stand, 28% minimum
- Recyclable product materials, 10.8% minimum
- Recycled packaging materials, 80% minimum
- Recyclable packaging materials, 95% minimum
- Arsenic-free LCD panel

##### Energy Saving Features

##### Earth Friendly Materials

### Technical Specifications

<b>Options</b>	<p><b>HP LCD Speaker Bar—Part number NQ576AA</b></p> <p><b>HP USB Graphics Adapter—Part number NL571AA</b></p> <p><b>HP Business PC Security Lock Kit—Part number PV606AA</b></p>	<p>Powered directly by the monitor or the PC, the Speaker Bar seamlessly attaches to the monitor's lower bezel to bring full audio support to select HP LCD monitors. Features include dual speakers with full sound range and external jack for headphones. Sold separately. For more information, refer to the product's QuickSpecs.</p> <p>Enables connection of up to six simultaneous displays to help you boost productivity and multi-task across several open applications. Use one Adapter to bridge between a notebook or desktop PC and second monitor or use multiple Adapters to connect several displays to each other.</p> <p>Attaches to the rear of the PC with a six-foot steel cable that can be used to secure a PC or peripherals such as mice, keyboards, monitors or USB security devices to protect them against unauthorized removal by physically connecting the system to an anchor point.</p>
<b>Other</b>	<p><b>Accessories Included</b></p> <p><b>Software</b></p> <p><b>User Guide Languages</b></p> <p><b>Warranty Languages</b></p> <p><b>Color</b></p> <p><b>VESA External Mounting</b></p> <p><b>Security Lock-Ready</b></p>	<p>VGA Cable, DVI cable, DisplayPort cable, USB cable, power cable (single unit)</p> <p>HP Display Assistant is a software utility that enables theft deterrence and allows monitor adjustment, color calibration, and security/asset management using the Display Data Channel Command Interface (DDC/CI) protocol of the connected PC or workstation.</p> <p>English, B. Portuguese, French, LA Spanish, Korean, S. Chinese, T. Chinese, Bahasa, Japanese, Danish, Finnish, German, Norwegian, Spanish, Swedish, Greek, Polish, Russian, Slovenian, Turkish</p> <p>English, Canadian French, LA Spanish, Brazilian Portuguese, Danish, German, Castilian Spanish, French, Italian, Dutch, Norwegian, Finnish, Swedish, Bahasa Indonesian, Korean, T. Chinese, S. Chinese</p> <p>All carbonite</p> <p>Yes, standard 4 hole pattern, 100 mm</p> <p>Yes, one slot available</p>
<b>Certification and Compliance</b>	<p>TCO 5.0 Displays, ISO 13406-2 VDT Guidelines Approval, CISPR Requirements, VCCI Approvals, MIC (Korean) Requirements, CSA, Australian ACA Approval, "GS" Mark, TUV Approvals, CE Marking, FCC Approval, ENERGY STAR® qualified, Microsoft® Windows® Certification (Microsoft® Windows® 98, Microsoft Windows 2000, Microsoft Windows XP, Windows Vista® Premium, and Windows 7), EPEAT® Gold.</p>	
<b>Compatibility</b>	<p>Compatible with platforms using the VESA standard video modes. Recommended for use with HP products.</p>	
<b>Service and</b>	<p>Three years parts, labor, and on-site service. 24-hour, 90-day, toll-free technical support. Replacement options may include second business day on-site service, or next business day direct</p>	

### *Technical Specifications*

#### **Warranty**

replacement, at HP's sole discretion.<sup>1</sup> With direct replacement, HP will ship a replacement display product directly to you. Using the prepaid shipping labels provided, return your failed display to HP in the same packaging as the replacement. Certain restrictions and exclusions apply. For details see your product warranty or contact HP Customer Support.

---

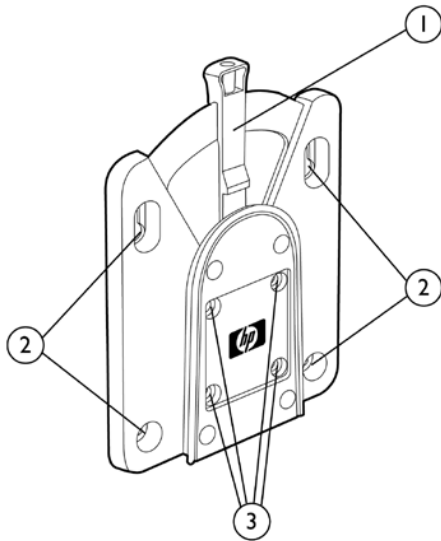
---

<sup>1</sup> HP Care Pack Services extend service contracts beyond the standard warranties. Service starts from date of hardware purchase. To choose the right level of service for your HP product, use the HP Care Pack Services Lookup Tool at [www.hp.com/go/lookuptool](http://www.hp.com/go/lookuptool). Additional HP Care Pack Services information by product is available at [www.hp.com/hps/carepack](http://www.hp.com/hps/carepack). Service levels and response times for HP Care Packs may vary depending on your geographic location.

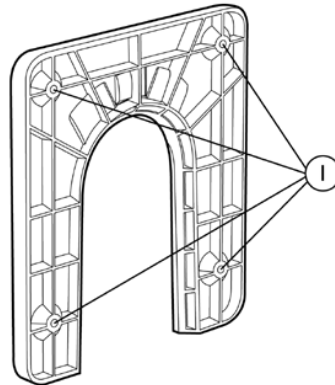
### Technical Specifications

## Overview

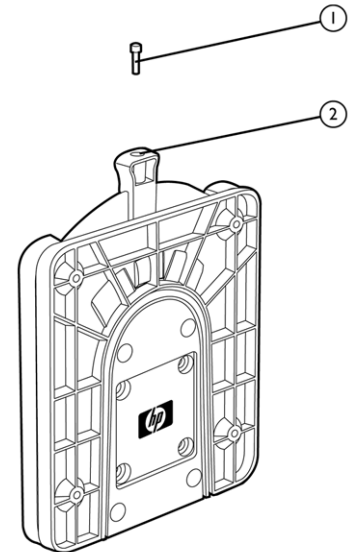
### HP LCD Monitor Quick Release



1. Release/locking
2. Four 100 mm VESA mount screw holes
3. Mounting holes for attachment to back of monitor stands



1. Four 100 mm VESA mount screw holes



1. Locking pin screw
2. Locking pin hole on release/locking arm

## Introduction

The HP Quick Release, which ships standard with the HP ZR22w 21.5-inch Widescreen LCD Monitor, is an easy to use, 100 mm VESA-compliant, flat panel monitor mounting solution that allows you to quickly and securely attach a flat panel monitor to a variety of stands, brackets, arms or wall mounts. HP Quick Release can also be used for mounting any combination of devices that are compatible with the 100 mm VESA Flat Display Mounting Interface Standard. The failsafe "Sure-Lock" mechanism snaps the monitor (or mounted device) securely in place, and can be further secured with a theft-deterrent security screw.

## Uniquely flexible product configurations

HP Quick Release enables uniquely flexible product configuration alternatives in a variety of settings, such as:

- Storefronts/kiosks: Mount LCD monitors for easy viewing and add touchscreens for interactivity.
- Trade shows: Securely mount LCD TVs or monitors in common areas and quickly remove them for safekeeping at the end of the day.
- Front office environments: Minimize desk space requirements with wall or swing-arm mounting of monitors in

### Technical Specifications

reception areas.

- Training labs: Mount a monitor directly on a 100 mm VESA-compatible PC or an HP Thin Client for all-in-one convenience.
- Medical/institutional settings: Securely mount monitors in nursing stations and public areas.
- Conference rooms: Mount projectors (with 100 mm VESA-compliant pre-drilled holes) on ceilings, and monitors on walls or tables.

#### Mechanical

#### Dimensions (H x W x D)

Packaged: **19,8 x 15,9 x 3,8 cm** (7.8 x 6.25 x 1.5 in)

Unpackaged: **16 x 13,2 x 1,65 cm** (6.3 x 5.2 x 0.65 in)

#### Weight

Packaged: **0,49 kg** (1.1 lb)

Unpackaged: **0.37 kg** (0.82 lb)

#### Additional components

Eight 10 mm mounting screws (for attachment to VESA compliant monitor mounts)

Eight 15.5 mm mounting screws (for attachment to HP Thin Client products)

Four 20 mm mounting screws (for attachment to back of select HP flat panel monitor stands)

One Quick Release "locking" screw

Carbonite

#### Color

#### Notes:

1. No HP monitors allow positioning of a thin client product between a monitor screen and its stand.
2. The Quick Release device is not to be used between a monitor screen and its stand unless provided that way from the factory.
3. Under no circumstances is the Quick Release device intended to be used in an orientation where the Release/Lock lever is oriented downward.

#### Supported weight capacity

The HP Quick Release has been designed to support a maximum of up to 10.9 kg (24 lbs) depending upon the mounting configuration used. Please note this is a total weight limit for all devices mounted, i.e. the combined weight of the monitor and a second device such as an HP Thin Client cannot exceed 24 pounds. Because mounting surfaces vary widely and the final mounting method and configuration may vary, mounting fasteners are not supplied (other than the VESA-compliant screws). HP recommends that you consult with a qualified engineering, architectural or construction professional to determine the appropriate type and quantity of mounting fasteners required for your application and to ensure that your mounting solution is properly installed to support applied loads.

© Copyright 2009 Hewlett-Packard Development Company, L.P.

Microsoft, Windows, and Windows Vista are trademarks of the Microsoft group of companies. ENERGY STAR is a registered mark owned by the U.S. government.

The information contained herein is subject to change without notice. The only warranties for HP products and services are set forth in the express warranty statements accompanying such products and services. Nothing herein should be construed as constituting an additional warranty. HP shall not be liable for technical or editorial errors or omissions



### *Technical Specifications*

contained herein.