

Hardware Reference Guide - dc5700 Small Form Factor Model

HP Compaq Business PC



© Copyright 2006 Hewlett-Packard Development Company, L.P. The information contained herein is subject to change without notice.

Microsoft and Windows are trademarks of Microsoft Corporation in the U.S. and other countries.

The only warranties for HP products and services are set forth in the express warranty statements accompanying such products and services. Nothing herein should be construed as constituting an additional warranty. HP shall not be liable for technical or editorial errors or omissions contained herein.

This document contains proprietary information that is protected by copyright. No part of this document may be photocopied, reproduced, or translated to another language without the prior written consent of Hewlett-Packard Company.

Hardware Reference Guide

HP Compaq Business PC

dc5700 Small Form Factor Model

First Edition (October 2006)

Document Part Number: 433186-001

About This Book

This guide provides basic information for upgrading this computer model.



WARNING! Text set off in this manner indicates that failure to follow directions could result in bodily harm or loss of life.



CAUTION Text set off in this manner indicates that failure to follow directions could result in damage to equipment or loss of information.



NOTE Text set off in this manner provides important supplemental information.

Table of contents

1 Product Features

Standard Configuration Features	1
Front Panel Components	2
Rear Panel Components	3
Keyboard	4
Using the Windows Logo Key	5
Special Mouse Functions	6
Serial Number Location	6

2 Hardware Upgrades

Serviceability Features	7
Warnings and Cautions	7
Using the Small Form Factor Computer in a Tower Orientation	8
Removing the Computer Access Panel	10
Replacing the Computer Access Panel	11
Removing the Front Bezel	12
Removing Bezel Blanks	13
Replacing the Front Bezel	14
Installing Additional Memory	15
DIMMs	15
DDR2-SDRAM DIMMs	15
Populating DIMM Sockets	16
Installing DIMMs	17
Removing or Installing an Expansion Card	20
Drive Positions	26
Installing and Removing Drives	27
Removing an Optical Drive	28
Installing an Optical Drive into the 5.25-inch External Drive Bay	29
Removing a Diskette Drive	32
Installing a Diskette Drive into the 3.5-inch External Drive Bay	34
Removing and Replacing the Primary 3.5-inch Internal SATA Hard Drive	37

Appendix A Specifications

Appendix B Battery Replacement

Appendix C External Security Devices

Installing a Security Lock	49
----------------------------------	----

Cable Lock	49
Padlock	50

Appendix D Electrostatic Discharge

Preventing Electrostatic Damage	51
Grounding Methods	51

Appendix E Computer Operating Guidelines, Routine Care and Shipping Preparation

Computer Operating Guidelines and Routine Care	53
Optical Drive Precautions	54
Operation	54
Cleaning	54
Safety	54
Shipping Preparation	54

Index	55
--------------------	-----------

1 Product Features

Standard Configuration Features

The HP Compaq Small Form Factor features may vary depending on the model. For a complete listing of the hardware and software installed in the computer, run the diagnostic utility (included on some computer models only). Instructions for using the utility are provided in the *Troubleshooting Guide* on the *Documentation and Diagnostics CD*.



NOTE The Small Form Factor computer can also be used in a tower orientation. For more information, see the [Using the Small Form Factor Computer in a Tower Orientation](#) section in this guide.



Figure 1-1 Small Form Factor Configuration

Front Panel Components

Drive configuration may vary by model.

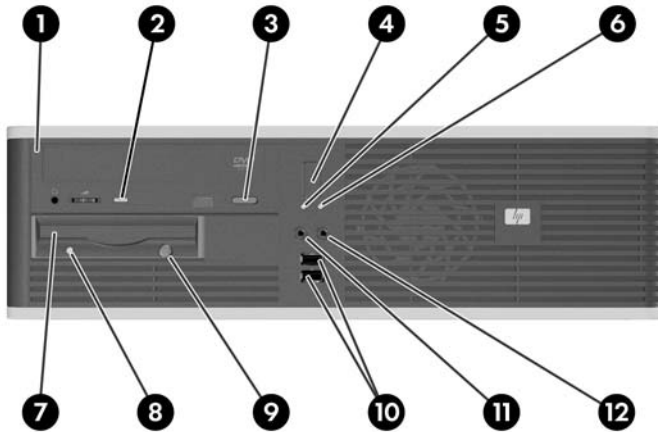


Table 1-1 Front Panel Components

1	5.25-inch Optical Drive ¹	7	3.5-inch Diskette Drive (optional) ²
2	Optical Drive Activity Light	8	Diskette Drive Activity Light (optional)
3	Optical Drive Eject Button	9	Diskette Eject Button (optional)
4	Dual-State Power Button	10	USB (Universal Serial Bus) 2.0 Ports
5	Hard Drive Activity Light	11	Microphone Connector
6	Power On Light	12	Headphone Connector



NOTE An optical drive is a CD-ROM , CD-R/RW, DVD-ROM , DVD+R/RW, or CD-RW/DVD Combo drive.

The Power On Light is normally green when the power is on. If it is flashing red, there is a problem with the computer and it is displaying a diagnostic code. Refer to the *Troubleshooting Guide* on the *Documentation and Diagnostics CD* to interpret the code.

¹ Some models have a bezel blank covering the 5.25-inch drive bay.

² Some models have a bezel blank covering the 3.5-inch drive bay. An optional media card reader is available from HP for this drive bay. You can also install a second SATA hard drive in this drive bay.

Rear Panel Components

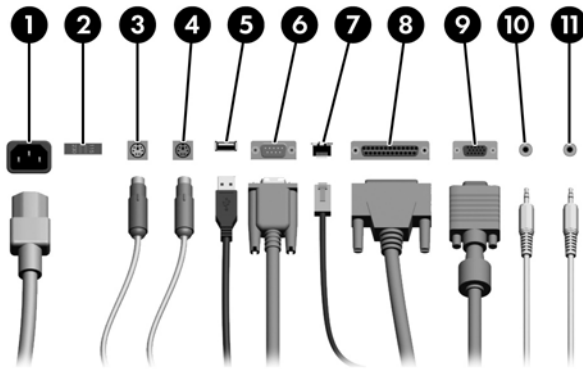


Table 1-2 Rear Panel Components

1	Power Cord Connector	7	 RJ-45 Network Connector
2	Voltage Select Switch	8	 Parallel Connector
3	 PS/2 Mouse Connector (green)	9	 Monitor Connector
4	 PS/2 Keyboard Connector (purple)	10	 Line-Out Connector for powered audio devices (green)
5	 Universal Serial Bus (USB)	11	 Line-In Audio Connector (blue)
6	IO/IO Serial Connector		



NOTE Arrangement and number of connectors may vary by model.

If a PCI graphics card is installed, the connectors on the card and the system board may be used at the same time. Some settings may need to be changed in Computer Setup to use both connectors. For information about Boot Order, refer to the *Computer Setup (F10) Utility Guide* on the *Documentation and Diagnostics CD*.

The Line-In and Line-Out audio connectors can be “retasked” to work as either Line-In, Line-Out, or Microphone connectors by clicking the Realtek HD Audio Manager icon (a red speaker) in the task tray or the Realtek entry in the operating system’s Control Panel and selecting the Retasking Enable button.

Keyboard

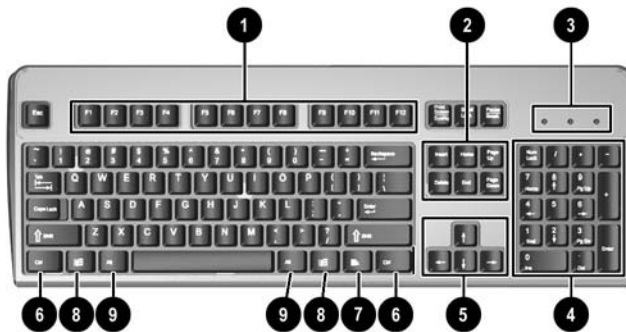


Table 1-3 Keyboard Components

1	Function Keys	Perform special functions depending on the software application being used.
2	Editing Keys	Includes the following: Insert, Home, Page Up, Delete, End, and Page Down.
3	Status Lights	Indicate the status of the computer and keyboard settings (Num Lock, Caps Lock, and Scroll Lock).
4	Numeric Keys	Work like a calculator keypad.
5	Arrow Keys	Used to navigate through a document or Web site. These keys allow you to move left, right, up, and down, using the keyboard instead of the mouse.
6	Ctrl Keys	Used in combination with another key; their effect depends on the application software you are using.
7	Application Key ¹	Used (like the right mouse button) to open pop-up menus in a Microsoft Office application. May perform other functions in other software applications.
8	Windows Logo Keys ¹	Used to open the Start menu in Microsoft Windows. Used in combination with other keys to perform other functions.
9	Alt Keys	Used in combination with another key; their effect depends on the application software you are using.

¹ Keys available in select geographic regions.

Using the Windows Logo Key

Use the Windows Logo key in combination with other keys to perform certain functions available in the Windows operating system. Refer to the [Keyboard](#) section to identify the Windows Logo key.

Windows Logo Key	Displays or hides the Start menu
Windows Logo Key + d	Displays the Desktop
Windows Logo Key + m	Minimizes all open applications
Shift + Windows Logo Key + m	Undoes Minimize All
Windows Logo Key + e	Launches My Computer
Windows Logo Key + f	Launches Find Document
Windows Logo Key + Ctrl + f	Launches Find Computer
Windows Logo Key + F1	Launches Windows Help
Windows Logo Key + l	Locks the computer if you are connected to a network domain, or allows you to switch users if you are not connected to a network domain
Windows Logo Key + r	Launches the Run dialog box
Windows Logo Key + u	Launches the Utility Manager
Windows Logo Key + Tab	Activates the next Taskbar button

Special Mouse Functions

Most software applications support the use of a mouse. The functions assigned to each mouse button depend on the software applications you are using.

Serial Number Location

Each computer has a unique serial number and product ID number located on the left side of the computer. Keep these numbers available for use when contacting customer service for assistance.



Figure 1-2 Serial Number and Product ID Location

2 Hardware Upgrades

Serviceability Features

The computer includes features that make it easy to upgrade and service. No tools are needed for most of the installation procedures described in this chapter.

Warnings and Cautions

Before performing upgrades be sure to carefully read all of the applicable instructions, cautions, and warnings in this guide.



WARNING! To reduce the risk of personal injury from electrical shock, hot surfaces, or fire:

Disconnect the power cord from the wall outlet and allow the internal system components to cool before touching.

Do not plug telecommunications or telephone connectors into the network interface controller (NIC) receptacles.

Do not disable the power cord grounding plug. The grounding plug is an important safety feature.

Plug the power cord in a grounded (earthed) outlet that is easily accessible at all times.

To reduce the risk of serious injury, read the *Safety & Comfort Guide*. It describes proper workstation, setup, posture, and health and work habits for computer users, and provides important electrical and mechanical safety information. This guide is located on the Web at <http://www.hp.com/ergo> and on the *Documentation and Diagnostics CD*.




CAUTION Static electricity can damage the electrical components of the computer or optional equipment. Before beginning these procedures, ensure that you are discharged of static electricity by briefly touching a grounded metal object. See Appendix D, [Electrostatic Discharge](#) for more information.

When the computer is plugged into an AC power source, voltage is always applied to the system board. You must disconnect the power cord from the power source before opening the computer to prevent damage to internal components.

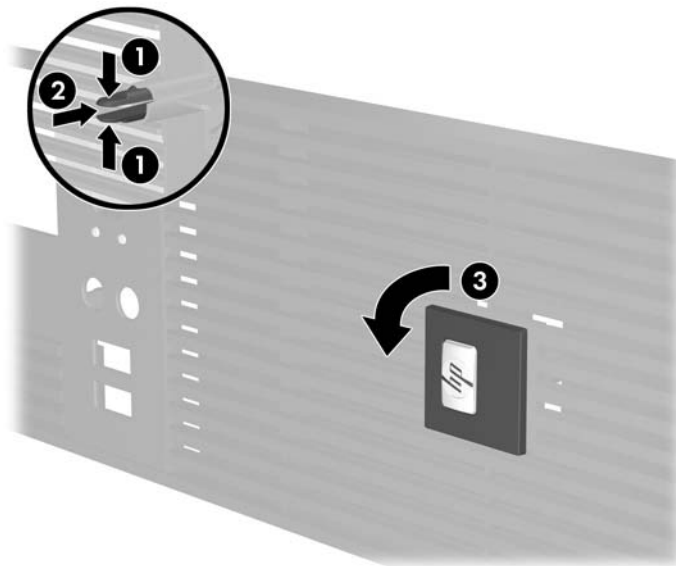
Using the Small Form Factor Computer in a Tower Orientation

The Small Form Factor computer can be used in a tower orientation by purchasing an optional tower stand. The HP logo plate on the front bezel is adjustable for either desktop or tower orientation.

1. Remove/disengage any security devices that prohibit opening the computer.
2. Remove all removable media, such as diskettes or compact discs, from the computer.
3. Turn off the computer properly through the operating system, then turn off any external devices.
4. Disconnect the power cord from the power outlet and disconnect any external devices.

 **CAUTION** Regardless of the power-on state, voltage is always present on the system board as long as the system is plugged into an active AC outlet. You must disconnect the power cord to avoid damage to the internal components of the computer.

5. Remove the access panel.
6. Remove the front bezel.
7. Squeeze together the two sides of the peg on the back side of the logo plate (1) and push the peg inwards towards the front side of the bezel (2).
8. Rotate the plate 90 degrees (3) then pull back on the peg to lock the logo plate in place.



9. Replace the front bezel.
10. Replace the access panel.

11. Lift the computer so that its right side is facing down (1) and place it on the stand (2).



Figure 2-1 Changing from Desktop to Tower Orientation

12. Reconnect the power cord and any external devices, then turn on the computer.
13. Lock any security devices that were disengaged when the access panel was removed.




CAUTION Do not place the computer on its side without the tower stand. The stand is required to prevent the computer from falling on its side and damaging the unit.



NOTE Ensure at least 10.2 centimeters (4 inches) of space on all sides of the computer remains clear and free of obstructions.

Removing the Computer Access Panel

1. Remove/disengage any security devices that prohibit opening the computer.
2. Remove all removable media, such as diskettes or compact discs, from the computer.
3. Turn off the computer properly through the operating system, then turn off any external devices.
4. Disconnect the power cord from the power outlet and disconnect any external devices.

 **CAUTION** Regardless of the power-on state, voltage is always present on the system board as long as the system is plugged into an active AC outlet. You must disconnect the power cord to avoid damage to the internal components of the computer.

5. Push down on the button (1) to release the latch that secures the access panel to the computer chassis.
6. Slide the access panel back (2) about 1.3 cm (1/2 inch), then lift it off the unit.

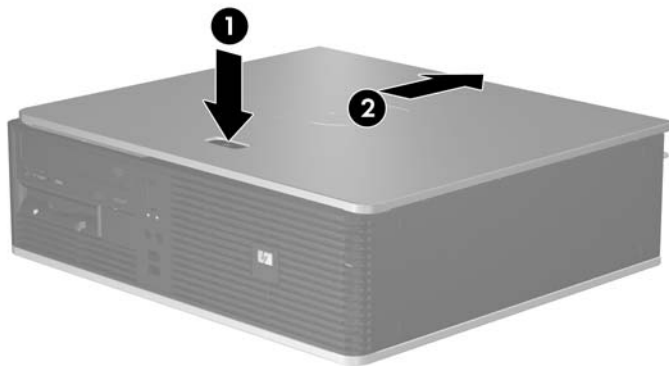


Figure 2-2 Removing the Computer Access Panel

Replacing the Computer Access Panel


Place the access panel in the proper position on the chassis with about 1.3 cm (1/2 inch) of the access panel hanging off the back of the computer and slide it into place.



Figure 2-3 Replacing the Computer Access Panel

Removing the Front Bezel

1. Remove/disengage any security devices that prohibit opening the computer.
2. Remove all removable media, such as diskettes or compact discs, from the computer.
3. Turn off the computer properly through the operating system, then turn off any external devices.
4. Disconnect the power cord from the power outlet and disconnect any external devices.

 **CAUTION** Regardless of the power-on state, voltage is always present on the system board as long as the system is plugged into an active AC outlet. You must disconnect the power cord to avoid damage to the internal components of the computer.

5. Remove the access panel.
6. Press the green latch behind the upper right side of the bezel (1) and pull the right side of the bezel off the chassis (2), then the left side.

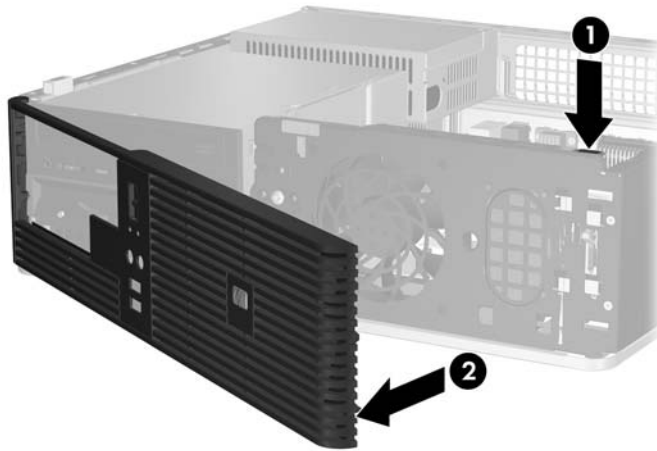


Figure 2-4 Removing the Front Bezel

Removing Bezel Blanks

On some models, there are bezel blanks covering the 3.5-inch and 5.25-inch external drive bays that need to be removed before installing a drive. To remove a bezel blank:

1. Remove the front bezel.
2. Push the two retaining tabs that hold the bezel blank in place towards the outer left edge of the bezel (1) and pull the bezel blank inwards to remove it (2).

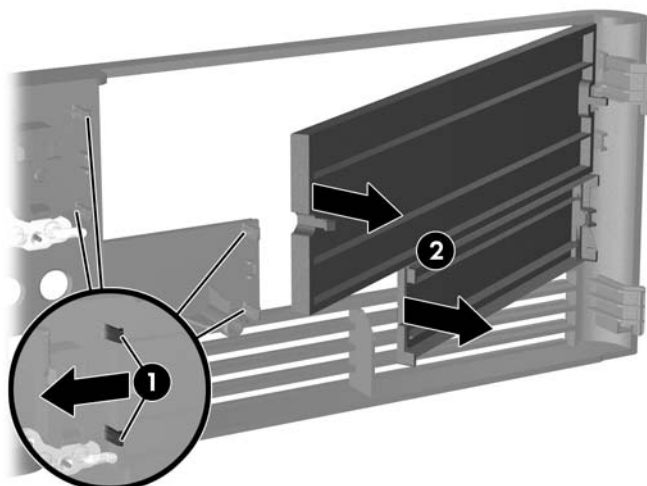


Figure 2-5 Removing a Bezel Blank

3. Replace the front bezel.

Replacing the Front Bezel

Insert the two hooks on the left side of the bezel into the rectangular holes on the chassis (1) then rotate the right side of the bezel onto the chassis (2) and snap it into place.

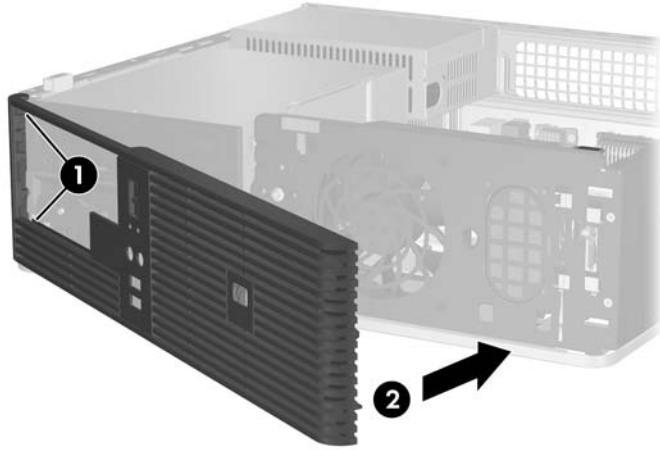


Figure 2-6 Replacing the Front Bezel

Installing Additional Memory

The computer comes with double data rate 2 synchronous dynamic random access memory (DDR2-SDRAM) dual inline memory modules (DIMMs).

DIMMs

The memory sockets on the system board can be populated with up to four industry-standard DIMMs. These memory sockets are populated with at least one preinstalled DIMM. To achieve the maximum memory support, you can populate the system board with up to 4 GB of memory configured in a high-performing dual channel mode.

DDR2-SDRAM DIMMs

For proper system operation, the DDR2-SDRAM DIMMs must be:

- industry-standard 240-pin
- unbuffered PC2-5300 667 MHz-compliant
- 1.8 volt DDR2-SDRAM DIMMs

The DDR2-SDRAM DIMMs must also:

- support CAS latency 4 and 5 for DDR2/667 MHz
- contain the mandatory JEDEC SPD information

In addition, the computer supports:

- 256Mbit, 512Mbit, and 1Gbit non-ECC memory technologies
- single-sided and double-sided DIMMs
- DIMMs constructed with x8 and x16 DDR devices; DIMMs constructed with x4 SDRAM are not supported



NOTE The system will not start if you install unsupported DIMMs.

Populating DIMM Sockets

There are four DIMM sockets on the system board, with two sockets per channel. The sockets are labeled XMM1, XMM2, XMM3, and XMM4. Sockets XMM1 and XMM2 operate in memory channel A. Sockets XMM3 and XMM4 operate in memory channel B.

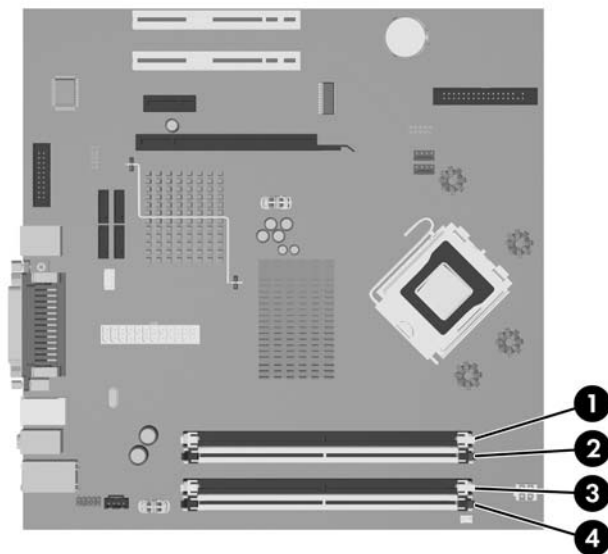


Figure 2-7 DIMM Socket Locations

Item	Description	Socket Color
1	DIMM socket XMM1, Channel A (populate first)	Black
2	DIMM socket XMM2, Channel A	White
3	DIMM socket XMM3, Channel B (populate second)	Black
4	DIMM socket XMM4, Channel B	White

The system will automatically operate in single channel mode, dual channel mode, or flex mode, depending on how the DIMMs are installed.

- The system will operate in single channel mode if the DIMM sockets are populated in one channel only.
- The system will operate in a higher-performing dual channel mode if the total memory capacity of the DIMMs in Channel A is equal to the total memory capacity of the DIMMs in Channel B. The technology and device width can vary between the channels. For example, if Channel A is populated with two 256MB DIMMs and Channel B is populated with one 512MB DIMM, the system will operate in dual channel mode.
- The system will operate in flex mode if the total memory capacity of the DIMMs in Channel A is not equal to the total memory capacity of the DIMMs in Channel B. In flex mode, the channel populated with the least amount of memory describes the total amount of memory assigned to dual channel and the remainder is assigned to single channel. For optimal speed, the channels should be balanced so that the largest amount of memory is spread between the two channels. For example, if you are populating the sockets with one 1GB DIMM, two 512MB DIMMs, and one 256MB DIMM,

one channel should be populated with the 1GB DIMM and one 256MB DIMM and the other channel should be populated with the two 512MB DIMMs. With this configuration, 2 GB will run as dual channel and 256 MB will run as single channel.

- In any mode, the maximum operational speed is determined by the slowest DIMM in the system.

Installing DIMMs



CAUTION You must disconnect the power cord and wait approximately 30 seconds for the power to drain before adding or removing memory modules. Regardless of the power-on state, voltage is always supplied to the memory modules as long as the computer is plugged into an active AC outlet. Adding or removing memory modules while voltage is present may cause irreparable damage to the memory modules or system board. If you see an LED light on the system board, voltage is still present.

The memory module sockets have gold-plated metal contacts. When upgrading the memory, it is important to use memory modules with gold-plated metal contacts to prevent corrosion and/or oxidation resulting from having incompatible metals in contact with each other.

Static electricity can damage the electronic components of the computer or optional cards. Before beginning these procedures, ensure that you are discharged of static electricity by briefly touching a grounded metal object. For more information, refer to Appendix D, [Electrostatic Discharge](#).

When handling a memory module, be careful not to touch any of the contacts. Doing so may damage the module.



NOTE You must remove the optical drive to add or remove memory modules.

1. Remove/disengage any security devices that prohibit opening the computer.
2. Remove all removable media, such as diskettes or compact discs, from the computer.
3. Turn off the computer properly through the operating system, then turn off any external devices.
4. Disconnect the power cord from the power outlet and disconnect any external devices.



CAUTION You must disconnect the power cord and wait approximately 30 seconds for the power to drain before adding or removing memory modules. Regardless of the power-on state, voltage is always supplied to the memory modules as long as the computer is plugged into an active AC outlet. Adding or removing memory modules while voltage is present may cause irreparable damage to the memory modules or system board. If you see an LED light on the system board, voltage is still present.

5. If the computer is on a stand, remove the computer from the stand.
6. Remove the access panel.
7. Locate the memory module sockets on the system board.



WARNING! To reduce risk of personal injury from hot surfaces, allow the internal system components to cool before touching.

8. Disconnect the power and data cables from the back of the optical drive.

9. Press down on the lever to the left of the drive (1), slide the drive back until it stops, and lift it straight up and out the drive bay (2).



NOTE Hold the front and back of the drive when lifting it out of the drive bay.

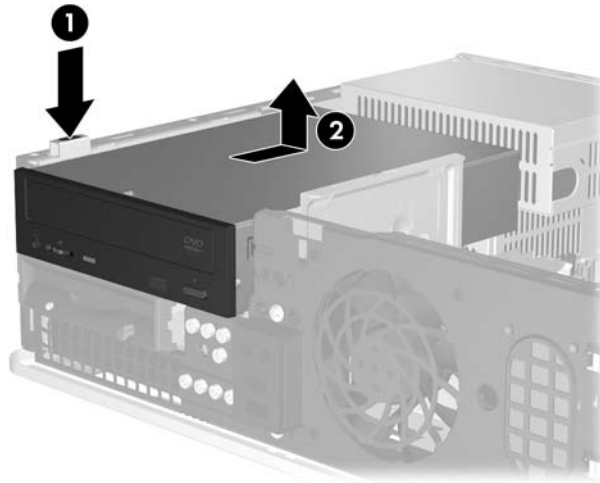


Figure 2-8 Removing the Optical Drive

10. Rotate the optical drive retainer to its upright position to access the memory module sockets.

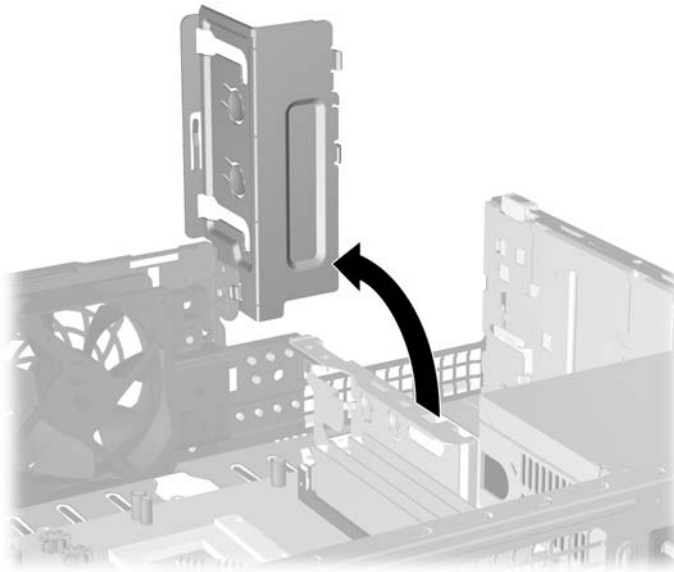


Figure 2-9 Rotating Optical Drive Retainer Up

11. Open both latches of the memory module socket (1), and insert the memory module into the socket (2).

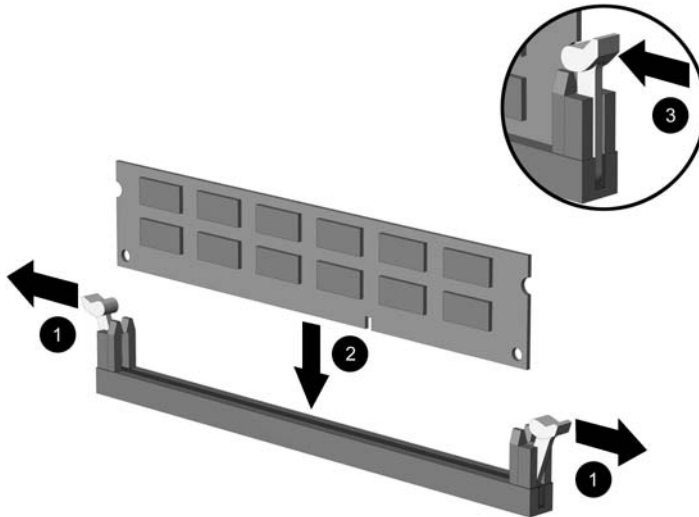


Figure 2-10 Installing a DIMM



NOTE A memory module can be installed in only one way. Match the notch on the module with the tab on the memory socket.

For maximum performance, populate the sockets so that the memory capacity is spread as equally as possible between Channel A and Channel B. Refer to [Populating DIMM Sockets](#) for more information.

12. Push the module down into the socket, ensuring that the module is fully inserted and properly seated. Make sure the latches are in the closed position (3).
13. Repeat steps 11 and 12 to install any additional modules.
14. Replace the access panel.
15. If the computer was on a stand, replace the stand.
16. Reconnect the power cord and any external devices, then turn on the computer. The computer should automatically recognize the additional memory when you turn on the computer.
17. Lock any security devices that were disengaged when the access panel was removed.

Removing or Installing an Expansion Card

The computer has two standard low-profile PCI expansion slots that can accommodate an expansion card up to 17.46 cm (6.875 inches) in length. The computer also has one PCI Express x1 expansion slot and one ADD2/SDVO expansion slot.

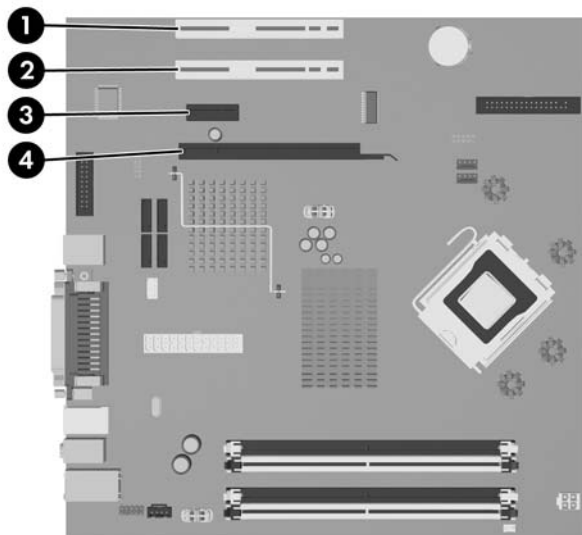


Figure 2-11 Expansion Slot Locations

Item	Description
1	PCI expansion slot
2	PCI expansion slot
3	PCI Express x1 expansion slot
4	ADD2/SDVO expansion slot



NOTE The dc5700 platform only supports the use of normal (or non-reversed) layout ADD2 (Advanced Digital Display 2) adapter cards inserted into the SDVO (Serial Digital Video Output) connector on the platform's system board. ADD2 cards are used to give multi-monitor capabilities to the integrated graphics controller.

The ADD2/SDVO connector on the system board has the physical appearance of a PCI Express x16 connector; however, the platform does NOT support the use of conventional PCI Express cards or reversed-layout ADD2 cards.

To install an expansion card:

1. Remove/disengage any security devices that prohibit opening the computer.
2. Remove all removable media, such as diskettes or compact discs, from the computer.
3. Turn off the computer properly through the operating system, then turn off any external devices.
4. Disconnect the power cord from the power outlet and disconnect any external devices.



CAUTION Regardless of the power-on state, voltage is always present on the system board as long as the system is plugged into an active AC outlet. You must disconnect the power cord to avoid damage to the internal components of the computer.

5. If the computer is on a stand, remove the computer from the stand.
6. Remove the access panel.
7. Locate the correct vacant expansion socket on the system board and the corresponding expansion slot on the back of the computer chassis.
8. Remove the slot cover retainer that secures the slot covers by lifting the retainer up then out and away from the chassis.

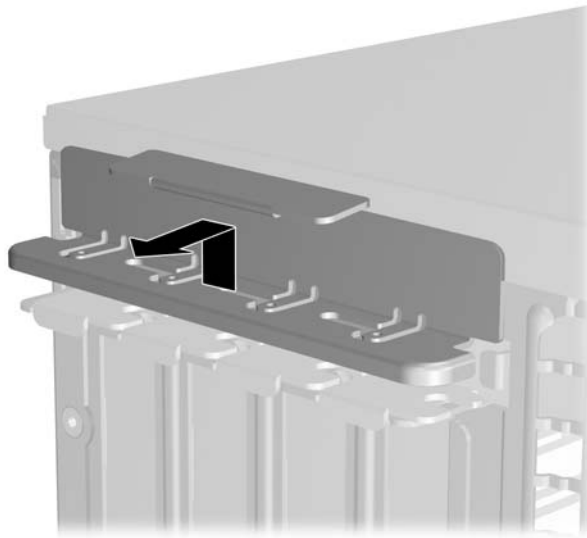


Figure 2-12 Removing the Expansion Slot Retainer

9. Before installing an expansion card, remove the expansion slot cover or the existing expansion card.
 - a. If you are installing an expansion card in a vacant socket, remove the appropriate expansion slot cover on the back of the chassis. Pull the slot cover straight up then back toward the inside of the chassis.

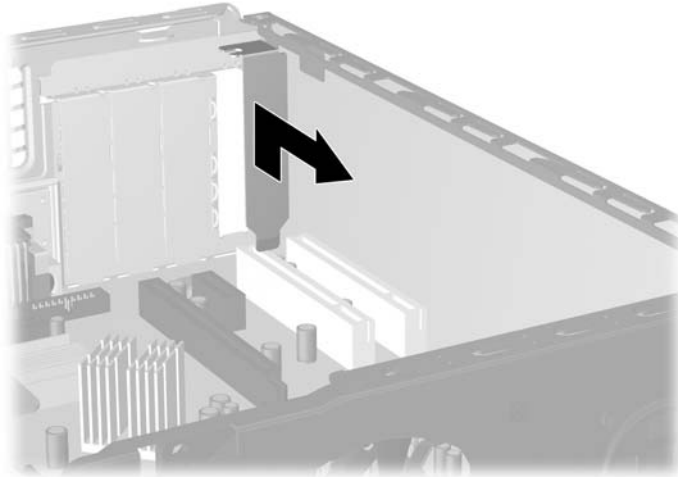


Figure 2-13 Removing an Expansion Slot Cover



NOTE Before removing an installed expansion card, disconnect any cables that may be attached to the expansion card.

- b. If you are removing a standard PCI card, hold the card at each end, and carefully rock it back and forth until the connectors pull free from the socket. Pull the expansion card straight up from the socket then back toward the inside of the chassis to release it from the chassis frame. Be sure not to scrape the card against the other components.

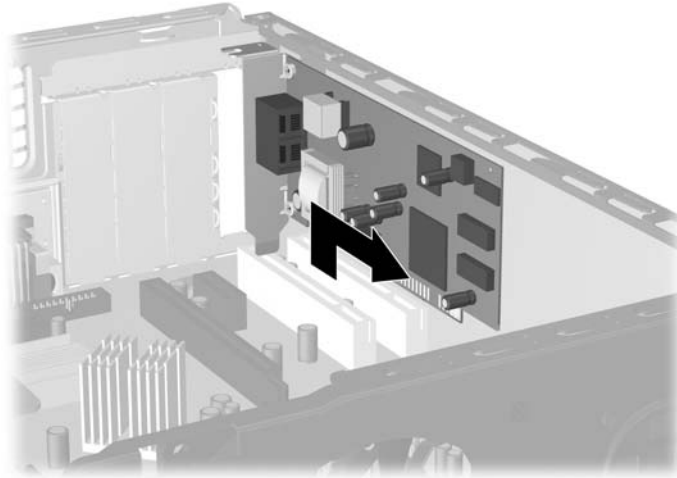


Figure 2-14 Removing a Standard PCI Expansion Card

- c. If you are removing a ADD2/SDVO card, pull the retention arm on the back of the expansion socket away from the card and carefully rock the card back and forth until the connectors pull free from the socket. Pull the expansion card straight up from the socket then back toward the inside of the chassis to release it from the chassis frame. Be sure not to scrape the card against the other components.

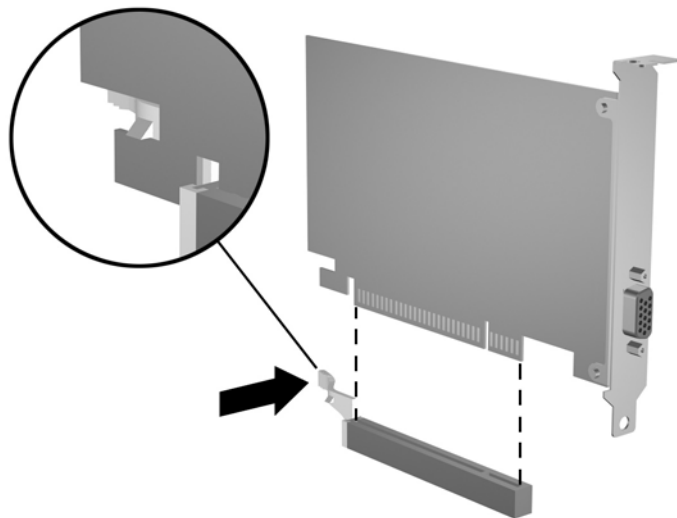


Figure 2-15 Removing a ADD2/SDVO Expansion Card

10. Store the removed card in anti-static packaging.
11. If you are not installing a new expansion card, install an expansion slot cover to close the open slot.



CAUTION After removing an expansion card, you must replace it with a new card or expansion slot cover for proper cooling of internal components during operation.

12. To install a new expansion card, hold the card just above the expansion socket on the system board then move the card toward the rear of the chassis so that the bracket on the card is aligned with the open slot on the rear of the chassis. Press the card straight down into the expansion socket on the system board.

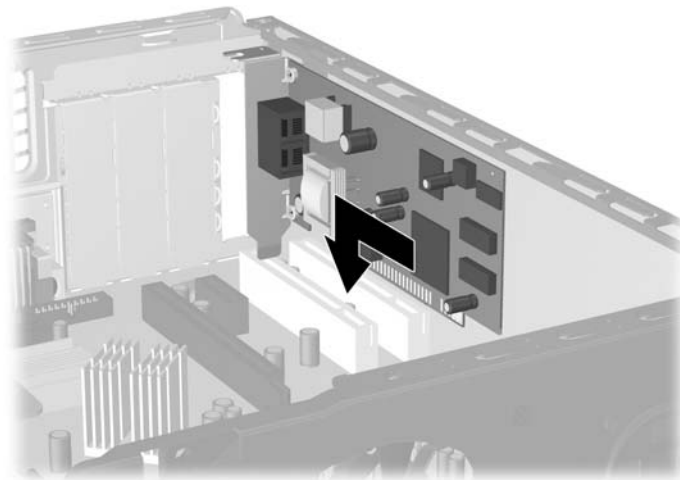


Figure 2-16 Installing an Expansion Card



NOTE When installing an expansion card, press firmly on the card so that the whole connector seats properly in the expansion card slot.

13. Replace the slot cover retainer.

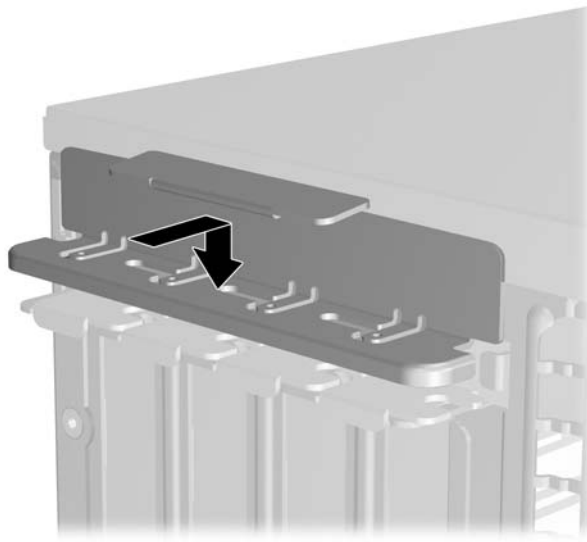


Figure 2-17 Replacing the Slot Cover Retainer



NOTE The slot cover retainer is secured in place by the access panel.

14. Connect external cables to the installed card, if needed. Connect internal cables to the system board, if needed.
15. Replace the access panel.
16. If the computer was on a stand, replace the stand.
17. Reconnect the power cord and any external devices, then turn on the computer.
18. Lock any security devices that were disengaged when the access panel was removed.
19. Reconfigure the computer, if necessary. Refer to the *Computer Setup (F10) Utility Guide* on the *Documentation and Diagnostics CD* for instructions about using Computer Setup.

Drive Positions

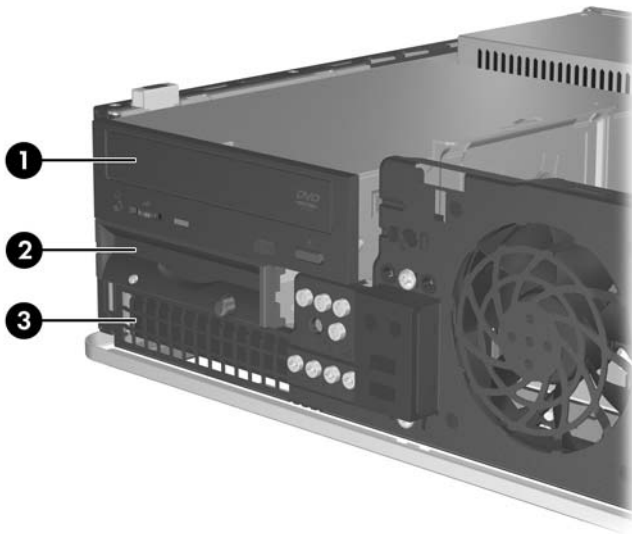


Figure 2-18 Drive Positions

-
- | | |
|---|---|
| 1 | 5.25-inch external drive bay for optional drives (optical drive shown) |
| 2 | 3.5-inch external drive bay for optional drives (diskette drive shown) ¹ |
| 3 | 3.5-inch internal hard drive bay |
-

¹ You can install a diskette drive, a media card reader, or a second SATA hard drive in the external 3.5-inch bay.

To verify the type, size, and capacity of the storage devices installed in the computer, run Computer Setup. Refer to the *Computer Setup (F10) Utility Guide* on the *Documentation and Diagnostics CD* for more information.

Installing and Removing Drives

When installing additional drives, follow these guidelines:

- The primary Serial ATA (SATA) hard drive must be connected to the dark blue SATA connector on the system board labeled SATA0.
- Connect a SATA optical drive to the white SATA connector on the system board labeled SATA1.
- Always populate the dark blue SATA0 and white SATA1 connectors before the light blue SATA4 and orange SATA5 connectors.
- Connect additional SATA hard drives to the next available (unpopulated) SATA connector on the system board in the following order: SATA0, SATA1, SATA5, SATA4.
- Connect a diskette drive to the connector labeled FLOPPY P10.
- The system does not support Parallel ATA (PATA) optical drives or PATA hard drives.
- You may install either a third-height or a half-height drive into a half-height bay.
- You must install guide screws to ensure the drive will line up correctly in the drive cage and lock in place. HP has provided eight extra guide screws installed on the chassis behind the front bezel. Four of the guide screws are silver 6-32 standard screws used for hard drives only. The other four guide screws are black M3 metric screws used for all other drives.



CAUTION To prevent loss of work and damage to the computer or drive:

If you are inserting or removing a drive, shut down the operating system properly, turn off the computer, and unplug the power cord. Do not remove a drive while the computer is on or in standby mode.

Before handling a drive, ensure that you are discharged of static electricity. While handling a drive, avoid touching the connector. For more information about preventing electrostatic damage, refer to Appendix D, [Electrostatic Discharge](#).

Handle a drive carefully; do not drop it.

Do not use excessive force when inserting a drive.

Avoid exposing a hard drive to liquids, temperature extremes, or products that have magnetic fields such as monitors or speakers.

If a drive must be mailed, place the drive in a bubble-pack mailer or other protective packaging and label the package "Fragile: Handle With Care."



NOTE It is not necessary to remove the front bezel when removing or installing drives unless you need to remove a bezel blank or need to retrieve the extra guide screws under the front bezel. The illustrations in the following sections show the front bezel off the chassis so that it is easier to see the drives being removed or installed.

Removing an Optical Drive



CAUTION All removable media should be taken out of a drive before removing the drive from the computer.



NOTE An optical drive is a CD-ROM, CD-R/RW, DVD-ROM, DVD+R/RW, or CD-RW/DVD Combo drive.

To remove an optical drive:

1. Remove/disengage any security devices that prohibit opening the computer.
2. Remove all removable media, such as diskettes or compact discs, from the computer.
3. Turn off the computer properly through the operating system, then turn off any external devices.
4. Disconnect the power cord from the power outlet and disconnect any external devices.



CAUTION Regardless of the power-on state, voltage is always present on the system board as long as the system is plugged into an active AC outlet. You must disconnect the power cord to avoid damage to the internal components of the computer.

5. If the computer is on a stand, remove the computer from the stand.
6. Remove the access panel.
7. Disconnect the power cable (1) and data cable (2) from the rear of the optical drive.

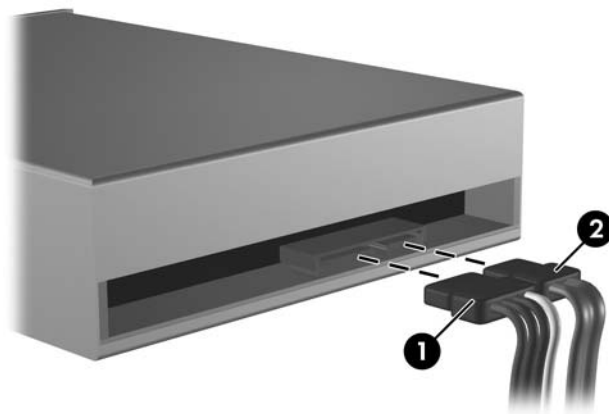


Figure 2-19 Disconnecting the Optical Drive Power and Data Cables

8. Press down on the lever to the left of the drive (1), slide the drive back until it stops, and lift it straight up and out the drive bay (2).



NOTE Hold the front and back of the drive when lifting it out of the drive bay.

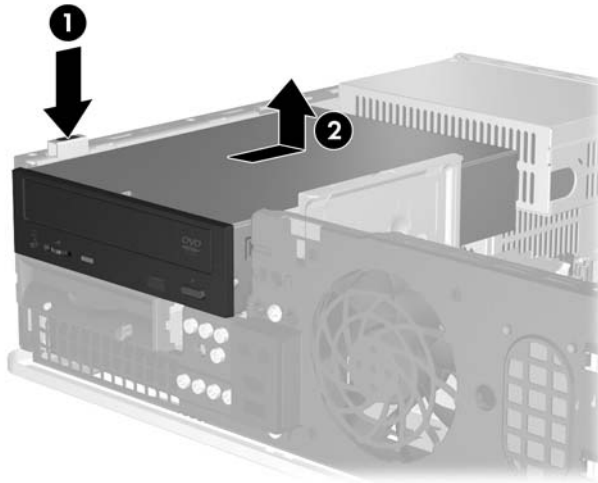


Figure 2-20 Removing the Optical Drive



NOTE To replace the optical drive, reverse the removal procedure. When replacing a drive, transfer the four guide screws from the old drive to the new one.

Installing an Optical Drive into the 5.25-inch External Drive Bay

To install an optional 5.25-inch optical drive:

1. Remove/disengage any security devices that prohibit opening the computer.
2. Remove all removable media, such as diskettes or compact discs, from the computer.
3. Turn off the computer properly through the operating system, then turn off any external devices.
4. Disconnect the power cord from the power outlet and disconnect any external devices.



CAUTION Regardless of the power-on state, voltage is always present on the system board as long as the system is plugged into an active AC outlet. You must disconnect the power cord to avoid damage to the internal components of the computer.

5. If the computer is on a stand, remove the computer from the stand.
6. Remove the access panel.
7. If necessary, remove the bezel blank covering the 5.25-inch drive bay.

8. Install two M3 metric guide screws in the lower holes on each side of the drive. HP has provided four extra M3 metric guide screws on the front of the chassis, under the front bezel. The M3 metric guide screws are black.



CAUTION Use only 5-mm long screws as guide screws. Longer screws can damage the internal components of the drive.



NOTE When replacing the drive, transfer the four M3 metric guide screws from the old drive to the new one.



Figure 2-21 Installing Guide Screws in the Optical Drive

9. Align the guide screws on the drive with the slots on the chassis. Slide the drive all the way down (1) then slide it forward (2) until it locks into place.

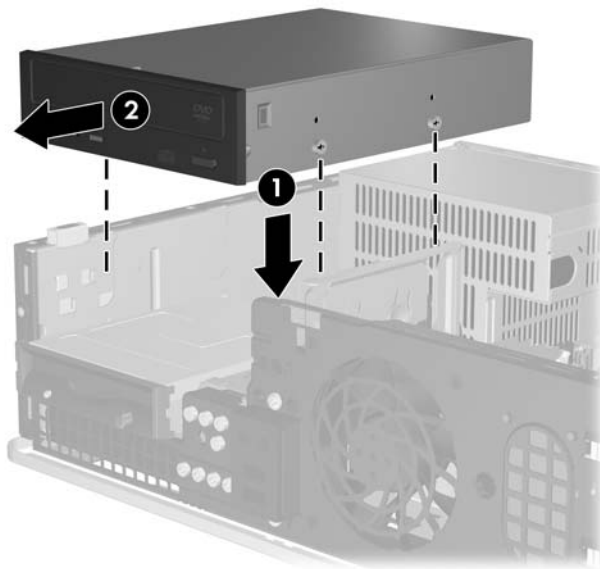


Figure 2-22 Installing the Optical Drive

10. Connect the power cable (1) and data cable (2) to the rear of the optical drive.

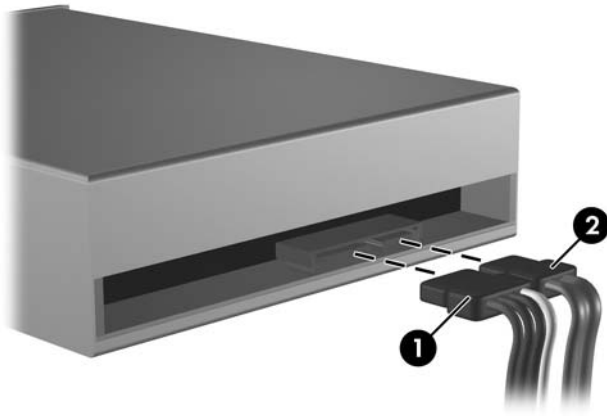


Figure 2-23 Connecting the Power and Data Cables



CAUTION Never crease or bend a SATA data cable tighter than a 30 mm (1.18 in) radius. A sharp bend can break the internal wires.

11. Connect the other end of the SATA data cable to the white system board connector labeled SATA1.
12. Replace the access panel.
13. If the computer was on a stand, replace the stand.
14. Reconnect the power cord and any external devices, then turn on the computer.
15. Lock any security devices that were disengaged when the access panel was removed.

The system automatically recognizes the drive and reconfigures the computer.

Removing a Diskette Drive

CAUTION All removable media should be taken out of a drive before removing the drive from the computer.

The diskette drive is located underneath the optical drive. You must remove the optical drive before removing the diskette drive.

1. Follow the procedure in the above section, [Removing an Optical Drive](#), to remove the optical drive and access the diskette drive.

CAUTION Regardless of the power-on state, voltage is always present on the system board as long as the system is plugged into an active AC outlet. You must disconnect the power cord to avoid damage to the internal components of the computer.

2. Disconnect the data cable (1) and power cable (2) from the back of the drive.

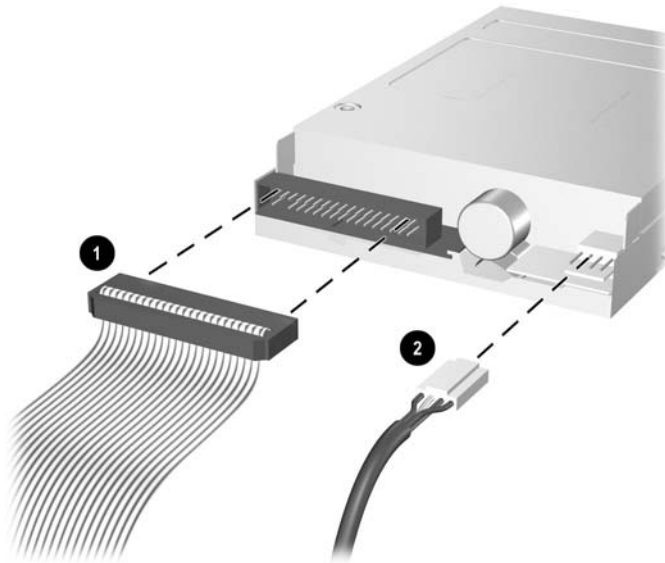


Figure 2-24 Disconnecting the Diskette Drive Cables

3. Press down on the lever to the left of the drive (1), slide the drive back until it stops, and lift it straight up (2).

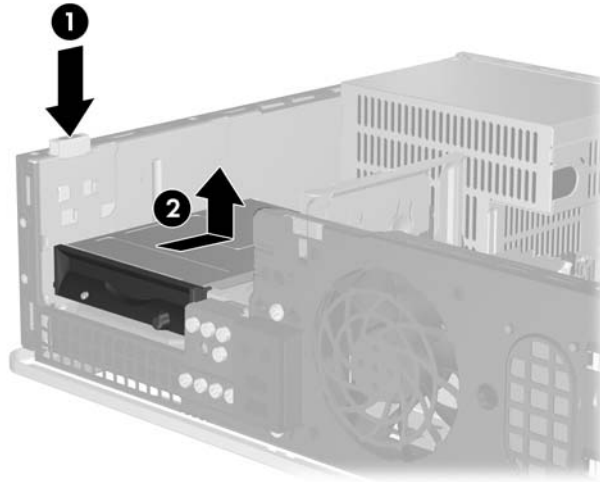


Figure 2-25 Disengaging the Diskette Drive

4. Tilt the left side of the drive down slightly (1) so that the top lips of the guide screws are not caught behind the metal frame, then pull the drive out of the drive bay (2).

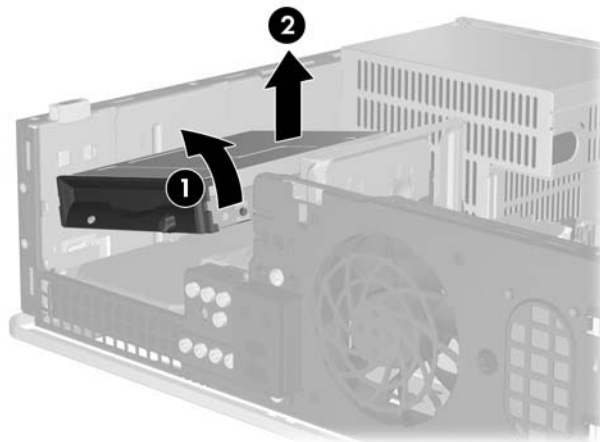


Figure 2-26 Removing the Diskette Drive



NOTE To replace the diskette drive, reverse the removal procedure. When replacing a drive, transfer the four guide screws from the old drive to the new one.

Installing a Diskette Drive into the 3.5-inch External Drive Bay

If the computer was not configured with a 3.5-inch drive, you can install a media card reader, diskette drive, or secondary hard drive into the drive bay.

The diskette drive is located underneath the optical drive. To install a diskette drive (or any other 3.5-inch drive) into the 3.5-inch external bay:

1. Follow the procedure described in the [Removing an Optical Drive](#) section to remove the optical drive and access the 3.5-inch drive bay.



CAUTION Regardless of the power-on state, voltage is always present on the system board as long as the system is plugged into an active AC outlet. You must disconnect the power cord to avoid damage to the internal components of the computer.

2. If necessary, remove the bezel blank covering the 3.5-inch drive bay.
3. Install two M3 metric guide screws in the lower holes on each side of the drive. HP has provided four extra M3 metric guide screws on the front of the chassis, under the front bezel. The M3 metric guide screws are black.



CAUTION Use only 5-mm long screws as guide screws. Longer screws can damage the internal components of the drive.



NOTE When replacing the drive, transfer the four M3 metric guide screws from the old drive to the new one.



Figure 2-27 Installing Guide Screws in the Diskette Drive

4. Align the guide screws with the slots on the chassis. Tilt the drive so that the left side is lower than the right side (1) and slide the left guide screws into the slots then the right guide screws into the slots (2).

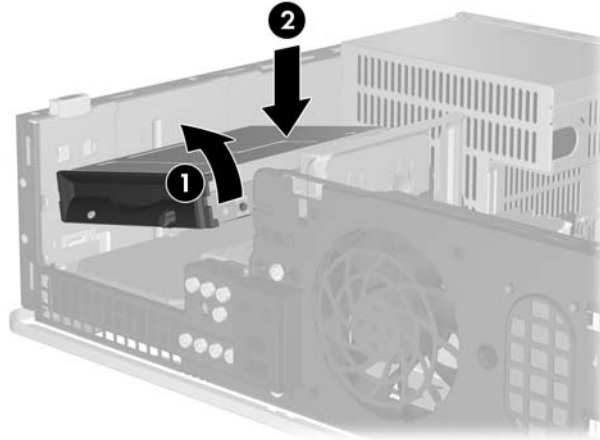


Figure 2-28 Installing a Diskette Drive

5. Slide the drive all the way down then slide it forward until it locks into place.

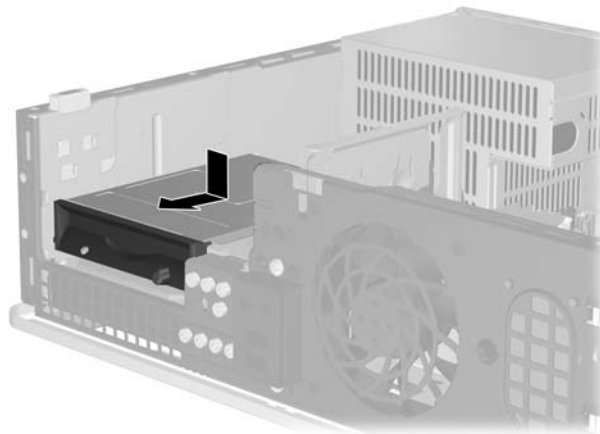


Figure 2-29 Installing a Diskette Drive

6. Connect the data cable (1) and power cable (2) to the rear of the drive. Connect the other end of the data cable to the connector on the system board labeled FLOPPY P10.

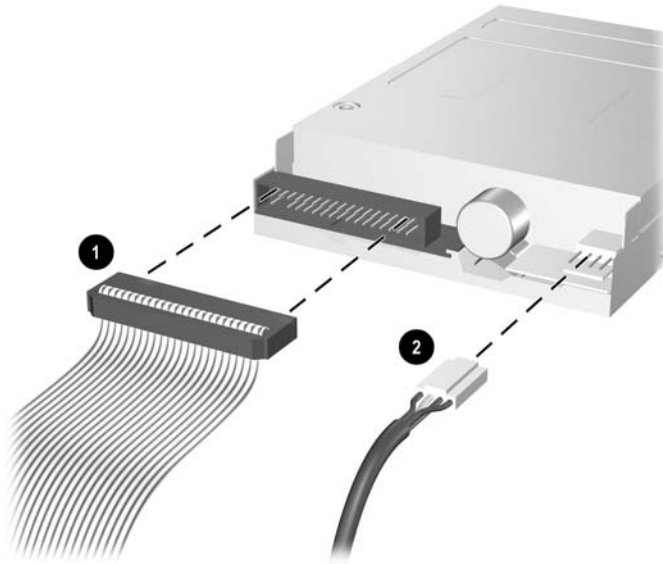


Figure 2-30 Connecting Diskette Drive Cables



NOTE If installing a second hard drive in the 3.5-inch external drive bay, connect the power and data cables to the rear of the drive and connect the other end of the data cable to the next available (unpopulated) SATA connector on the system board in the following order: SATA0, SATA1, SATA5, SATA4. Ensure that a bezel blank is installed in the front bezel to cover the opening for the external 3.5-inch drive bay.

7. Replace the optical drive.
8. Replace the access panel.
9. If the computer was on a stand, replace the stand.
10. Reconnect the power cord and any external devices, then turn on the computer.
11. Lock any security devices that were disengaged when the access panel was removed.

Removing and Replacing the Primary 3.5-inch Internal SATA Hard Drive



NOTE The system does not support Parallel ATA (PATA) hard drives.

Before you remove the old hard drive, be sure to back up the data from the old hard drive so that you can transfer the data to the new hard drive. Also, if you are replacing the primary hard drive, make sure you have the *Restore Plus!* CD set that you created when you initially set up the computer to restore the operating system, software drivers, and any software applications that were preinstalled on the computer. If you do not have this CD set, create it now. Refer to the *HP Backup and Recovery Manager User Guide* in the Windows **Start** menu for more information. You may wish to print this guide for easy reference.

The preinstalled 3.5-inch hard drive is located under the external drives. To remove and replace the hard drive:

1. Remove/disengage any security devices that prohibit opening the computer.
2. Remove all removable media, such as diskettes or compact discs, from the computer.
3. Turn off the computer properly through the operating system, then turn off any external devices.
4. Disconnect the power cord from the power outlet and disconnect any external devices.



CAUTION Regardless of the power-on state, voltage is always present on the system board as long as the system is plugged into an active AC outlet. You must disconnect the power cord to avoid damage to the internal components of the computer.

5. If the computer is on a stand, remove the computer from the stand.
6. Remove the access panel.
7. Disconnect the power and data cables from the back of the optical drive.

8. Press down on the lever to the left of the optical drive (1), slide the optical drive back until it stops, and lift it straight up and out the drive bay (2).



NOTE Hold the front and back of the drive when lifting it out of the drive bay.

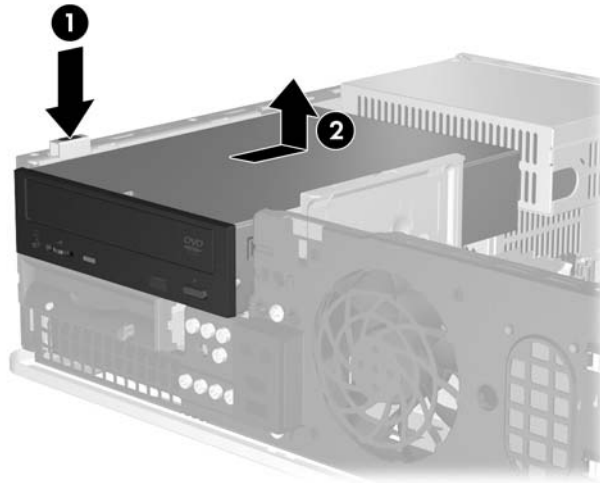


Figure 2-31 Removing the Optical Drive

9. Disconnect the power and data cables from the back of the diskette drive.
10. Press down on the lever to the left of the diskette drive (1), slide the diskette drive back until it stops, and lift it straight up (2).

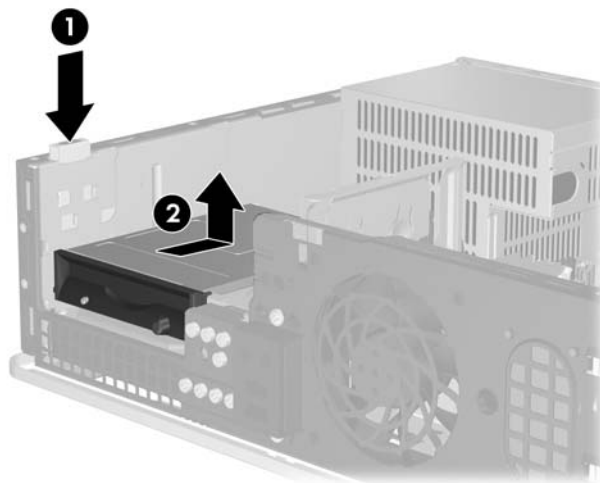


Figure 2-32 Disengaging the Diskette Drive

11. Tilt the left side of the diskette drive down slightly (1) so that the top lips of the guide screws are not caught behind the metal frame, then pull the drive out of the drive bay (2).

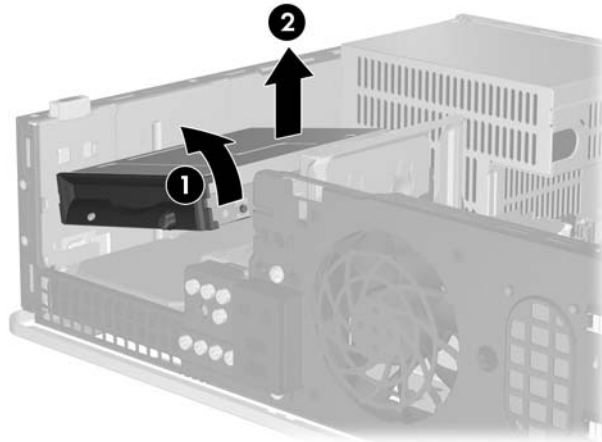


Figure 2-33 Removing the Diskette Drive

12. Disconnect the power cable (1) and data cable (2) from the back of the hard drive.

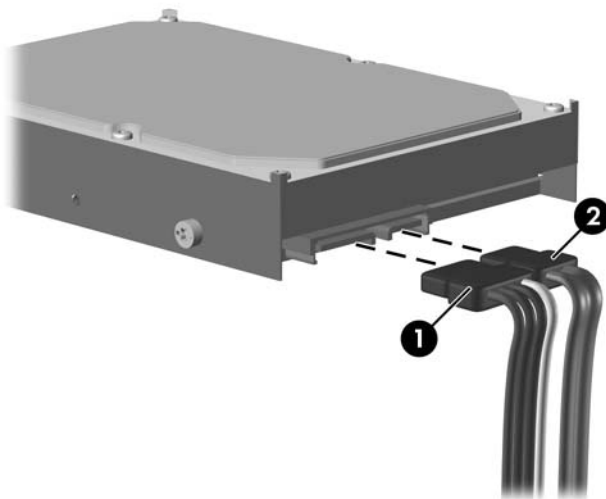


Figure 2-34 Disconnecting the Hard Drive Power Cable and Data Cable



CAUTION Never crease or bend a SATA data cable tighter than a 30 mm (1.18 in) radius. A sharp bend can break the internal wires.

13. Press down on the lever to the left of the hard drive (1), slide the drive back until it stops, and lift it straight up (2).

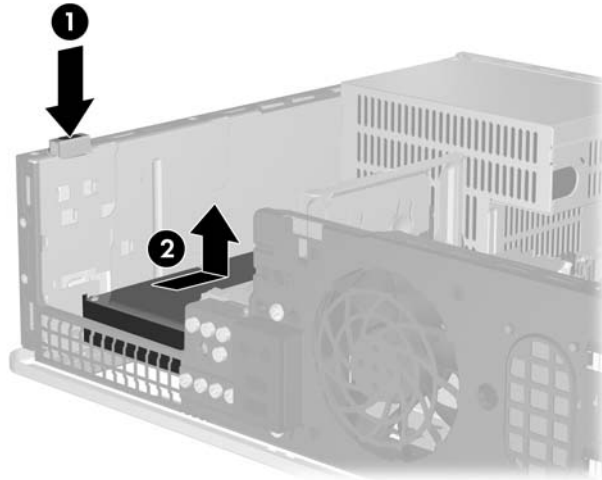


Figure 2-35 Disengaging the Hard Drive

14. Tilt the left side of the hard drive down slightly (1) so that the top lips of the guide screws are not caught behind the metal frame, then pull the drive out of the drive bay (2).

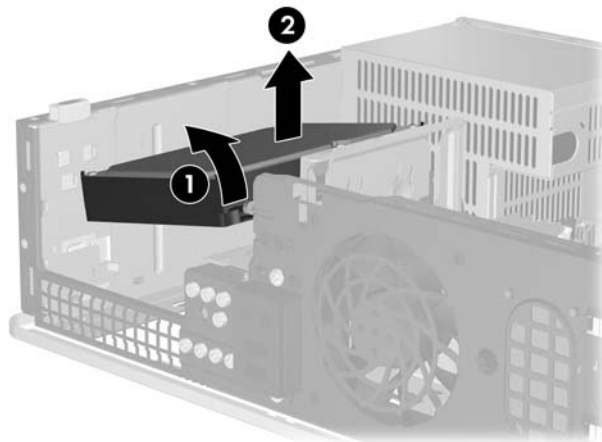


Figure 2-36 Removing the Hard Drive

15. To install a hard drive, reverse the above procedure.




NOTE If the system has only one SATA hard drive, the data cable must be connected to the dark blue connector labeled SATA0 on the system board to avoid any hard drive performance problems. If you are adding a second hard drive, connect the other end of the data cable to the next available (unpopulated) SATA connector on the system board in the following order: SATA0, SATA1, SATA5, SATA4.

When replacing the hard drive, transfer the four screws from the old drive to the new one. You will need a Torx T-15 screwdriver to remove and re-install the guide screws. HP has provided four extra 6-32 standard guide screws on the front of the chassis, under the front bezel. The 6-32 standard guide screws are silver.

If you replaced the primary hard drive, use the *Restore Plus!* CD set that you created when you initially set up the computer to restore the operating system, software drivers, and any software applications that were preinstalled on the computer. When the restore process has completed, reinstall any personal files that you backed up before replacing the hard drive.

A Specifications

Desktop Dimensions		
Height	4.5 in	11.43 cm
Width	15.5 in	39.37 cm
Depth	13.5 in	34.29 cm
Approximate Weight		
	19 lb	8.62 kg
Temperature Range		
Operating	50° to 95°F	10° to 35°C
Nonoperating	-22° to 140°F	-30° to 60°C
Relative Humidity (noncondensing)		
Operating	10-90%	10-90%
Nonoperating (38.7°C max wet bulb)	5-95%	5-95%
Maximum Altitude (unpressurized)		
Operating	10,000 ft	3048 m
Nonoperating	30,000 ft	9144 m
	NOTE Operating temperature is derated 1.0° C per 300 m (1000 ft) to 3000 m (10,000 ft) above sea level; no direct sustained sunlight. Maximum rate of change is 10° C/Hr. The upper limit may be limited by the type and number of options installed.	
Heat Dissipation		
Maximum	1260 BTU/hr	317 kg-cal/hr
Typical (idle)	315 BTU/hr	80 kg-cal/hr
Power Supply		
	115V	230V
Operating Voltage Range ¹	90-132 VAC	180-264 VAC
Rated Voltage Range	100-127 VAC	200-240 VAC
Rated Line Frequency	50-60 Hz	50-60 Hz
Power Output		
	240 W	240 W

Rated Input Current (maximum)¹	6A @ 100 VAC	3A @ 200 VAC
--	--------------	--------------

- ¹ This system utilizes a passive power factor corrected power supply. The power factor correction is present in the 230V operating mode only. This allows the system to pass the CE mark requirements for use in the countries of the European Union. This supply requires the use of an input voltage range select switch.

B Battery Replacement

The battery that comes with the computer provides power to the real-time clock. When replacing the battery, use a battery equivalent to the battery originally installed in the computer. The computer comes with a 3-volt lithium coin cell battery.



WARNING! The computer contains an internal lithium manganese dioxide battery. There is a risk of fire and burns if the battery is not handled properly. To reduce the risk of personal injury:

Do not attempt to recharge the battery.

Do not expose to temperatures higher than 60°C (140°F).

Do not disassemble, crush, puncture, short external contacts, or dispose of in fire or water.

Replace the battery only with the HP spare designated for this product.



CAUTION Before replacing the battery, it is important to back up the computer CMOS settings. When the battery is removed or replaced, the CMOS settings will be cleared. Refer to the *Computer Setup (F10) Utility Guide* on the *Documentation and Diagnostics CD* for information on backing up the CMOS settings.

Static electricity can damage the electronic components of the computer or optional equipment. Before beginning these procedures, ensure that you are discharged of static electricity by briefly touching a grounded metal object.



NOTE The lifetime of the lithium battery can be extended by plugging the computer into a live AC wall socket. The lithium battery is only used when the computer is NOT connected to AC power.

HP encourages customers to recycle used electronic hardware, HP original print cartridges, and rechargeable batteries. For more information about recycling programs, go to <http://www.hp.com/recycle>.

1. Remove/disengage any security devices that prohibit opening the computer.
2. Remove all removable media, such as diskettes or compact discs, from the computer.
3. Turn off the computer properly through the operating system, then turn off any external devices.
4. Disconnect the power cord from the power outlet and disconnect any external devices.



CAUTION Regardless of the power-on state, voltage is always present on the system board as long as the system is plugged into an active AC outlet. You must disconnect the power cord to avoid damage to the internal components of the computer.

5. If the computer is on a stand, remove the computer from the stand.
6. Remove the access panel.
7. Locate the battery and battery holder on the system board.



NOTE On some computer models, it may be necessary to remove an internal component to gain access to the battery.

8. Depending on the type of battery holder on the system board, complete the following instructions to replace the battery.

Type 1

- a. Lift the battery out of its holder.

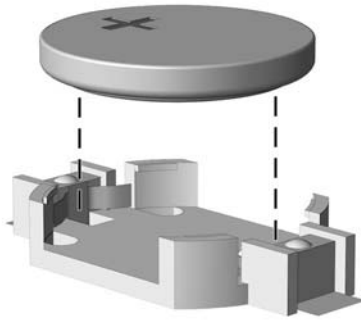


Figure B-1 Removing a Coin Cell Battery (Type 1)

- b. Slide the replacement battery into position, positive side up. The battery holder automatically secures the battery in the proper position.

Type 2

- a. To release the battery from its holder, squeeze the metal clamp that extends above one edge of the battery. When the battery pops up, lift it out (1).

- b. To insert the new battery, slide one edge of the replacement battery under the holder's lip with the positive side up. Push the other edge down until the clamp snaps over the other edge of the battery (2).

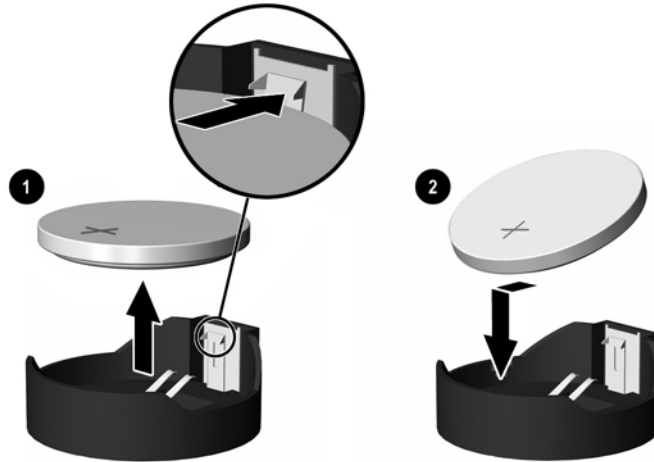


Figure B-2 Removing and Replacing a Coin Cell Battery (Type 2)

Type 3

- a. Pull back on the clip (1) that is holding the battery in place, and remove the battery (2).
- b. Insert the new battery and position the clip back into place.

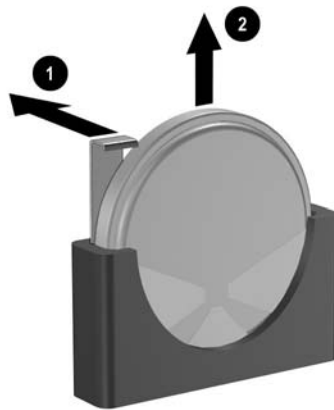


Figure B-3 Removing a Coin Cell Battery (Type 3)



NOTE After the battery has been replaced, use the following steps to complete this procedure.

9. Replace the access panel.
10. If the computer was on a stand, replace the stand.
11. Plug in the computer and turn on power to the computer.

12. Reset the date and time, your passwords, and any special system setups using Computer Setup. Refer to the *Computer Setup (F10) Utility Guide* on the *Documentation and Diagnostics CD*.
13. Lock any security devices that were disengaged when the access panel was removed.

C External Security Devices



NOTE For information on data security features, refer to the *Computer Setup (F10) Utility Guide* and the *Desktop Management Guide* on the *Documentation and Diagnostics CD* and the *HP ProtectTools Security Manager Guide* (some models) at <http://www.hp.com>.

Installing a Security Lock

The security locks displayed below and on the following page can be used to secure the computer.

Cable Lock

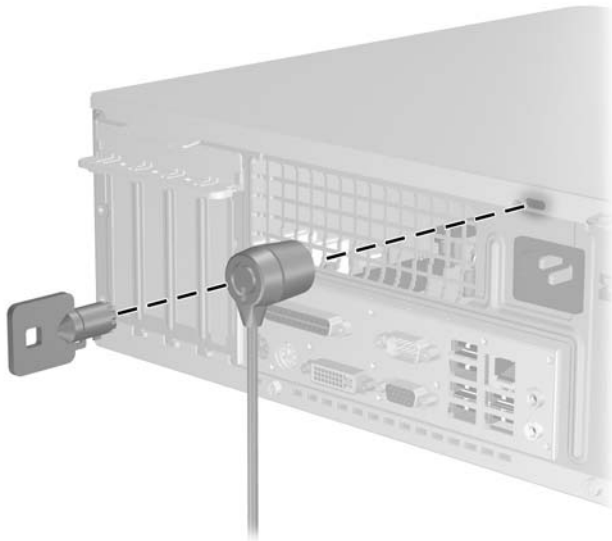


Figure C-1 Installing a Cable Lock

Padlock

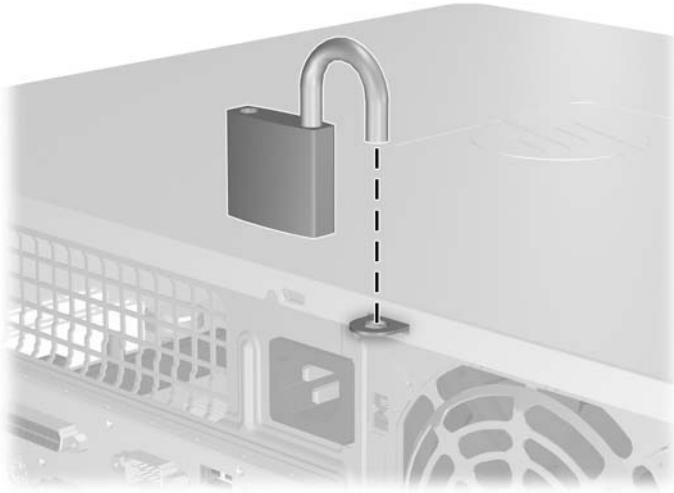


Figure C-2 Installing a Padlock

D Electrostatic Discharge

A discharge of static electricity from a finger or other conductor may damage system boards or other static-sensitive devices. This type of damage may reduce the life expectancy of the device.

Preventing Electrostatic Damage

To prevent electrostatic damage, observe the following precautions:

- Avoid hand contact by transporting and storing products in static-safe containers.
- Keep electrostatic-sensitive parts in their containers until they arrive at static-free workstations.
- Place parts on a grounded surface before removing them from their containers.
- Avoid touching pins, leads, or circuitry.
- Always be properly grounded when touching a static-sensitive component or assembly.

Grounding Methods

There are several methods for grounding. Use one or more of the following methods when handling or installing electrostatic-sensitive parts:

- Use a wrist strap connected by a ground cord to a grounded workstation or computer chassis. Wrist straps are flexible straps with a minimum of 1 megohm +/- 10 percent resistance in the ground cords. To provide proper ground, wear the strap snug against the skin.
- Use heelstraps, toestraps, or bootstraps at standing workstations. Wear the straps on both feet when standing on conductive floors or dissipating floor mats.
- Use conductive field service tools.
- Use a portable field service kit with a folding static-dissipating work mat.

If you do not have any of the suggested equipment for proper grounding, contact an HP authorized dealer, reseller, or service provider.



NOTE For more information on static electricity, contact an HP authorized dealer, reseller, or service provider.

E Computer Operating Guidelines, Routine Care and Shipping Preparation

Computer Operating Guidelines and Routine Care

Follow these guidelines to properly set up and care for the computer and monitor:

- Keep the computer away from excessive moisture, direct sunlight, and extremes of heat and cold.
- Operate the computer on a sturdy, level surface. Leave a 10.2-cm (4-inch) clearance on all vented sides of the computer and above the monitor to permit the required airflow.
- Never restrict the airflow into the computer by blocking any vents or air intakes. Do not place the keyboard, with the keyboard feet down, directly against the front of the desktop unit as this also restricts airflow.
- Never operate the computer with the cover or side panel removed.
- Do not stack computers on top of each other or place computers so near each other that they are subject to each other's re-circulated or preheated air.
- If the computer is to be operated within a separate enclosure, intake and exhaust ventilation must be provided on the enclosure, and the same operating guidelines listed above will still apply.
- Keep liquids away from the computer and keyboard.
- Never cover the ventilation slots on the monitor with any type of material.
- Install or enable power management functions of the operating system or other software, including sleep states.
- Turn off the computer before you do either of the following:
 - Wipe the exterior of the computer with a soft, damp cloth as needed. Using cleaning products may discolor or damage the finish.
 - Occasionally clean the air vents on all vented sides of the computer. Lint, dust, and other foreign matter can block the vents and limit the airflow.

Optical Drive Precautions

Be sure to observe the following guidelines while operating or cleaning the optical drive.

Operation

- Do not move the drive during operation. This may cause it to malfunction during reading.
- Avoid exposing the drive to sudden changes in temperature, as condensation may form inside the unit. If the temperature suddenly changes while the drive is on, wait at least one hour before you turn off the power. If you operate the unit immediately, it may malfunction while reading.
- Avoid placing the drive in a location that is subject to high humidity, extreme temperatures, mechanical vibration, or direct sunlight.

Cleaning

- Clean the panel and controls with a soft, dry cloth or a soft cloth lightly moistened with a mild detergent solution. Never spray cleaning fluids directly on the unit.
- Avoid using any type of solvent, such as alcohol or benzene, which may damage the finish.

Safety

If any object or liquid falls into the drive, immediately unplug the computer and have it checked by an authorized HP service provider.

Shipping Preparation

Follow these suggestions when preparing to ship the computer:

1. Back up the hard drive files on PD discs, tape cartridges, CDs, or diskettes. Be sure that the backup media is not exposed to electrical or magnetic impulses while stored or in transit.



NOTE The hard drive locks automatically when the system power is turned off.

2. Remove and store all removable media.
3. Insert a blank diskette into the diskette drive to protect the drive while in transit. Do not use a diskette on which you have stored or plan to store data.
4. Turn off the computer and external devices.
5. Disconnect the power cord from the electrical outlet, then from the computer.
6. Disconnect the system components and external devices from their power sources, then from the computer.



NOTE Ensure that all boards are seated properly and secured in the board slots before shipping the computer.

7. Pack the system components and external devices in their original packing boxes or similar packaging with sufficient packing material to protect them.

Index

A

- access panel
 - locking and unlocking 49
 - removing 10
 - replacing 11
- ADD2/SDVO card 20, 23
- audio connectors 2, 3

B

- backup and recovery 41
- battery replacement 45

C

- computer operating guidelines 53
- connecting drive cables 27

D

- DIMMs. *See* memory
- diskette drive
 - installing 34
 - removing 32
- drives
 - connecting cables 27
 - installing 27
 - locations 26

E

- electrostatic discharge, preventing damage 51
- expansion card
 - installing 20
 - removing 20
 - slot locations 20
- expansion slot cover
 - removing 22
 - replacing 24

F

- front bezel
 - removing 12

- removing blanks 13

- replacing 14

- front panel components 2

G

- guide screws 27

H

- hard drive
 - installing 37
 - installing secondary 34
 - removing 37
 - restoring software 41
- headphone connector 2

I

- installation guidelines 7
- installing
 - battery 45
 - diskette drive 34
 - drive cables 27
 - expansion card 20
 - guide screws 27
 - hard drive 37
 - memory 15
 - optical drive 29
 - restore software 41
 - security locks 49

K

- keyboard
 - components 4
 - connector 3

L

- line-in connector 3
- line-out connector 3
- locks
 - cable lock 49
 - padlock 50

M

- memory
 - installing 15
 - populating sockets 16
 - specifications 15
- microphone connector 2
- monitor connector 3
- mouse
 - connector 3
 - special functions 6

N

- network connector 3

O

- optical drive
 - cleaning 54
 - defined 2
 - installing 29
 - precautions 54
 - removing 28

P

- parallel connector 3
- PCI card 20, 23
- PCI Express card 20
- power supply 43
- product ID location 6

R

- rear panel components 3
- removing
 - access panel 10
 - ADD2/SDVO card 23
 - battery 45
 - bezel blanks 13
 - diskette drive 32
 - expansion card 20
 - expansion slot cover 22
 - front bezel 12

- hard drive 37
- optical drive 28
- PCI card 23

S

- security
 - cable lock 49
 - padlock 50
- serial connector 3
- serial number location 6
- shipping preparation 54
- specifications
 - computer 43
 - memory 15

T

- tower orientation 8

U

- unlocking access panel 49
- USB ports
 - front panel 2
 - rear panel 3

V

- ventilation guidelines 53

W

- Windows Logo key 5