



DS-2CC5173N-VP (IR) (-H)

- Compact Design
- 1/3" SONY Super HAD CCD II
- Min. Illumination: 0.14 Lux@F1.4 (Color), 0.014Lux@(F1.4 (B/W)
- Smart IR
- ICR filter auto switch
- 3D-Digital Noise Reduction (3D-DNR)
- OSD menu
- Auto iris with DC Drive
- Auto white balance, auto gain control, and backlight compensation
- Internal or Line Lock Synchronization
- Weather Proof: IP66
- Advanced Engineering Design, 3-axis adjustment, and High Reliability



Unit: mm

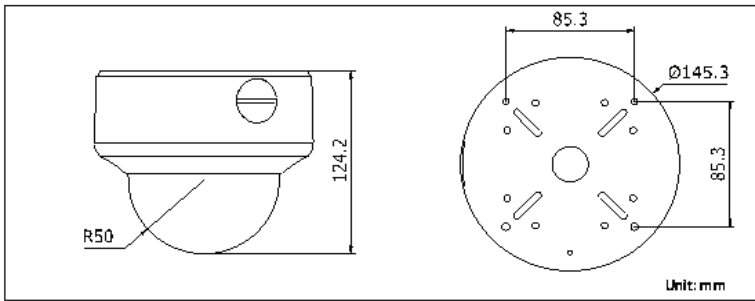
Specifications

		DS-2CC5173N-VP	DS-2CC5173N-VP-IR	DS-2CC5173N-VP-IR-H
Camera	Image Sensor	1/3" SONY Super HAD CCD II		
	Signal System	NTSC		
	Effective Pixels	768(H) x 494 (V)		
	Min. Illumination	Color: 0.14Lux @ F1.4, B/W: 0.014 Lux@F1.4		
	Shutter Time	NTSC: 1/60s to 1/100,000s		
	Lens	2.8~12mm@ F1.4, Angle of view: 92°~27.2°		
	Lens Mount	Φ14		
	Auto Iris	DC Drive		
	Angle Adjustment	Pan 0~355°, Tilt 0~80°, Rotation±90°		
	Day & Night	IR cut filter auto switch		
	Horizontal Resolution	560TVL(Color), 600TVL(B/W)		
	Synchronization	Internal/Link Lock		
Video Output	1.0Vp-p Composite Output (75Ω/BNC)			
S/N Ratio	More than 52dB			
Menu	Camera ID	On/Off (15 letters, adjusted position)		
	White Balance	ATC/Manual/ATW1/ATW2		
	Auto Gain	Low/ Middle/ High		
	Day/Night Mode	Auto1/ Auto2/ Day/ Night		
	BLC/HLC	On/Off		
	Privacy Mask	On/Off, Maximum 8 Zones		
	Motion Detection	On/Off		
	Smart IR	On/Off		
	Digital WDR	On/Off		
	Language	English/Chinese		
Video	Gamma Correction, Digital Zoom, Digital Noise Reduction, POS/NEG, Mirror, Sharpness, Y and C Gain			
General	Operating Conditions	-10°C~60°C(14°F~140°F), Humidity 90% or less (non-condensing) -H:-40°C~60°C(-40°F~140°F) with Heater and Fan ON		
	Weather Proof Rating	IP66		
	IR Distance	60 feet (20m)		
	IR Spectrum	850nm		
	Power Consumption	24V AC±10%/12V DC±10%, 4W MAX -IR: 24V AC ±10%/12V DC±10%, 12W MAX with IR ON -H:24V AC ±10%, 24W MAX with Heater and Fan ON		
	Impact Protection	IEC60068-2-75 test, Eh, 50J; EN50102, exceeding IK10		
	Dimension	Φ145.3x124.2mm (Φ5.72" x 4.89")		
	Weight	2000g(4.41lbs)		

Order Model

DS-2CC5173N-VP, DS-2CC5173N-VPIR, DS-2CC5173N-VPIR-H

Dimension



Optional Accessories



Wall Mount DS-1229ZJ