



USER'S GUIDE
V: 972-01



TDE1384B 13.3" LED HDTV + DVD

For the most up-to-date version of this User's Guide, go to www.gpx.com

Warnings and Precautions

CAUTION: To prevent electric shock, match wide blade of plug to wide slot and fully insert into power outlet.

WARNING: To reduce the risk of fire or electric shock, do not expose this apparatus to rain or moisture.

AVERTISSEMENT: *Pour réduire le risque d'incendie ou de choc électrique, ne pas exposer cet appareil sous la pluie et l'humidité.*

CAUTION: Use of any controls or adjustments or performance of procedures other than those herein specified may result in hazardous radiation exposure.

WARNING: Changes or modifications to this unit not expressly approved by the party responsible for compliance could void the user's authority to operate the equipment.

WARNING: Do not place this unit directly onto furniture surfaces with any type of soft, porous, or sensitive finish. As with any rubber compound made with oils, the feet could cause marks or staining where the feet reside. We recommend using a protective barrier such as a cloth or a piece of glass between the unit and the surface to reduce the risk of damage and/or staining.

WARNING: Use of this unit near fluorescent lighting may cause interference regarding use of the remote. If the unit is displaying erratic behavior move away from any fluorescent lighting.

CAUTION: Danger of explosion if battery is incorrectly replaced. Replace only with the same or equivalent type.

AVERTISSEMENT: *Danger d'explosion si les piles sont remplacées de façon incorrecte. Remplacer les piles seulement par le même type de pile ou l'équivalent.*

WARNING: The battery, batteries, and battery pack shall not be exposed to excessive heat such as sunshine, fire, or the like.

WARNING: Shock hazard - Do Not Open.

AVERTISSEMENT: *Risque de choc électrique - ne pas ouvrir.*

Use only the main AC/DC power cord and adapter that came with the device. Device should be unplugged from the wall first, then the device itself.

Utilisez uniquement le principal cordon d'alimentation AC / DC et adaptateur fourni avec l'appareil. Appareil doit être débranché de la première paroi, puis l'appareil lui-même.

Do not mix old and new batteries.

Do not mix alkaline, standard (carbon-zinc), or rechargeable (ni-cad, ni-mh, etc) batteries.

Batteries should be recycled or disposed of as per state and local guidelines.

Ne pas mélanger vieilles et nouvelles batteries.

Ne mélangez pas des piles alcalines, standard (carbone-zinc) ou rechargeables (Ni-Cd, Ni-MH, etc) batteries.

Piles doivent être recyclées ou éliminées selon les directives étatiques et locales.



WARNING: TO REDUCE THE RISK OF ELECTRIC SHOCK, DO NOT REMOVE COVER (OR BACK). NO USER-SERVICEABLE PARTS INSIDE. REFER SERVICING TO QUALIFIED SERVICE PERSONNEL.




The lightning flash with arrowhead symbol, within an equilateral triangle, is intended to alert the user to the presence of uninsulated "dangerous voltage" within the product's enclosure that may be of sufficient magnitude to constitute a risk of electric shock to persons.



The exclamation point within an equilateral triangle is intended to alert the user to the presence of important operating and maintenance (servicing) instructions in the literature accompanying the appliance.

Important Safety Instructions

1. Read these Instructions.
2. Keep these Instructions.
3. Heed all Warnings.
4. Follow all instructions.
5. Do not use this apparatus near water.
6. Clean only with a dry cloth.
7. Do not block any ventilation openings. Install in accordance with the manufacturer's instructions.
8. Do not install near any heat sources such as radiators, heat registers, stoves, or other apparatus (including amplifiers) that produce heat.
9. Do not defeat the safety purpose of the polarized or grounding - type plug. A polarized plug has two blades with one wider than the other. A grounding type plug has two blades and a third grounding prong. The wide blade or the third prong are provided for your safety. When the provided plug does not fit into your outlet, consult an electrician for replacement of the obsolete outlet.
10. Protect the power cord from being walked on or pinched particularly at plugs, convenience receptacles, and the point where they exit from the apparatus.
11. Only use attachments/accessories specified by the manufacturer.

-
12.  Use only with a cart, stand, tripod, bracket, or table specified by the manufacturer, or sold with the apparatus. When a cart is used, use caution when moving the cart/apparatus combination to avoid injury from tip-over.
-

13. Unplug this apparatus during lightning storms or when unused for long periods of time.
14. Refer all servicing to qualified service personnel. Servicing is required when the apparatus has been damaged in any way, such as power-supply cord or plug is damaged, liquid has been spilled or objects have fallen into the apparatus, the apparatus has been exposed to rain or moisture, does not operate normally, or has been dropped.

Special note: When placing your unit on a lacquered or natural finish, protect your furniture with a cloth or other protective material.

FCC Warnings

WARNING: Changes or modifications to this unit not expressly approved by the party responsible for compliance could void the user's authority to operate the equipment.

NOTE: This equipment has been tested and found to comply with the limits for a Class B digital device, pursuant to Part 15 of the FCC Rules. These limits are designed to provide reasonable protection against harmful interference in a residential installation. This equipment generates, uses, and can radiate radio frequency energy and, if not installed and used in accordance with the instructions, may cause harmful interference to radio communications. However, there is no guarantee that interference will not occur in a particular installation. If this equipment does cause harmful interference to radio or television reception, which can be determined by turning the equipment off and on, the user is encouraged to try to correct the interference by one or more of the following measures:

- Reorient or relocate the receiving antenna.
- Increase the separation between the equipment and receiver.
- Connect the equipment into an outlet on a circuit different from that to which the receiver is connected.
- Consult the dealer or an experienced radio/TV technician for help.

Additional Warnings

The apparatus shall not be exposed to dripping or splashing and that no objects filled with liquids, such as vases, shall be placed on apparatus.

L'appareil ne doit pas être exposé aux écoulements ou aux éclaboussures et aucun objet ne contenant de liquide, tel qu'un vase, ne doit être placé sur l'objet.

Battery shall not be exposed to excessive heat such as sunshine, fire or the like.

Les piles ne doivent pas être exposées à de forte chaleur, tel qu'à la lumière du soleil, au feu ou autres choses de semblable.

Caution marking is located at the rear or bottom of the apparatus.

Attention marquage est situé sur le panneau arrière ou inférieur de l'unité.

The marking information is located at the rear or bottom of apparatus.

Le marquage est situé sur le panneau arrière ou inférieur de l'unité.



This symbol indicates that this product incorporates double insulation between hazardous mains voltage and user accessible parts.

This product incorporates copyright protection technology that is protected by U.S. patents and other intellectual property rights. Use of this copyright protection technology must be authorized by Rovi Corporation, and is intended for home and other limited viewing uses only unless otherwise authorized by Rovi Corporation. Reverse engineering and disassembly are prohibited.

Table of Contents

| | |
|---|--------|
| Warnings and Precautions | 2 |
| Important Safety Instructions | 3 |
| Table of Contents | 4 |
| Unboxing Your 13.3" LED HDTV and DVD | 5 |
| Includes | |
| Note | |
| Setup | 5 |
| Power | |
| Remote | |
| Connecting the Stand | |
| Orientation | 6 |
| TV Front Controls | |
| TV Side | |
| TV Rear Inputs | |
| Remote | |
| Connecting Devices to Your TV | 8 - 11 |
| Connecting a TV Antenna | |
| Connecting Cable | |
| Connecting HDMI | |
| Connecting Composite Audio/Video | |
| Connecting a Computer | |
| Connecting Optical Audio | |
| DVD and CD | 12 |
| Playing a DVD or CD | |
| Programming a DVD or CD | |
| DVD Setup Menu | |
| USB and SD, MMC, MS Memory Cards | 13 |
| Using a USB Thumb Drive | |
| Using an SD, MMC, or MS Memory Card | |
| Settings | 14 |
| Auto Scanning for Channels | |
| Parental Controls (V-Chip) | |
| Setting Favorites | |
| Viewing Favorites | |
| Setting the Clock | |
| Mounting to a Wall | 15 |
| Specifications | |
| Company Information | 16 |
| International Support | |
| Contact Information | |
| Warranty | |
| Green Initiative | |

Unboxing Your 13.3" LED HDTV + DVD

Includes

- Remote control and 2 AAA batteries
- Removable stand
- AC/DC Power Supply

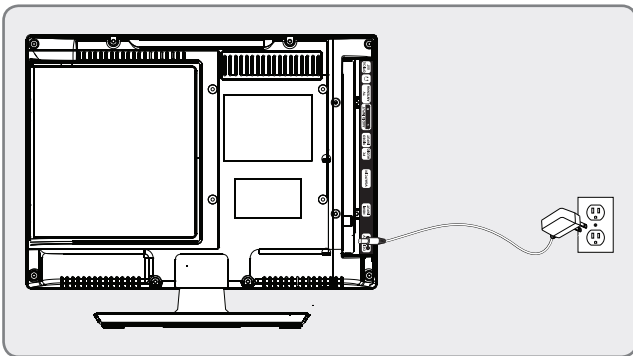
Note:

Some pixels may be visible on the screen, appearing as tiny red, green, blue or black spots. This is normal and is not a defect on the TV nor does it negatively affect the performance.

Setup

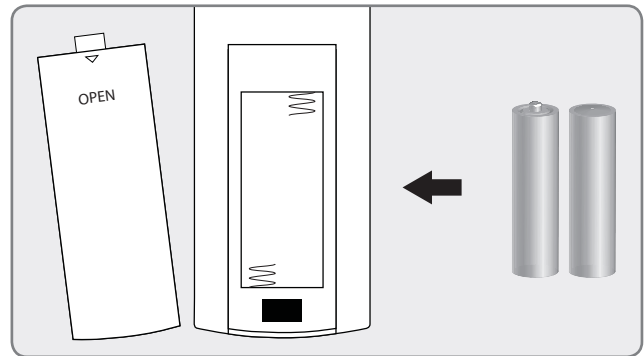
Power

Plug the small end of the power cord into the TV and the large end into a standard wall outlet.



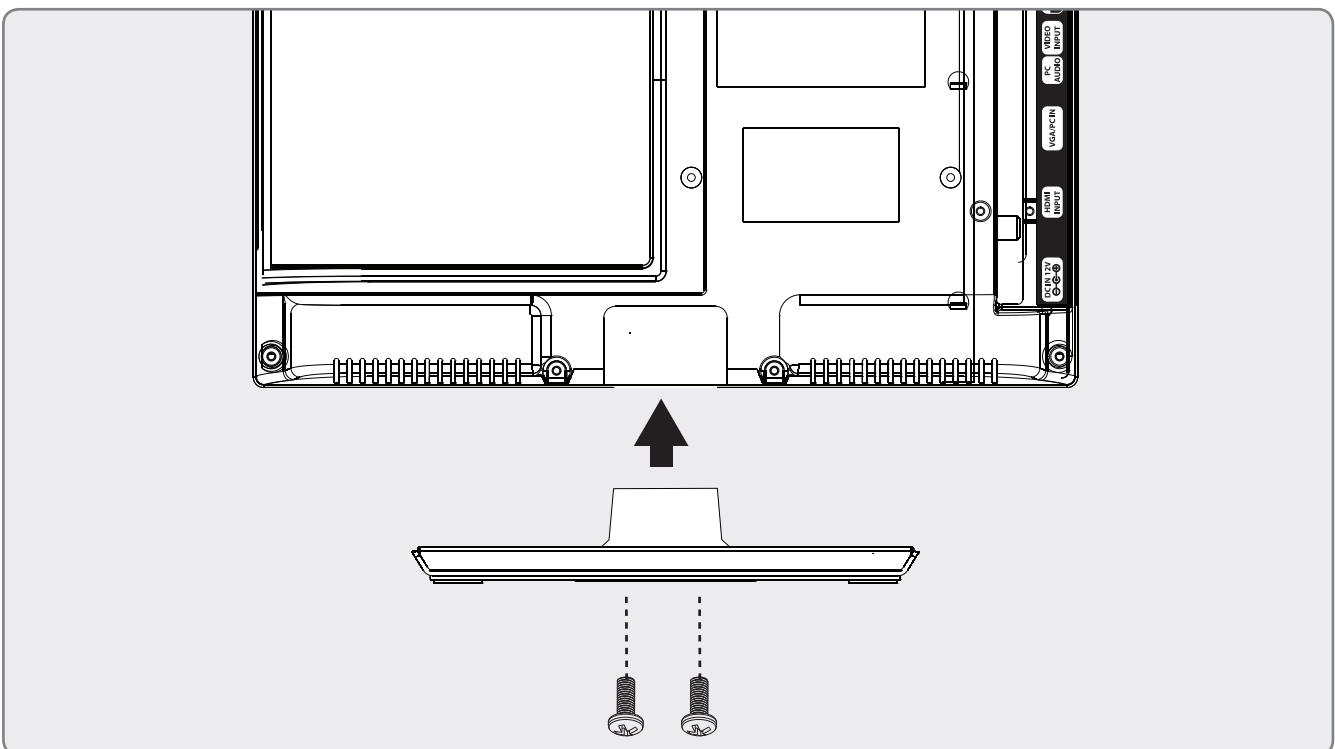
Remote

Requires 2, AAA-size, batteries (included)



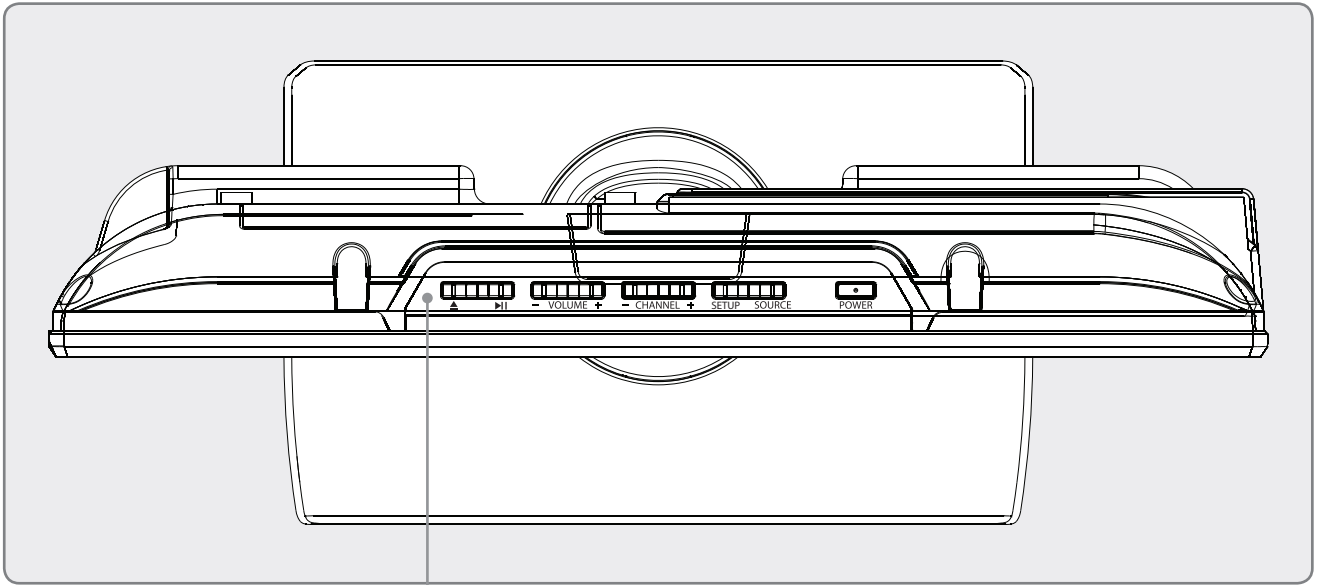
Connecting the Stand

Use a phillips-head screwdriver to tighten or remove the screws by hand. Using a power drill could damage the TV stand.



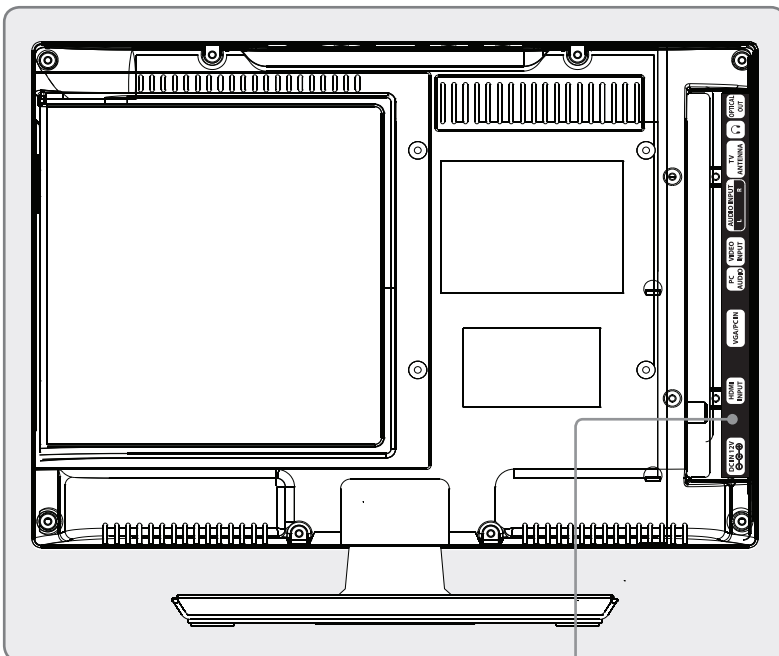
Orientation

TV TOP CONTROLS



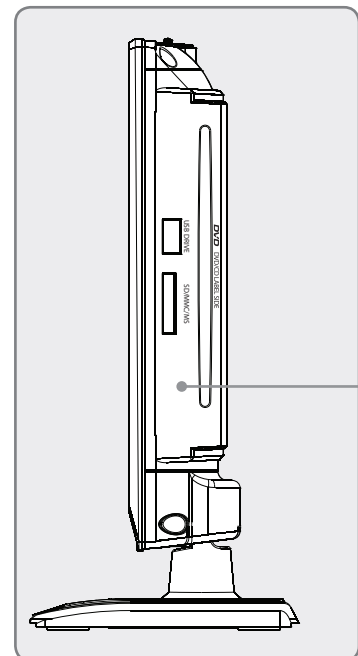
Eject Play/Pause Volume ± Channel ± Setup Source Power

TV REAR INPUTS



AC Power Plug to DC input Composite Video Input Stereo Headphone Jack
 HDMI Input Composite Audio Input Digital Optical Out
 VGA/PC Input TV Antenna

TV SIDE



USB Port SD/MMC/MS Card Reader DVD/CD Player

REMOTE

Source

Press and use the **Arrow/Enter** buttons to adjust the source.

Display

Press to view the on-screen display.

Aspect

Press to adjust the aspect ratio between ZOOM, WIDE, CINEMA, and NORMAL.

Volume ±

Press to adjust the volume.

Mute

Press to mute the volume.

Audio/CC

Press to adjust the current audio settings for the loaded DVD.
In TV mode, press to turn closed captioning off or on.

Arrows/Enter

Press to make selections in the on screen or disc menus.

Setup

Press to view the television setup menu.

Reverse/Fast Fwd

Press to search through an individual chapter or track

Stop

Press to stop a disc during play.

Play/Pause

Press to play or pause a loaded disc.

Rewind

Press to search through an individual chapter or track.

Skip Back/Forward

Press to skip between chapters or tracks on a loaded disc.

Repeat

Press to repeat a title, chapter, track, or entire disc.

Prog

Press to program a loaded disc to play titles, chapters, or tracks in a specified order.

DVD Setup

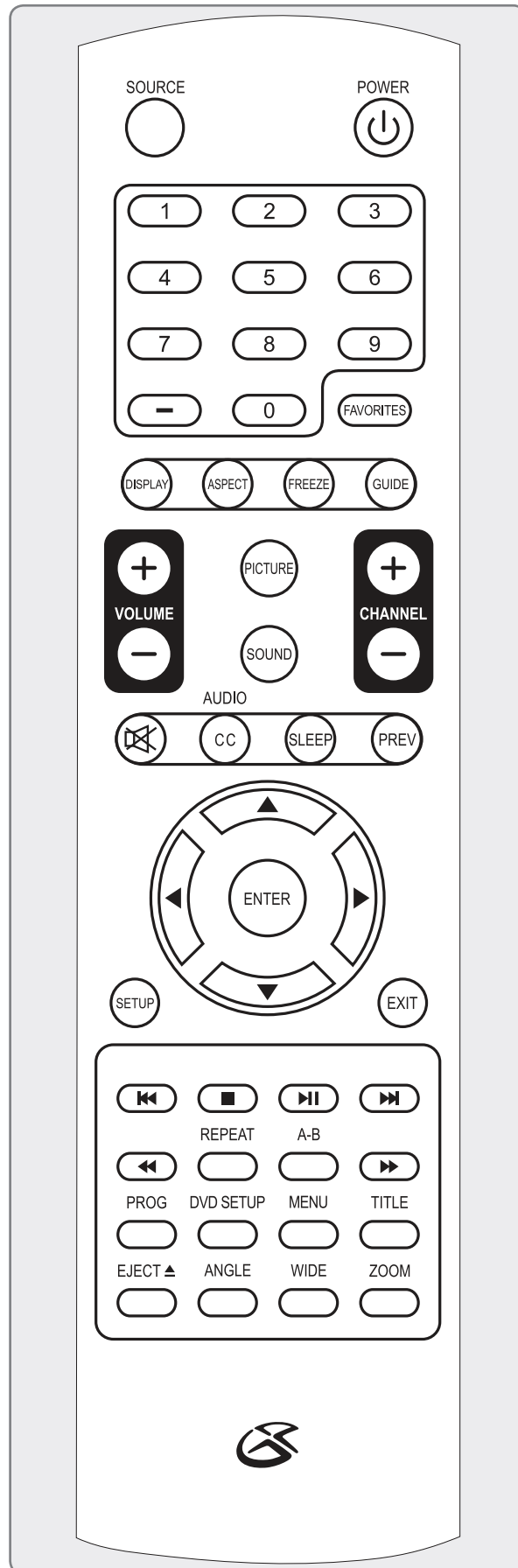
Press to access the DVD setup menu

Eject

Press to eject a loaded disc.

Angle

Press to view alternate angles on supported DVDs.



Power

Press to power the television off or on.

Favorites

In TV mode, press to view your favorites list.

Freeze

Press to freeze or unfreeze the current frame in TV mode.

Guide

In TV mode, press to view the on-screen television guide.

Channel ±

Press to adjust the television channel.

Picture

Press to adjust the picture between STANDARD, SOFT, USER, and DYNAMIC. The user mode can be customized by accessing Picture Settings in the menu.

Sound

Press to adjust the sound between STANDARD, MUSIC, USER, MOVIE, and SPORTS. The user mode can be customized by accessing Sound Settings in the menu.

Sleep

Press repeatedly to set the sleep timer. After the set time has expired the television will automatically power off.

Prev

In TV mode, press to switch to the previous channel.

Exit

Press to exit the current on-screen menu.

Slow

Press to slow down the current track.

A-B

Press to create a repeating loop on a specified section of a loaded DVD.

Menu

Press to access the loaded DVD's menu.

Title

Press to access the title menu on a loaded DVD.

Wide

Press to switch between 4:3 LB, 4:3 PS, and 16:9.

Zoom

Press to zoom in or out on a loaded DVD.

Connecting Devices to Your TV

Connecting a TV Antenna

You will need: a antenna/cable wire (not included).

1. Connect the **Antenna** wire to the input on the television.
2. Press the **Source** button to switch to TV mode.
3. Press the **Setup** button to access the setup menu.
4. Press the **Arrow** (◀ ▶) buttons to highlight the CHANNEL icon. Press the **Enter** button.
5. Press the **Arrow** (▲ ▼) buttons to highlight Air/Cable. Press the **Arrow** (◀ ▶) buttons to select AIR.
6. Press the **Arrow** (▲ ▼) buttons to highlight AUTO SCAN. Press the **Enter** button to begin scanning for available channels.

Connecting Cable

You will need: a antenna/cable wire (not included).

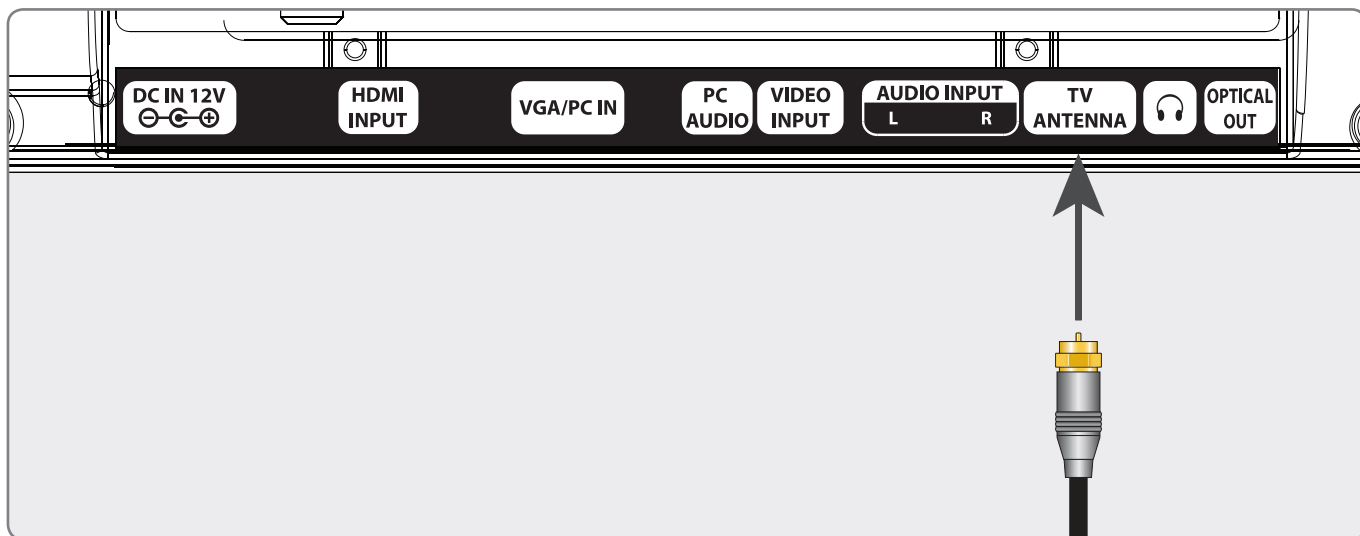
1. Connect the **Cable** wire to the input on the television.
2. Press the **Source** button to switch to TV mode.
3. Press the **Setup** button to access the setup menu.
4. Press the **Arrow** (◀ ▶) buttons to highlight the CHANNEL icon. Press the **Enter** button.
5. Press the **Arrow** (▲ ▼) buttons to highlight Air/Cable. Press the **Arrow** (◀ ▶) buttons to select CABLE.
6. Press the **Arrow** (▲ ▼) buttons to highlight Auto Scan. Press the **Enter** button to begin scanning for available channels.

Connecting HDMI

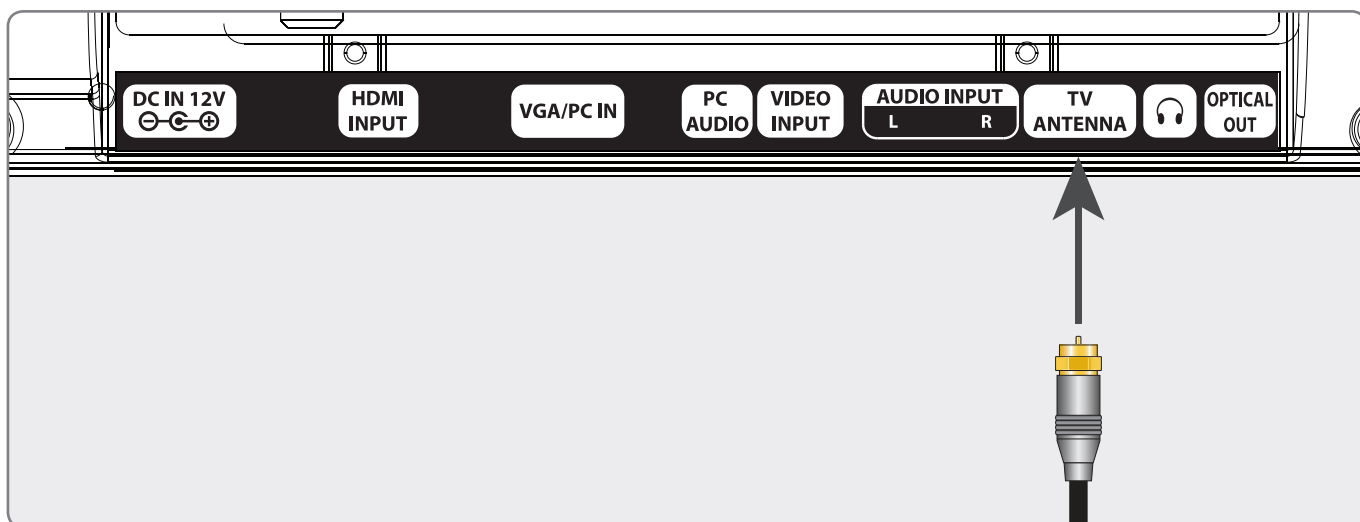
You will need: a device that supports HDMI and a HDMI cable (not included).

1. Connect the device's HDMI *output* to the HDMI input on the television.
2. Power the television on and press the **Source** button to switch to the connected input HDMI.

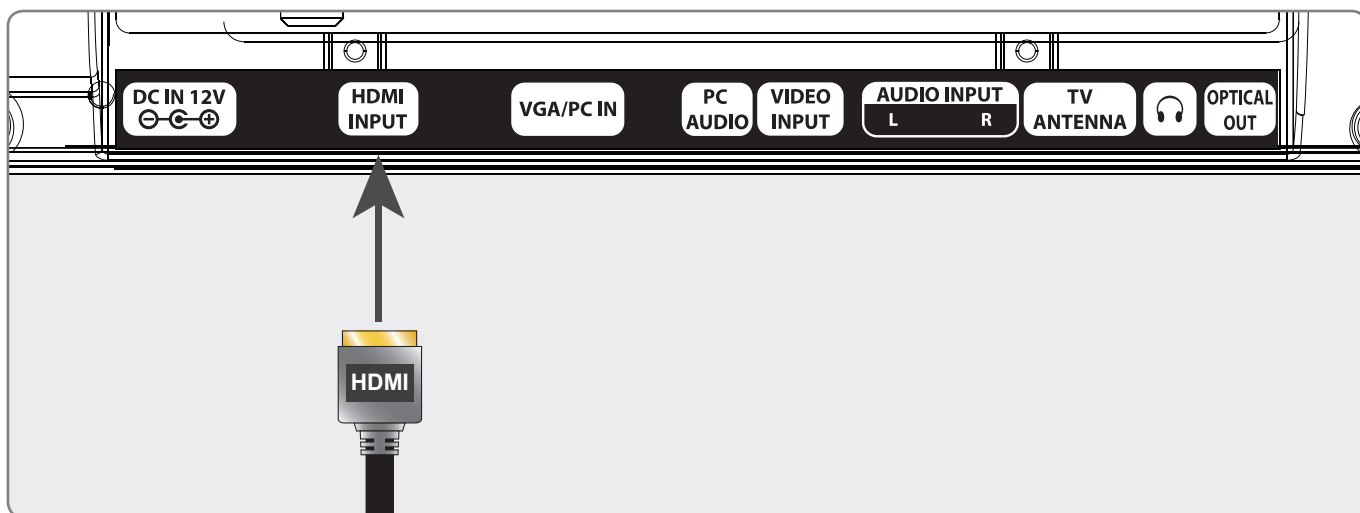
Connecting a TV Antenna - Rear View



Connecting Cable - Rear View



Connecting HDMI - Rear View



Connecting Devices to Your TV

Connecting Composite Audio/Video

You will need: composite (yellow) and RCA stereo (red,white) cables (not included).

1. Connect the device's *audio* and *video outputs* to the corresponding audio and video inputs on the television.
2. Power the television on and press the **Source** button to switch to the connected input **AV Composite**.

Connecting a Computer

You will need: a PC with a VGA output, and a VGA cable (not included).

1. Connect the computer's *VGA output* to the **VGA/PC Input** on the television.
2. Power the television on and press the **Source** button to switch to the *PC Mode*.
3. Audio from the connected PC can be input to the television through the TV's **PC Audio Input** by using a 3.5mm audio cable (not included).

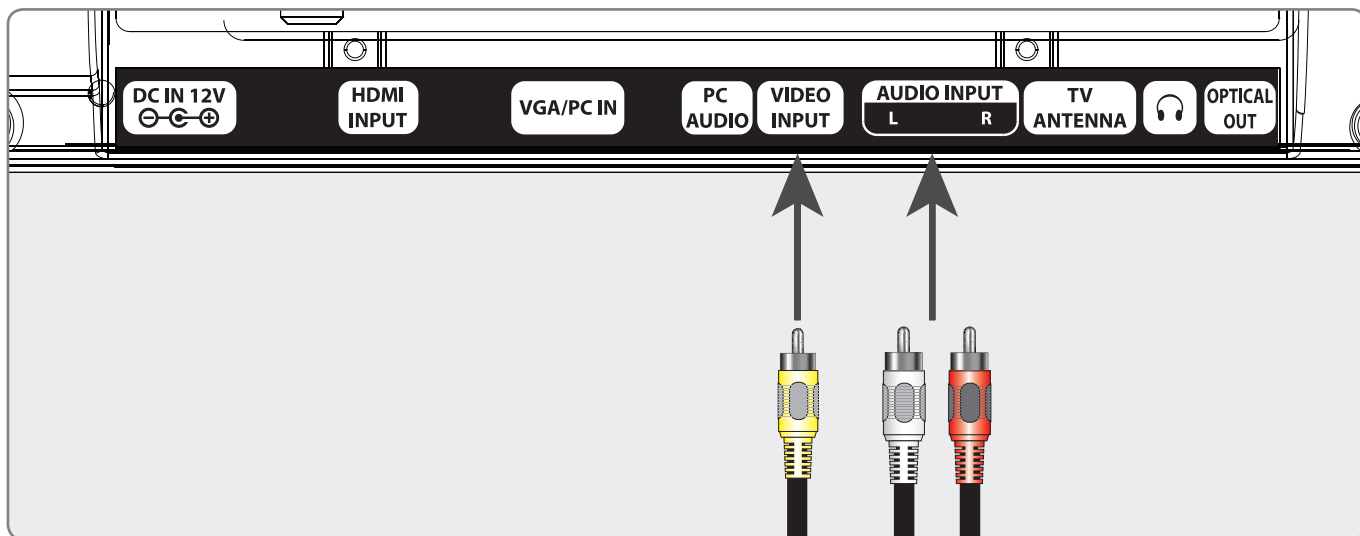
Connecting Optical Audio

You will need: a receiver with a **Digital Optical Input** and a Digital Optical Audio Cable (not included).

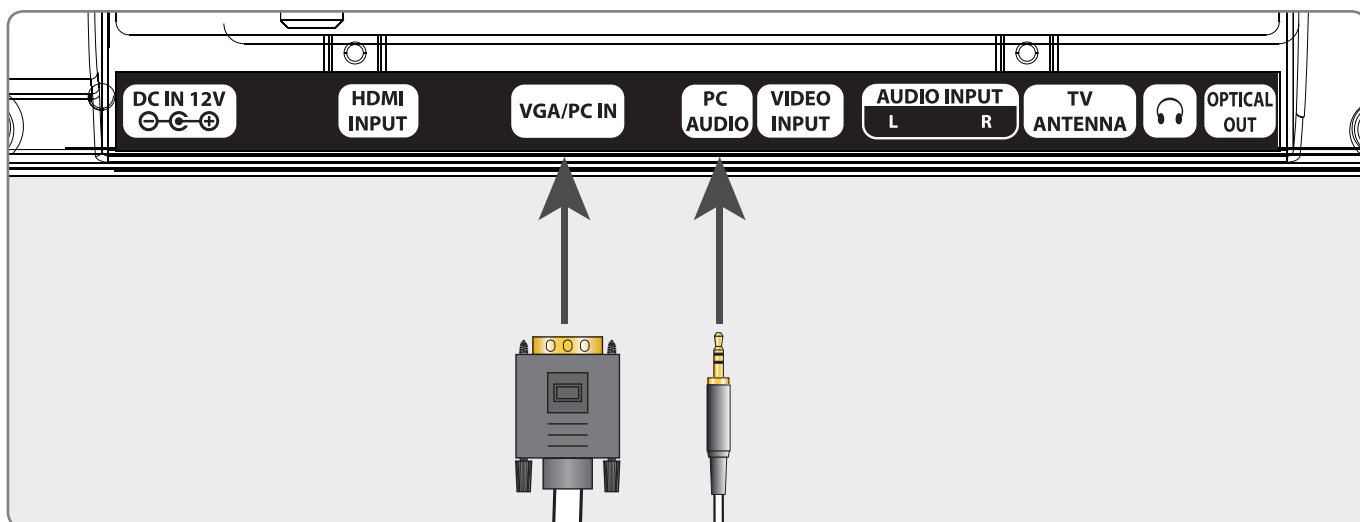
1. Connect the Digital Optical Audio Cable from the **Optical Output** on the television to Input on the receiver.
2. Set the receiver to accept the Optical Input source from the television.

Please note: home theater systems may label the Digital Optical Out source differently, such as "PCM", or "Digital Audio Input". Please consult your home theater system's user manual in order to select the correct input source.

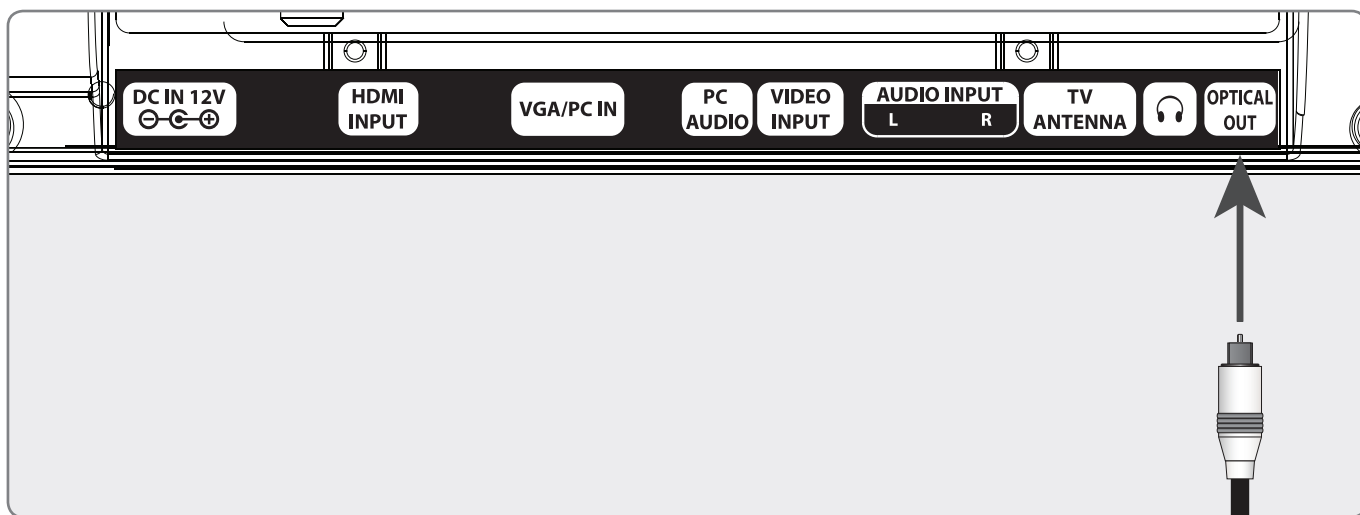
Connecting Composite Audio/Video - Rear View



Connecting a Computer - Rear View



Connecting Optical Audio - Rear View



DVD and CD

Playing a DVD or CD

1. Insert a DVD or CD into the slot-load disc drive, with the **label side of the DVD or CD facing the rear of the television.**

Once a DVD or CD is loaded into the television, the TV will automatically switch to DVD mode

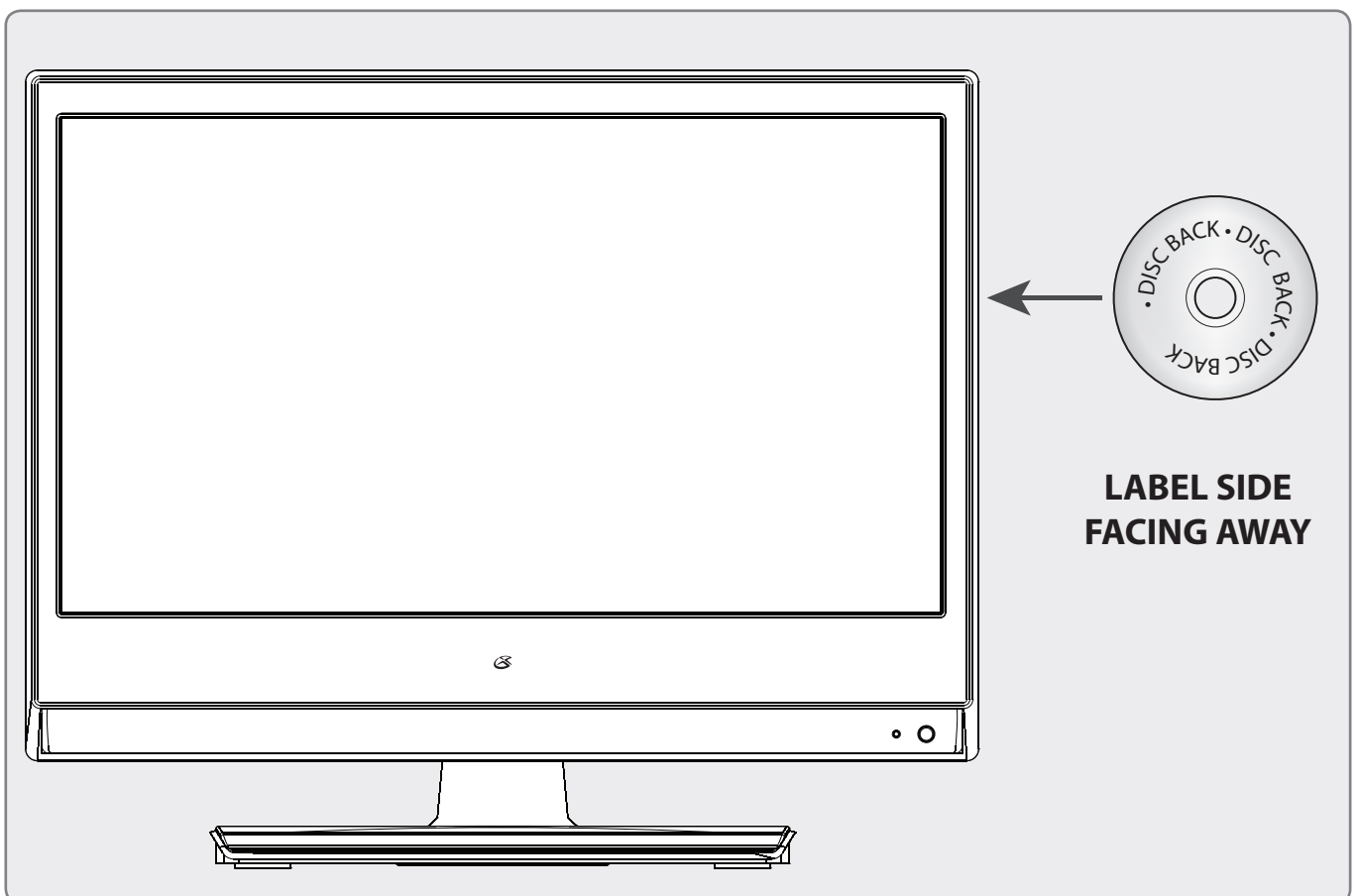
2. Press the **Play/Pause** button on the remote or TV to begin playing the loaded disc.

Programming a DVD or CD

1. While a DVD or CD is playing, press the **Program** button on the remote.
2. Using the **Number Keypad** enter in the chapters or tracks in the order you want them to play.
3. Highlight the on-screen Start button using the **Arrow** buttons and press the **Enter** button.
4. The programmed chapters and tracks will now play in the designated order.
5. To cancel a program, press the **Stop** button twice.

DVD Setup Menu

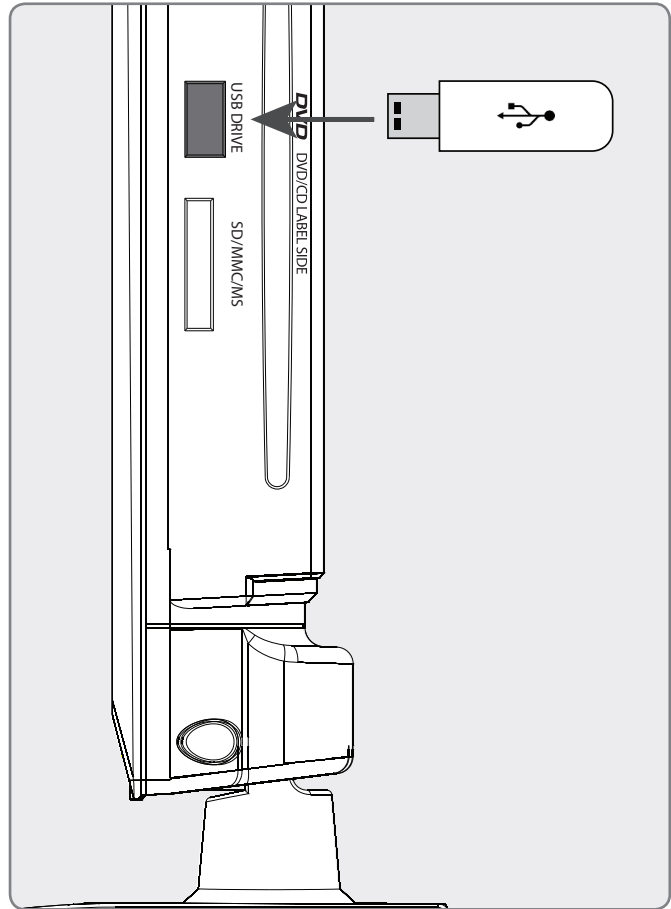
In DVD mode, press the **DVD Setup** button to access the DVD setup menu. Press the **DVD Setup** button to exit the DVD setup menu.



USB and SD, MMC, MS Memory Card

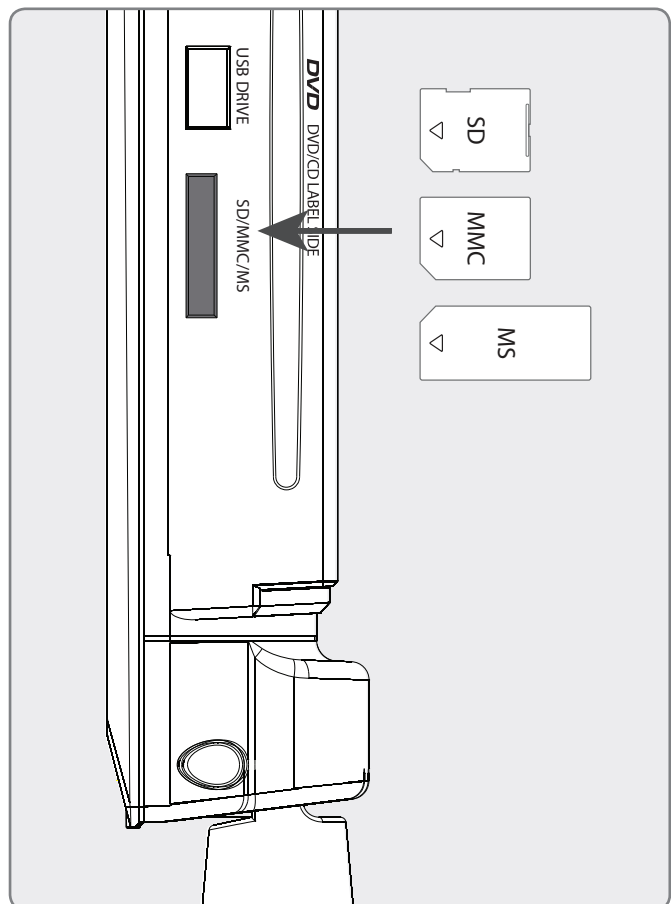
Using a USB Thumb Drive

1. Load a USB thumb drive into the **USB Port** as shown in the image to the right.
2. Press the **Source** button to switch to USB mode.
3. Use the **Arrow** and **Enter** buttons to select and play content from the connected USB thumb drive.



Using an SD, MMC, or MS Memory Card

1. Load an SD, MMC, or MS memory card into the **Card Slot** as shown in the image to the right.
2. Press the **Source** button on the remote to switch to SD mode.
3. Use the **Arrow** and **Enter** buttons to select and play content from the connected SD, MMC, or MS memory card.



Settings

Auto Scanning for Channels

The Auto Channel Scan must be run before any channels can be viewed on the television.

1. Press the **Source** button to switch to TV mode.
2. Press the **Setup** button to access the setup menu.
3. Press the **Arrow** (◀ ▶) buttons to highlight the CHANNEL icon. Press the **Enter** button.
4. Press the **Arrow** (▲ ▼) buttons to highlight Air/Cable. Press the **Arrow** (◀ ▶) buttons to select AIR.
5. Press the **Arrow** (▲ ▼) buttons to highlight Auto Scan. Press the **Enter** button to begin scanning for available channels.

Note: Initial channel scanning process may take up to 15 min.

Parental Controls (V-Chip)

1. Press the **Source** button to switch to TV mode.
2. Press the **Setup** button.
3. Press the **Arrow** (◀ ▶) buttons, highlight LOCK, and press the **Enter** button.
4. Enter the default passcode to access the LOCK preferences. The default passcode is **0000**.
5. From this menu, you can lock specific ratings from the United States rating system or the Canadian rating system by accessing the V-CHIP settings. You can also lock the buttons on the television or lock specific sources from access.

Setting Favorites

1. Press the **Source** button to switch to TV mode.
2. Press the **Setup** button to access the setup menu.
3. Press the **Arrow** (◀ ▶) buttons to highlight the CHANNEL icon. Press the **Enter** button.
4. Press the **Arrow** (▲ ▼) buttons to highlight the Favorites icon. Press the **Enter** button.
5. Use the **Arrow** (▼ ▲) buttons to select the desired channels and then press the **Enter** button.

Viewing Favorites

1. Press the **Source** button to switch to TV mode.
2. Press the **Favorites** button to view a list of your saved favorites.

Setting the Clock

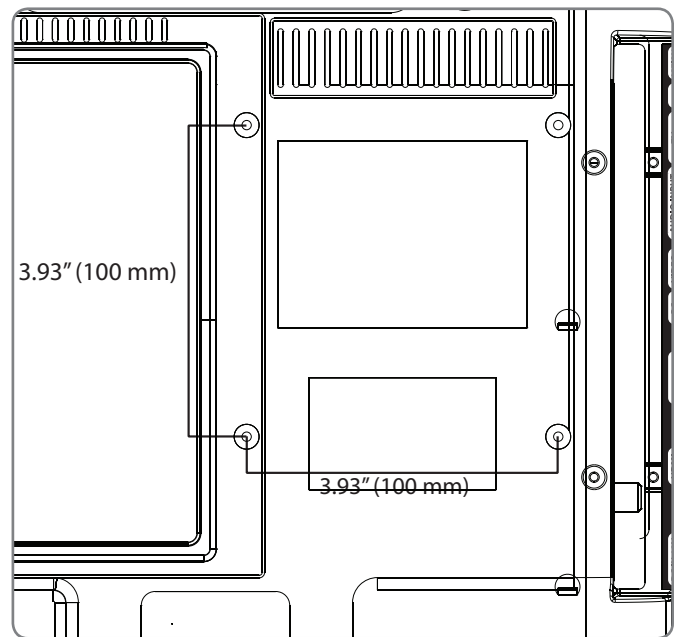
1. Press the **Setup** button to access the setup menu.
2. Press the **Arrow** (◀ ▶) buttons to highlight the TIME icon. Press the **Enter** button.
3. Press the **Arrow** (▲ ▼) buttons to highlight TIME ZONE. Press the **Arrow** (◀ ▶) buttons to select your current time zone.
4. Press the **Arrow** (▼ ▲) buttons to highlight AUTO CLOCK. Press the **Arrow** (◀ ▶) buttons to turn auto clock off and on. *When the correct time zone is set, auto clock will automatically set your clock and date for you.*
5. To set the time and date manually, turn auto clock off, highlight CLOCK, and use the **Arrow** and **Enter** buttons to manually set the time and date.

Mounting to a Wall

Specifications

- 100mm x 100mm spacing (ht. x wth.)
- M4 bolt pattern and thread pitch
A 10 to 15mm long bolt is recommended, depending on the thickness of the wall bracket selected.

WE STRONGLY RECOMMEND HAVING THIS TELEVISION MOUNTED PROFESSIONALLY.



Company Information

International Support

To download this User's Guide in English, Spanish, and French, or to get answers to frequently asked questions, visit the support section at:

www.gpx.com

Para descargar este Manual del Usuario en inglés, español y francés, o para obtener respuestas a preguntas frecuentes, visite la sección de apoyo en:

www.gpx.com

Pour télécharger ce guide de l'utilisateur en anglais, espagnol ou français, ou pour obtenir des réponses à des questions fréquemment posées, consultez la rubrique d'assistance sur:

www.gpx.com

Contact Information

Website: www.gpx.com

Email Support: prodinfo@dpiinc.com

Email Parts: partsinfo@dpiinc.com

Phone Support: 1-888-999-4215

Warranty

For Warranty Information and the most up-to-date version of this User's Guide, go to:

www.gpx.com

Green Initiative



Environmental Commitment to 'Protect for Today and Sustain for Tomorrow'

On a continual basis DPI, Inc. is making efforts to sustain the environment and improve the recyclability of its products and packaging.

Focusing on "protecting for today and sustaining for tomorrow" DPI, Inc. has committed to reducing packaging size, increasing the usage of recyclable plastics, and ensuring that packaging and manuals are made with up to 85% recycled material. In addition to material consideration, DPI, Inc. has also focused on the finer details that positively impact the environment such as employing the usage of soy-based inks.

DPI, Inc. also ensures that the factories that produce the company's wide variety of consumer electronics adhere to environmentally friendly air and water restrictions. This is yet another example that every step of the way DPI, Inc. is making efforts to lessen any impact on the environment.

In 2011 DPI, Inc. also began conversations with Energy Star in order to ensure that the consumer electronics being produced meet high standards of energy efficiency. The ultimate goal is keeping energy costs for consumers low while providing quality, feature-rich products.