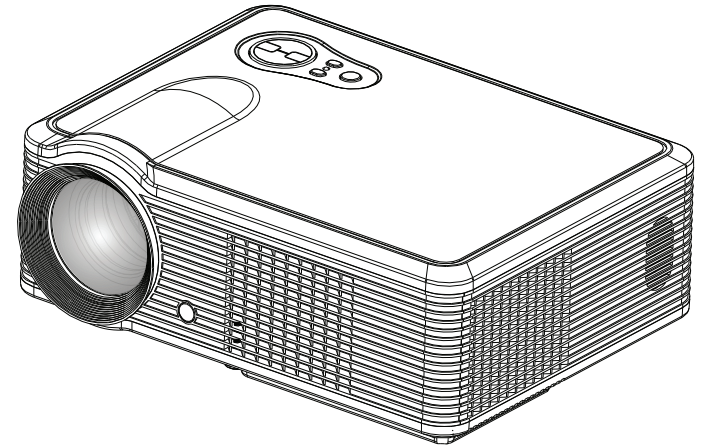


RioHD-LED-3T



FAVI
ENTERTAINMENT

Introduction	1
Safety instructions	2
Projector overview	3
Main unit overview	3
Remote control overview	4
Top panel layout	5
Input panel layout	5
Starting up your projector for the first time	6
Powering down your projector	6
Focus adjustment	7
Keystone adjustment	7
Installation	8
Installation methods	9
Image size	10
Image adjustment	10
Menu	11
Menu overview	11
Picture menu	11
Sound menu	12
System menu	12
PIP menu	13
PC menu	14
Geometry menu	14
Maintenance	15
Cleaning the lens	15
Cleaning the projector's casing	15
Fuse changing	16
Air filter maintenance	16
Troubleshooting	17
Specifications	19
Accessories	20
Warranty and support information	21

Your RioHD-LED-3T projector is warrantied to be free of defects in material and workmanship for a period of 45 days from the date of receipt. Should your projector develop an issue requiring it to be repaired within this time frame, we will repair or exchange any defective unit at no cost to you.

FAVI Entertainment will pay round trip shipping for warranty claims within the USA. (Excludes: HI, AK, APO, USA Territories, and international orders.

After 45 days have passed, your projector will then be covered under our parts warranty, which is valid up to one year from the date of receipt. We will bill you a flat rate for repair and shipping costs before accepting the unit back for repair. You will not be billed for the cost of replacement parts.

The above warranties will be considered null and void in the event of damage caused by misuse, neglect, improper handling, or improper installation.

FAQ's, and other support information can be found at

<http://www.favientertainment.com/help.asp>

Your projector should come with the following accessories:

Remote control
Power cord
A/V cable
VGA cable
This user guide

If any of the above accessories are missing, please contact the distributor that you purchased the projector from.

Thank you for purchasing the FAVI RioHD-LED-3T. The RioHD-LED-3T uses a long lasting, high power LED lamp to deliver a bright, vibrant image. This projector comes with such features as:

- 30,000 hour lamp life
- Composite, S-video, Component, VGA, and dual HDMI ports allow multiple devices to be connected to the projector simultaneously.
- Simple input selection: Change inputs with the press of a button.
- Full support for 4:3 and 16:9 aspect ratios.
- Digital zoom support.

Designed to provide high performance at an economic price, the RioHD-LED-3 is well suited for both business and home theater use.

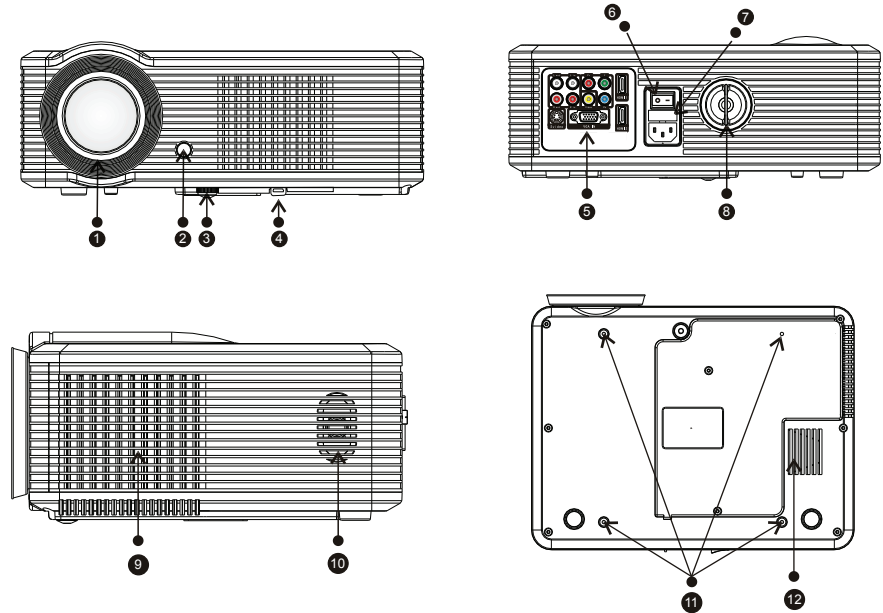
- Do not operate the projector in an environment where the temperature is above 104° F. Doing so could damage your projector and void your warranty.
- Do not expose this projector to liquids or extreme humidity. If the projector's casing becomes dirty, use a damp soft cloth to clean it. Please unplug the projector before cleaning it.
- This projector should be placed on a stable surface or mounted securely prior to being operated. Improper placement or mounting may cause damage to the unit.
- While the projector is operating, do not look directly into the lens.
- This projector needs adequate ventilation in order to operate properly. Inadequate ventilation will cause the projector to overheat and shut down. Excessive overheating could damage the projector's internal optics.
- If you do not plan to use the projector for an extended period of time, or if an electrical storm develops, please unplug the projector. An electrical surge could damage your projector.
- Do not expose this projector to direct sunlight.

LCD	5" TFT
LCD native resolution	800x600
Supported resolutions	480i, 480p, 720p, 1080i, 1080p VGA resolutions from 640x480 to 1920x1080
Video inputs	HDMI x2, VGA, Component, S-Video, Composite
Audio inputs	HDMI audio, Stereo line input jacks
LED lamp life	30,000 hours
LED lamp power	100 watts
Projected image size	60 - 200 inches
Operating voltage	100 to 240 VAC 50/60 Hz
Power consumption	120 watts
Operating temperature	32°F - 104° F
Storage temperature	0°F - 120° F
Operating temperature	10% - 90%
Size	12 ⁷ / ₈ x 10 ³ / ₄ x 4 ¹ / ₂
Weight	7 ¹ / ₂ LBS

Problem:	Solution:
<p>I can't display my computer's desktop in VGA mode.</p>	<ul style="list-style-type: none"> • To rule out connection issues, try shutting down your computer, and connecting the projector as your only display. Your computer should detect the projector. If you see your OS startup screen, but not your desktop, your resolution or refresh rate may be set to an incompatible mode. • If you're using a laptop, some laptops have a 'Projector mode' that must be enabled before they will output to your projector. Other laptops have a key combination (usually FN+F5) that needs to be pressed in order to activate their external VGA port. If you're not sure how your laptop outputs to an external display, please contact the manufacturer of your laptop.
<p>The projector is shutting down by itself.</p>	<ul style="list-style-type: none"> • The projector may have inadequate ventilation. • The room temperature may be too high.

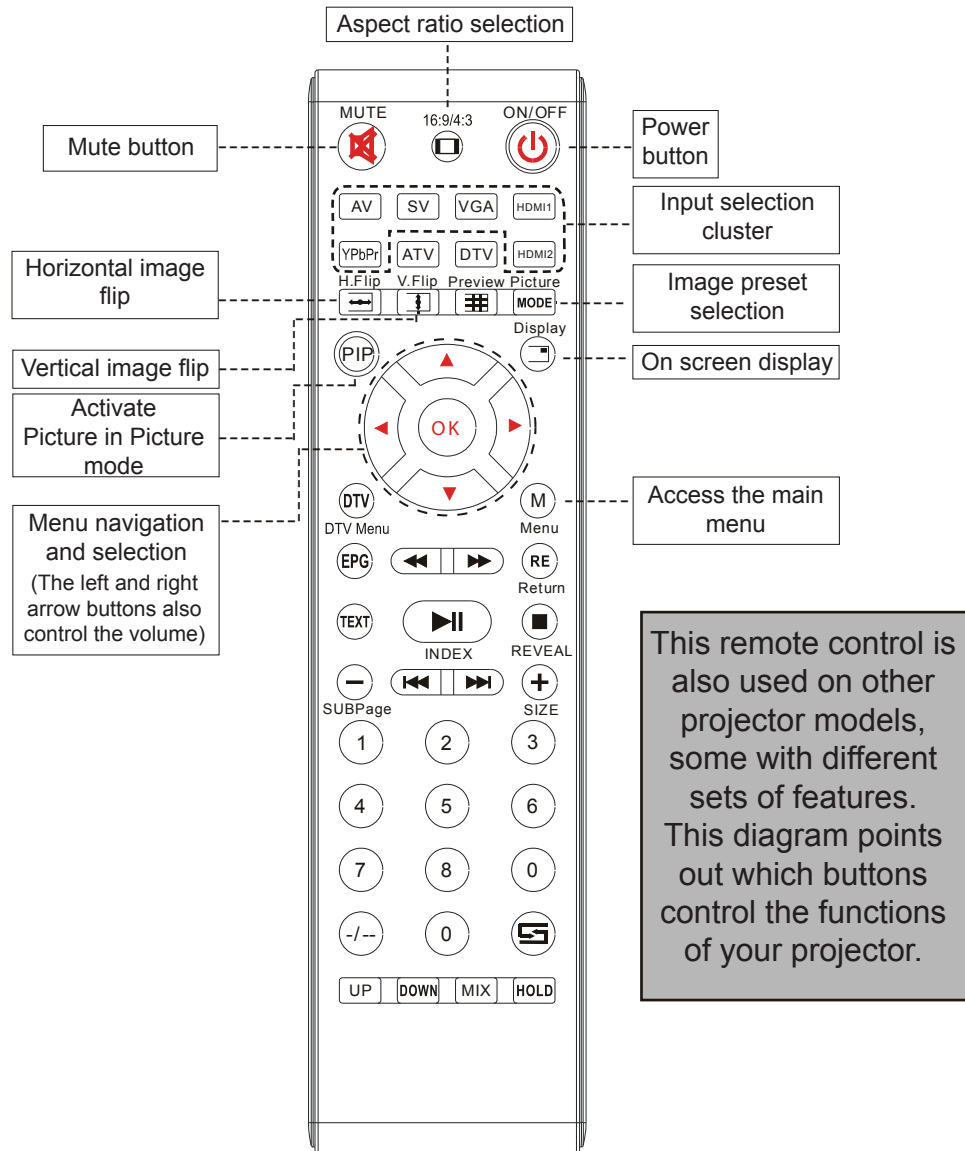
Main unit overview:

The following diagrams point out the features of your projector:



- 1: Lens
- 2: IR receiver
- 3: Height adjustment foot
- 4: Air filter removal tab
- 5: Input panel
- 6: Main power switch
- 7: Fuse retainer
- 8: Keystone control
- 9: Ventilation output
- 10: Speaker
- 11: Ceiling mount attachment points
- 12: Ventilation slot

Remote control overview:



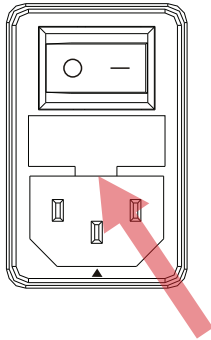
If you have any issues with using your RioHD-LED-3T, before contacting us please refer to the following troubleshooting guide:

Problem:	Solution:
Projector will not power on.	<ul style="list-style-type: none"> • Check the power cord and power outlet. • Check the fuse and replace if necessary.
The remote control does not work.	<ul style="list-style-type: none"> • Check the batteries. • Try aiming at the IR sensor on the front of the projector.
I have a video source connected, but the projector shows "NO SYNC".	<ul style="list-style-type: none"> • Check to make sure the projector is set to the correct mode. If using HDMI, check to make sure the projector is set to display from the correct HDMI port. • Check your video source, and video cables.
Small text is hard to read in VGA mode.	<ul style="list-style-type: none"> • Set your desktop resolution to 1280x960 or lower for displaying in 4:3 mode. Set it to 1280x768 or lower if displaying in 16:9 mode. • Increase the size of the text being displayed.

Fuse changing:

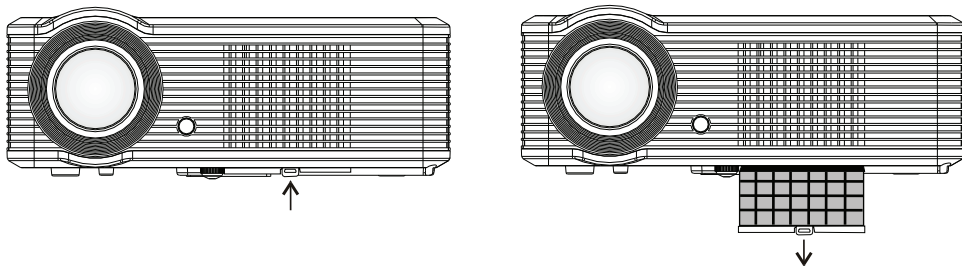
Your projector comes with a replaceable fuse that is designed to protect the unit in the event of a power surge.

To replace the fuse, remove the fuse retainer by inserting a small slotted screwdriver in the area shown in the diagram below, and gently prying the fuse retainer out.



Air filter maintenance:

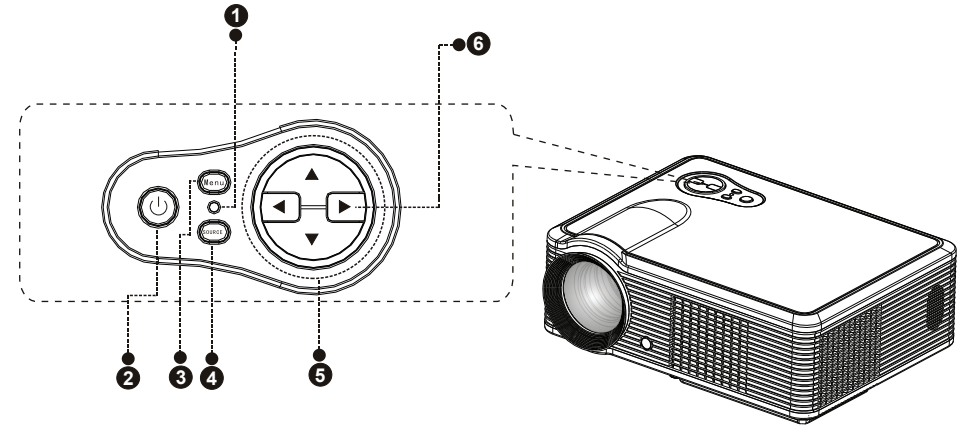
Your projector has a removable air filter located on the front of the unit that should be cleaned at least once a month, or more often in a dusty environment. Gently push down on the tab shown in the diagram below, and slide out the filter.



Rinse out the filter with water and allow it to air dry before replacing it.

Top panel layout:

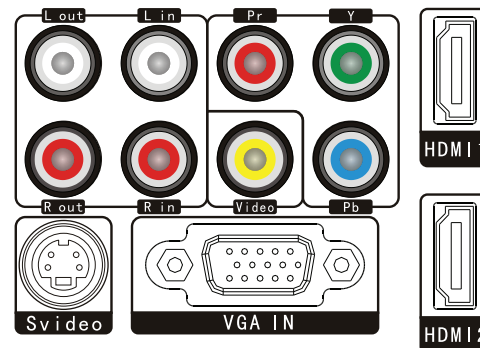
All of your projector's functions and menu settings can be accessed using the buttons on the top cover. Some of these buttons have more than one function.



- 1: Indicator LED
- 2: Power button
- 3: Main Menu button
- 4: Source Menu button
- 5: Navigation arrow buttons / Volume adjustment
- 6: When the Source menu is open, this button selects the highlighted source.

Input panel layout:

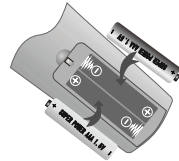
Your projector supports all the inputs listed below:



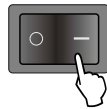
Y/Pb/Pr	Component video input
Video	Composite video input
L out , R out	Line audio output
L in , R in	Line audio input
VGA IN	VGA input
Svideo	S-Video input
HDMI 1	HDMI inputs
HDMI 2	

Starting up your projector for the first time:

Step 1: Insert two AAA batteries into the remote control.



Step 2: Flip the main power switch to the on (—) position.



Step 3: Press the power button on the remote, or on the projector.



The projector's lamp should light up within a few seconds. The focus and keystone correction may need to be adjusted. Please see the section on focus and keystone adjustment. After the necessary adjustments are made, your projector will be ready to use.

Powering down your projector:

Press the power button on either the remote or the projector to turn it off. The projector will enter a shut down mode. In the shut down mode, the cooling fans will continue to operate for up to 90 seconds. During this cooling down period, you will not be able to turn the unit back on. It is recommended to let at least 15 minutes pass before turning the projector back on. Rapid powering on and off cycles will shorten the life of your projector's lamp.

Cleaning the lens:

After using your projector, the lens cover should be replaced to keep dirt and dust from getting on the lens. However if the lens becomes dirty, it can be cleaned with a soft cloth and a small amount of window cleaner.

When cleaning the lens, wipe it gently with the cleaning cloth to avoid scratching it.

If the projector is used frequently, or is used in a dusty environment, the lens should be checked at least once a month, and cleaned if necessary.

Cleaning the projector's casing:

If your projector's casing becomes dusty, it should be unplugged, and cleaned by wiping it down with a damp cloth. If necessary the projector's casing can be cleaned with the aid of a mild detergent. Make sure the projector is completely dry before plugging it in.

PC Menu:

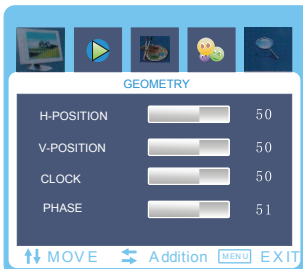
The following menus are only available in VGA mode. In VGA mode, the projector behaves like a PC display. The following menus allow for greater control over how the image displays.



Contrast	0-100	Adjusts the black level in the image.	
Brightness	0-100	Adjusts the white level in the image.	
Color mode	Color temp	Standard	Select between color temperature factory presets.
		Warm	
		Cool	
		S-RGB	
	USER-R	0-100	Adjust the individual RGB levels to your preference.
	USER-G	0-100	
	USER-B	0-100	
Scale	Toggle between 4:3 and 16:9 aspect ratios.		
Auto	Auto adjust VGA timing, position, and centering.		
Picture mode	Adjust the brightness and contrast presets.		

GEOMETRY MENU:

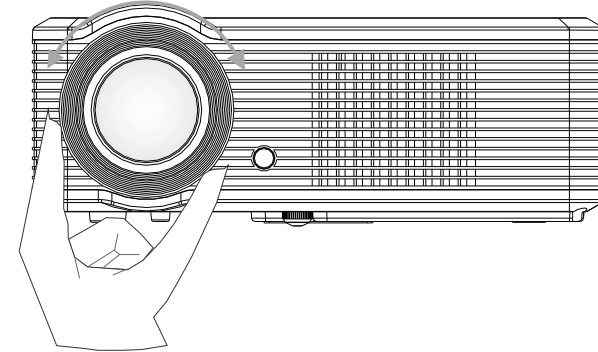
If auto adjusting fails to properly calibrate the image, you can adjust the settings in the geometry menu to fine tune the image to your preference. This menu is accessed from the PC menu by scrolling down past the Picture mode setting.



H-position	Adjust the horizontal position of the image.	
V-position	Adjust the vertical position of the image.	
CLOCK	0-100	Allows for fine tuning of the clock and phase settings to eliminate horizontal streaking or shimmering text if present.
PHASE	0-100	

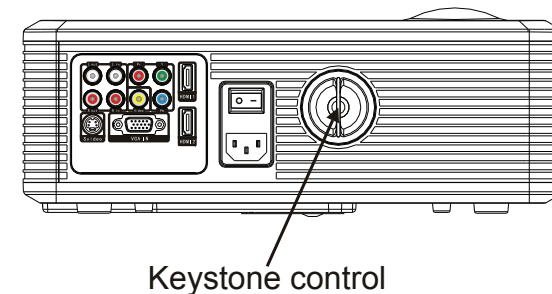
Focus adjustment

Rotate the lens clockwise or counter clockwise to adjust the focus. Rotate clockwise for a larger picture, and counter clockwise for a smaller picture.



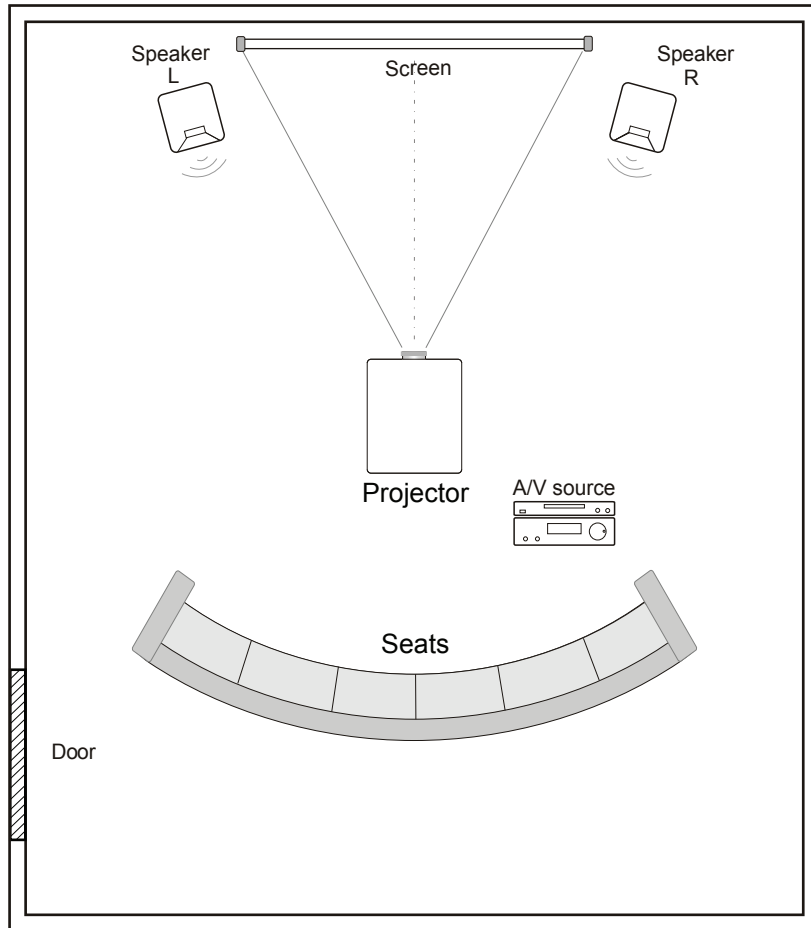
Keystone adjustment

After setting up your projector, and powering it on, the image may look trapezoid shaped even after the projector is properly positioned. You can adjust the keystone control on the back of the unit to correct this. Rotate the control either left or right to adjust the keystone control.



Keystone control

Your projector can be installed in a wide variety of configurations. It supports both front and rear screen projection. Below is a sample diagram featuring a basic front screen projection setup:



For best results regardless of your configuration, the projector should be used in a darkened room, and should be used with screen sizes ranging from 72 to 200 inches.

PIP MENU:

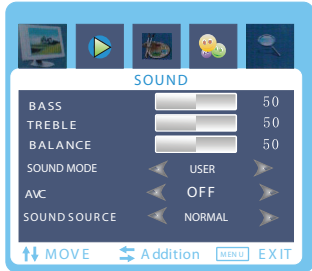
The PIP menu allows you to activate the Picture in Picture function and adjust its settings.



Multi window	Open	Toggles the Picture in picture function, and chooses between the available PIP window options.
	PIP	
	Pop 4:3	
Sub source	Off	Selects which video source will display in the PIP window. Note: If you have the projector set to Component, VGA, or HDMI, you will only be able to select A/V or S-Video for the PIP source.
	A/V	
	S-Video	
	YPBPR	
	VGA	
Size	HDMI 1	Changes the size of the PIP window.
	HDMI 2	
	S/M/L	
Pip position	Up left	Adjusts the position of the PIP window.
	Down left	
	Up right	
	Down right	
Border color	Black/Blue	Changes the PIP window border color.
Sound source	Main window	Changes the sound source for the main and PIP sources.
	Sub window	
Swap		Toggle between the main and PIP sources.

SOUND MENU:

Here you can adjust the audio options to your preference.



Bass	0-100	Adjusts the low frequency response.
Treble	0-100	Adjusts the high frequency response.
Balance	0-100	Adjusts the speaker balance.
Sound mode	Standard	Adjusts the treble and bass levels to one of three factory presets. The user setting allows you to adjust the levels of treble and bass.
	Movie	
	Music	
	User	
AVC	On	Auto Voice Control. Automatically adjusts the volume level to reduce voice distortion.
	Off	
Sound Source	Normal	Speaker only output
	Line	Line only output
	Sound Box	Line and speaker output

SYSTEM MENU:

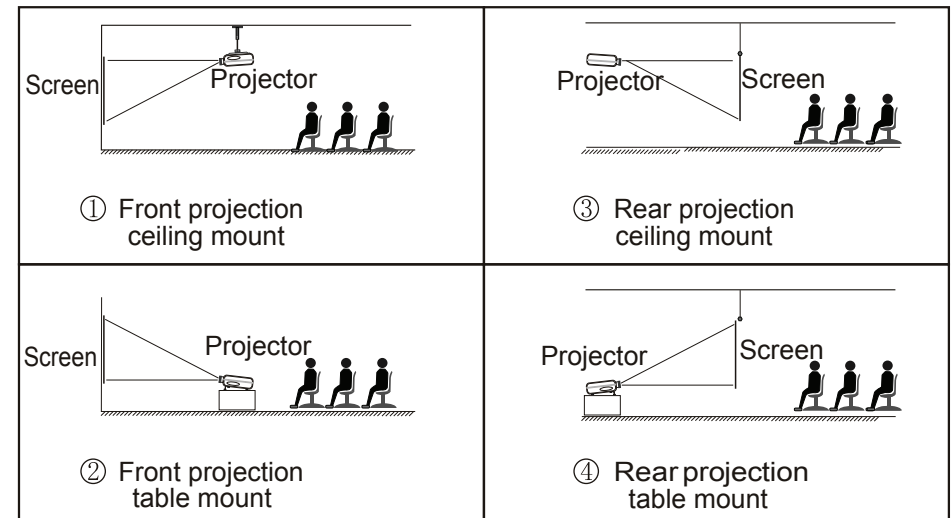
Here you can adjust how the menu system displays on your projector.



Language	Adjusts the language for the menu screens.	
H-Position	0-100	Adjusts the menu's horizontal position.
V-Position	0-100	Adjusts the menu's vertical position.
Flip horizontal	Off-On	Toggles the Horizontal image flip option.
Flip vertical	Off-On	Toggles the Vertical image flip option.
Mem-Recall	Restores all settings to their factory defaults.	

Installation methods

There are several ways to install your projector, depending on your needs. This projector can be set on a table or mounted to the ceiling. It supports both front and rear screen projection. Below are some examples of how this projector can be set up.



FAVI recommends that a professional installer be contacted to install a ceiling mount for your projector. If installing a ceiling mount yourself, please follow the instructions that came with your mount. This projector must be installed in an area where nothing can interfere with the ventilation slots.

Image size:

Image sizes are measured diagonally and are approximate.

4:3 mode

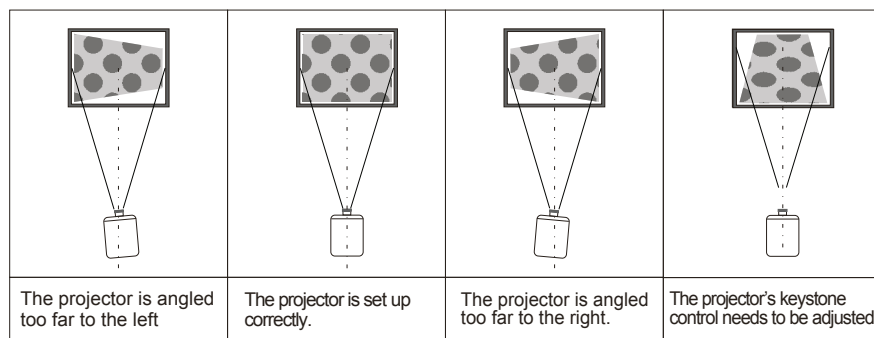
Distance from screen	Projected image size
103 inches	72 inches
117 inches	82 inches
131 inches	92 inches
143 inches	100 inches
171 inches	120 inches
214 inches	150 inches
286 inches	200 inches

16:9 mode

Distance from screen	Projected image size
111 inches	72 inches
126 inches	82 inches
142 inches	92 inches
154 inches	100 inches
185 inches	120 inches
231 inches	150 inches
308 inches	200 inches

Image adjustment:

For best image results, the projector should be directly facing the screen. Adjustments to the focus and keystone controls will help to improve the picture. Please see the diagram below for examples of correct and incorrect setup:



Menu overview:

Press the MENU button on either the remote or the projector to bring up the main menu.

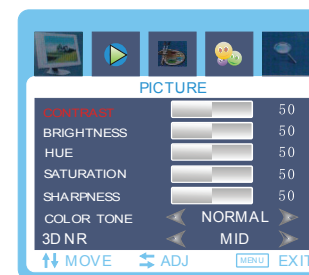
In the main menu, use the up and down navigation arrow buttons (▲/▼) to highlight the menu option that you want to adjust. Use the left and right arrow buttons (◀/▶) to adjust the highlighted option.



To exit from a sub menu, press the Menu button. Press it again to exit the main menu screen.

Picture Menu:

The Picture menu allows you adjust the image to your liking. The available options are outlined below:



Contrast	0-100	Adjusts the black level in the image.
Brightness	0-100	Adjusts the white level in the image.
Hue	0-100	Adjusts the tint of the image.
Saturation	0-100	Adjusts the amount of color saturation.
Sharpness	0-100	Adjusts the image sharpness.
Color tone	Standard	Color tone presets.
	Cool	Adds more warmth or coolness to the image
	Warm	
3D NR	High	3D noise reduction. Reduces 'noise' in the picture.
	Mid	
	Low	
	Off	