

ECD260

Compact High Resolution DSP
Indoor Color Dome Camera



Indoor Dome Cameras

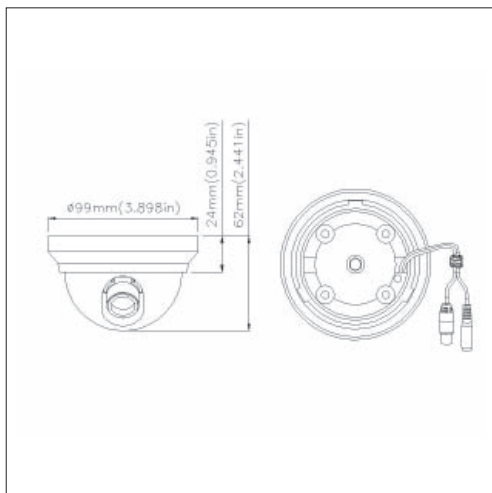
Features

- Color dome camera with Sony 1/3" Super HAD CCD Sensor and 420TVL resolution
- Sony Digital Signal Processor (DSP) chip-set for superior image control
- High sensitivity, low smear, high anti-blooming and high S/N ratio for high performance video
- Build-in Auto Electronic Shutter (AES), Auto Gain Control (AGC) and Auto White Balance (ATW)
- DC power cable and video cable and power pigtail provided
- Built-in anti-aliasing function to improve perceived video image quality

Specifications

Pickup Device	1/3" SONY Super HAD CCD
Video Format	NTSC or PAL (depends on model selected)
Picture Elements	510 x 492 (NTSC), 500 x 582 (PAL)
Horizontal Resolution	420 TVL
Sensitivity	0.1 LUX / F2.0
S/N Ratio	Over 48dB (AGC off)
Electronic Shutter	1/60(1/50)s~1/100,000s
Video Output	BNC 1.0Vp-p 75Ω
Gamma Correction	0.45
Lens Type	Board Lens 3.6mm F2.0
Gain Control	Auto
White Balance	ATW (2500°K~9500°K)
Sync. Mode	Internal Sync.
Power Source	12VDC
Power Consumption	12VDC: 1.2W max.
Operating Temperature	-10°C~50°C / 14°F~122°F
Humidity	20%~ 80% non-condensing
Dimensions (O.D. x H)	100mm x 60mm / 4" x 2.4"
Weight	103 g / 0.23 lbs
Certifications	CE / FCC

Dimensions



Ordering Information:

ECD260: Color dome, 420 TVL, 3.6mm, 12VDC

* Models vary in different countries. Please visit EverFocus regional websites for detailed ordering information
* Lens models and availability vary in different regions

* All product specifications are subject to change without notice