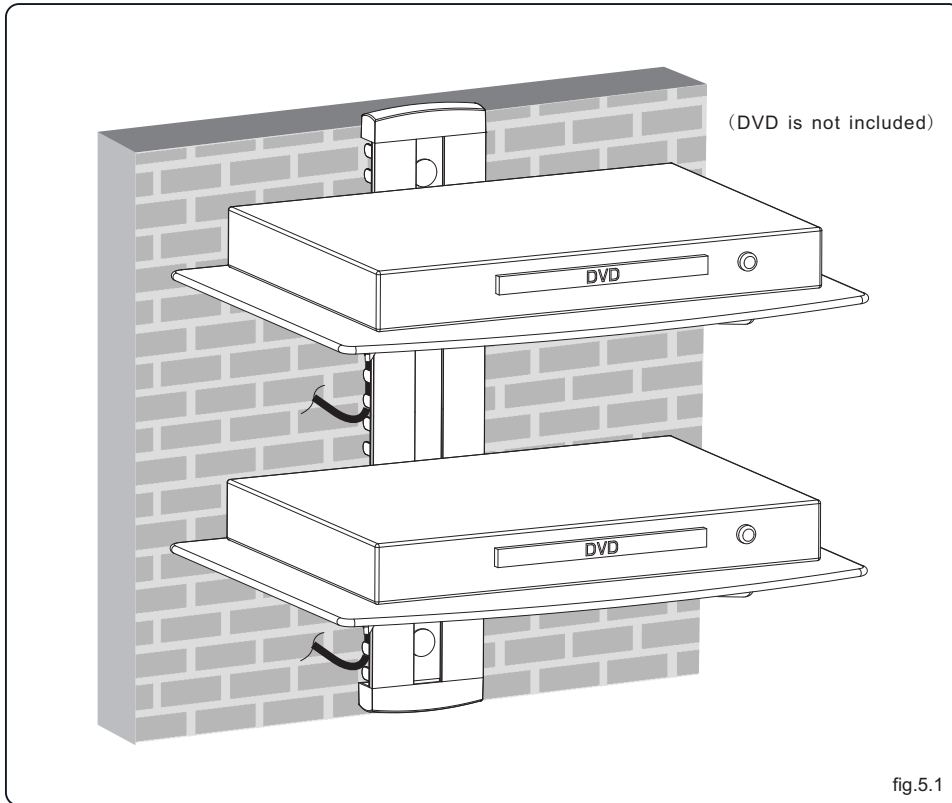


## 5 Cable Management

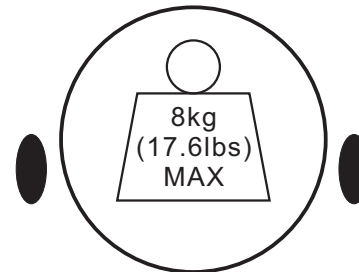
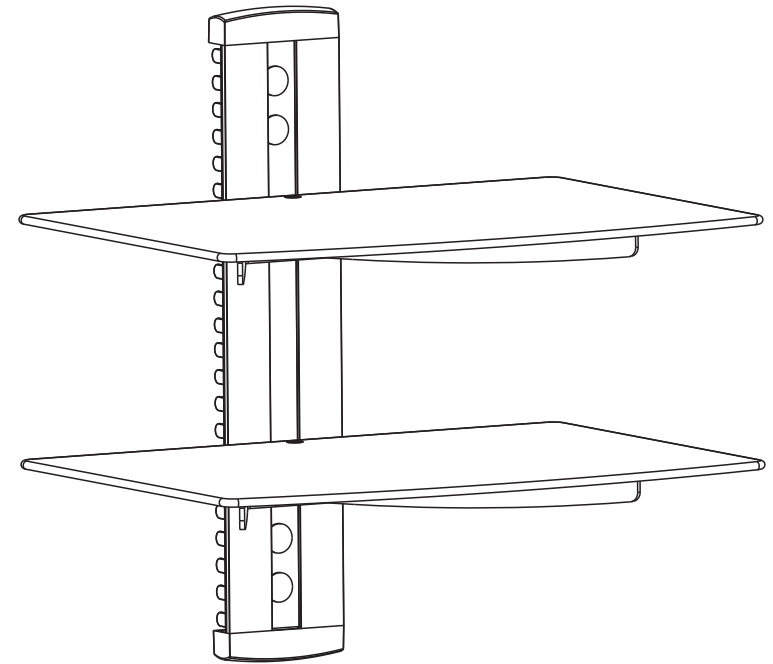
After installing the DVD wall mount, place DVD gently on the mounted glass shelves. Run the cable through the cable clips as shown in fig.5.1.



### Maintenance

- Once you have mounted the DVD bracket, check if they are sufficiently secured. You should check whether the screws are securely tightened every two months.
- If you have any doubts regarding the installation, please consult our retailer or service department for details.

## INSTALLATION INSTRUCTIONS



DVD Wall Mount

**Model: EMD212**

Max Load Capacity: 8kg(17.6lbs)

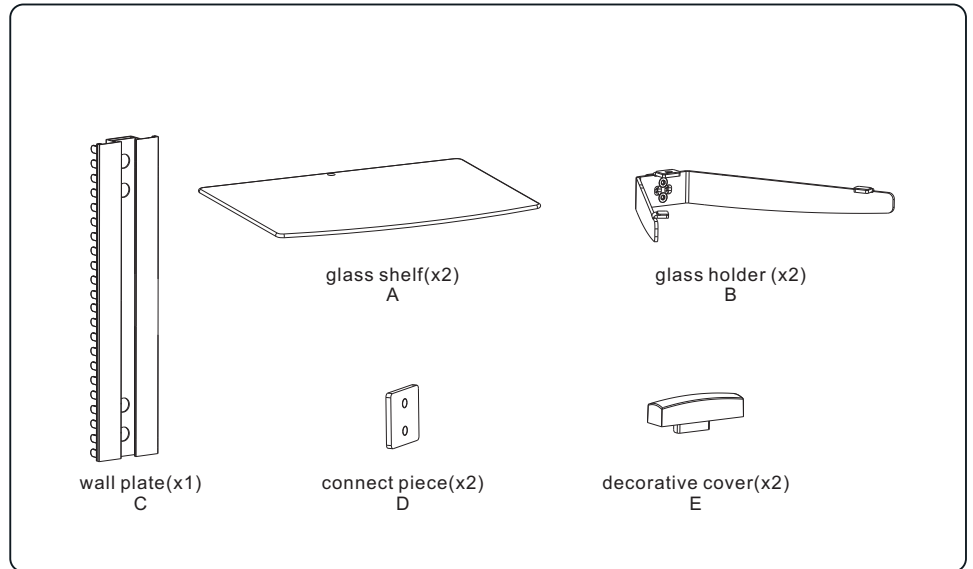
**NOTE:** Read the entire instruction sheet before you start installation and assembly.

## **WARNING**

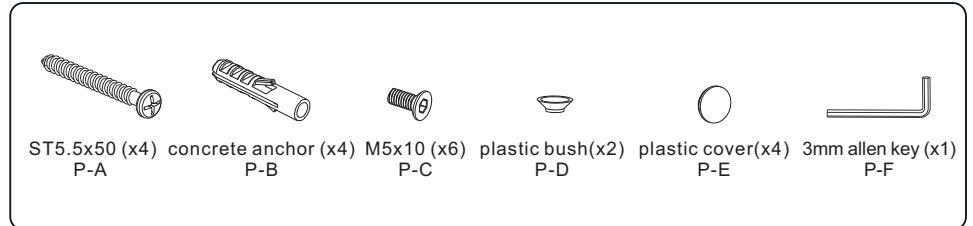
- Do not begin the installation of the product before you have read and understood the instructions and warnings contained in this installation sheet. If you have any question regarding any of the instructions or warnings, please contact your local distributor.
- Please refer to the installation guide for required distance from wall to avoid risk of property damage.
- This product should only be installed by someone of good mechanical aptitude, with experience in basic building.
- Make sure that the supporting surface will safely support the combined load of the equipment and all attached hardware and components.
- Never exceed the maximum load capacity.
- If mounting to wood wall studs, make sure that mounting screws are anchored into the center of the studs. Use of an “edge to edge” stud finder is highly recommended.
- Always use an assistant or mechanical lifting equipment to safely lift and position equipment.
- Tighten screws firmly, but do not over tighten. Over tightening can damage the items, greatly reducing their holding power.
- This product intended for indoor use only. Using this product outdoors could lead to product failure and personal injury.

## **Component Checklist**

**IMPORTANT:** Ensure you have received all parts against the component checklist prior to installing. If any parts are missing or faulty, contact the seller for a replacement.



## **Package**



## **Tools required**

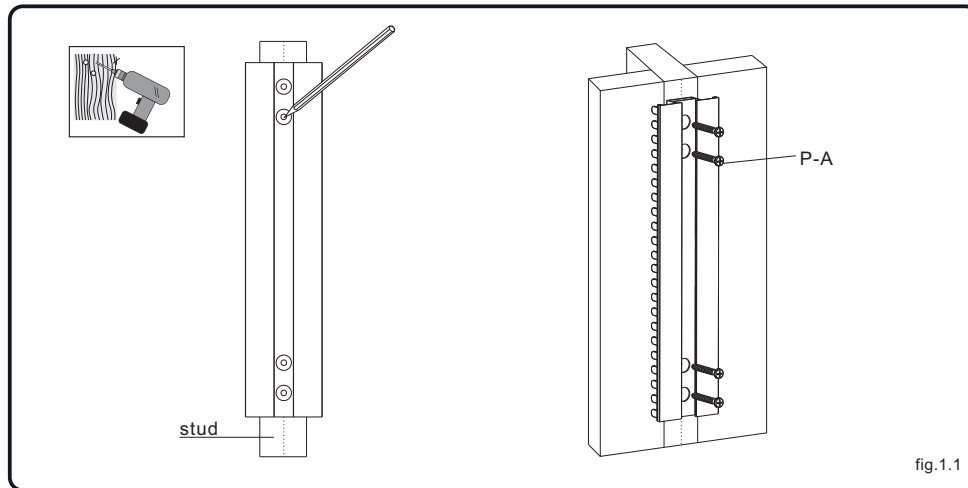
- Phillips Head Screw driver ( 200mm length exclude the handle )
- Electric drill and 8mm masonry bit for concrete wall installation
- Marking Pen
- Hammer

## 1a WOOD STUD WALL MOUNTING:

### WARNING

- Make sure that the supporting surface will safely support the combined load of the equipment and all attached hardware and components.
- Tighten wood screws firmly, but do not over tighten. Over tightening can damage the screws, greatly reducing their holding power.
- Make sure that mounting screws are anchored into the center of the studs. Use of an “edge to edge” stud finder is highly recommended.
- Hardware provided is for attachment of mount through standard thickness drywall or plaster into studs. Installers are responsible to provide hardware for other types of mounting situations.

- Use a stud finder to locate the edges of the studs. Use of an edge-to-edge stud finder is highly recommended. Based on their edges, draw a vertical line down each stud's center.
- Place wall plate on wall as a template. And mark the center of the four mounting holes. Make sure that the mounting holes are on the stud centerline.
- Drill four 1/8" (3mm) dia. Holes 1.2" (30mm) deep. Secure it using four screws (P-A), make sure that the wall plate is level as shown in fig. 1.1.

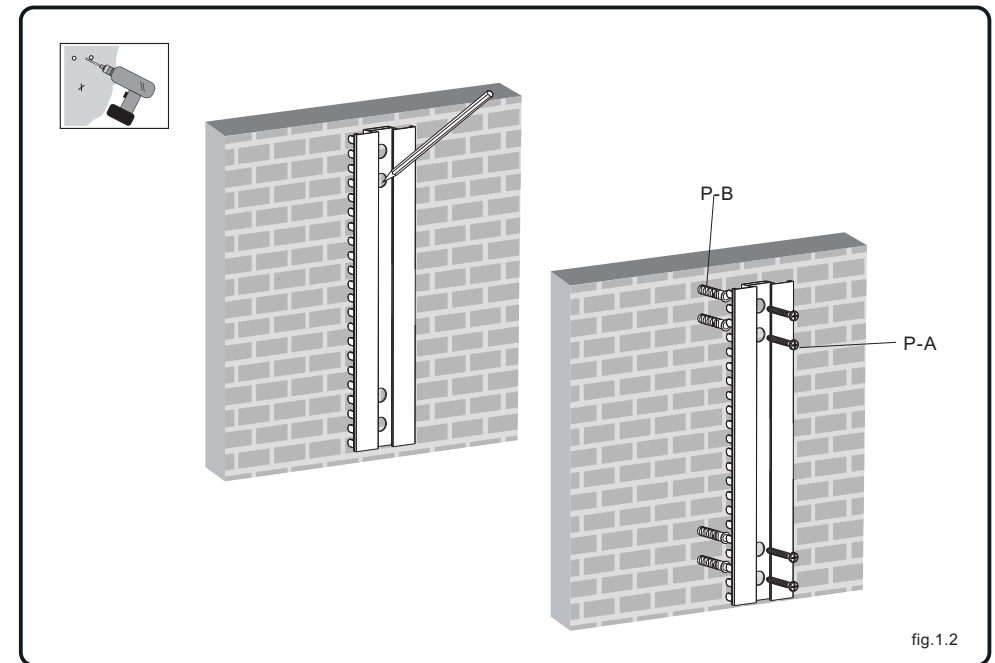


## 1b SOLID BRICK AND CONCRETE BLOCK MOUNTING:

### WARNING

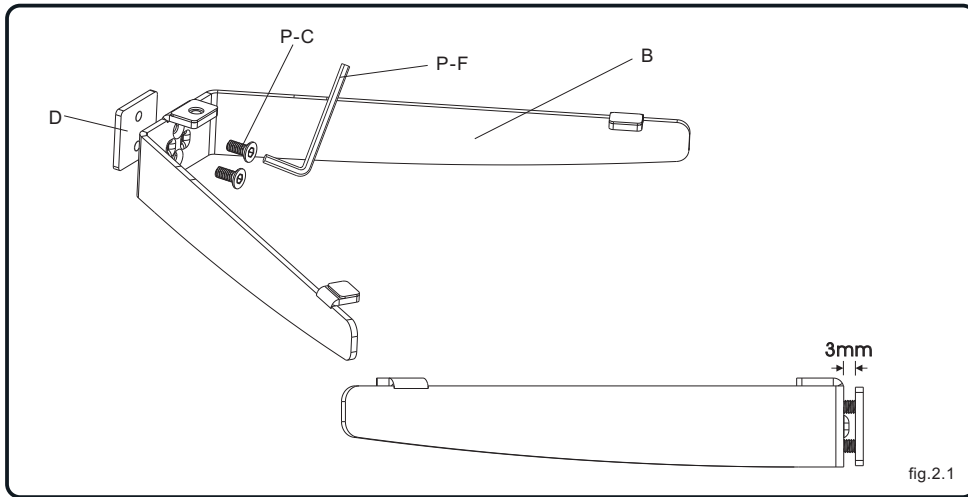
- When installing wall mounts on cinder block, verify that you have a minimum of 1-3/8" of actual concrete thickness in the hole to be used for the concrete anchors. Do not drill into mortar joints! Be sure to mount in a solid part of the block, generally 1" minimum from the side of the block. It is suggested to use a slow setting is used to drill the hole instead of a hammer drill to avoid breaking out the back of the hole when entering a void or cavity.
- Installer must verify that the supporting surface will safely support the combined load of the equipment and all attached hardware and components.

- Use the wall plate as a template to mark four holes locations on the wall as shown in fig.1.2.
- Pre-drill these holes with an 8mm masonry bit to at least 50mm in depth. Insert a Concrete Anchor (P-B) into each of these holes. Attach the wall plate to the wall using four screws (P-A), make sure that the wall plate is level as shown in fig.1.2.



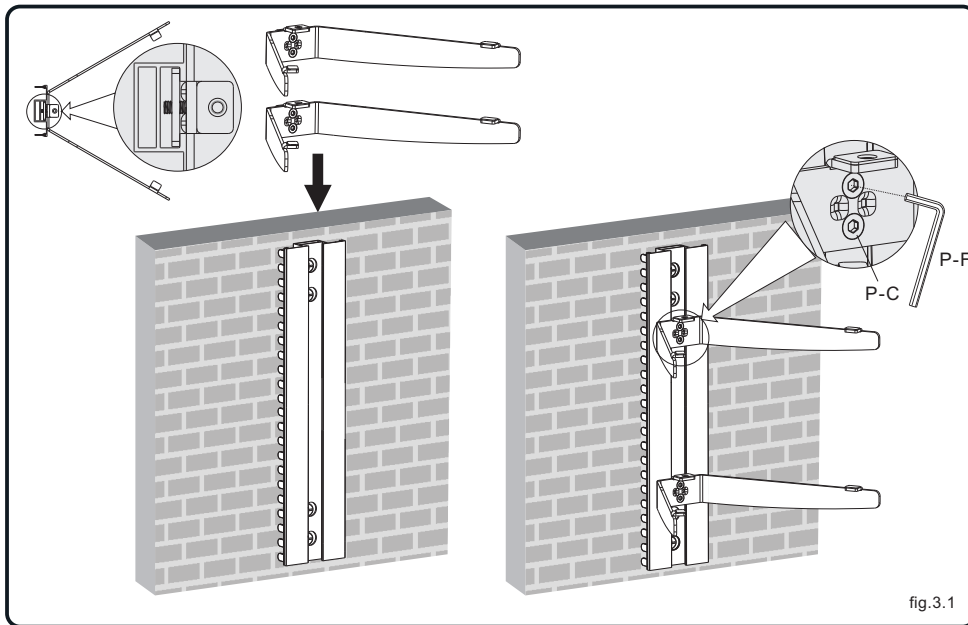
## 2 Assembling The Glass Holder

- Attach the connecting piece to the glass holder using two screws and space reserved 3mm as shown in fig.2.1.
- Use the same method to assemble the other glass holder

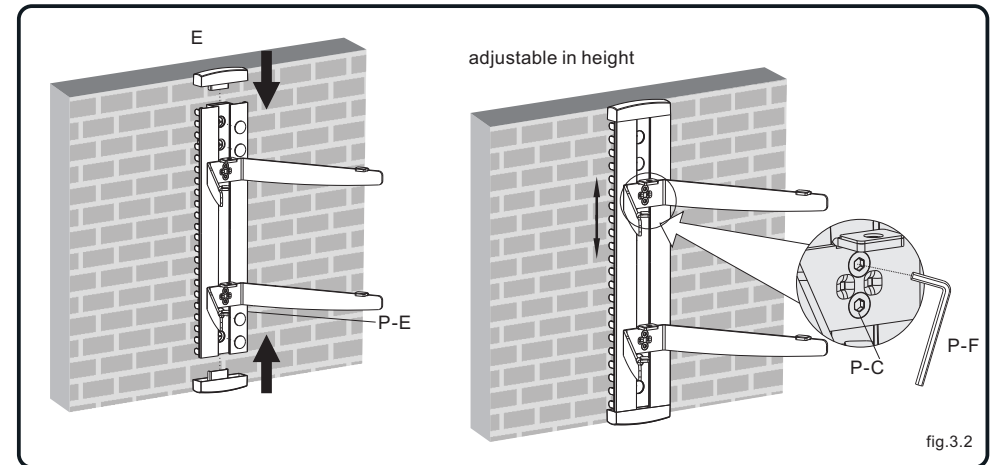


## 3 Installing The Glass Holder

Insert the two glass holders into the wall plate rail at the desired height respectively, and then tighten four screws with a 3mm Allen key as shown in fig.3.1 .



- Insert two decorative covers to the top and bottom of wall plate respectively and install four plastic covers as shown in fig.3.2.
- You can adjust the height of the glass holders as needed. Loosen the screws with a 3mm Allen key (but do not remove) to adjust the glass holders at the desired height and then tighten screws with a 3mm Allen key as shown in fig.3.2.



## 4 Installing The Glass Shelf

Place the glass shelves gently on the two glass holders respectively. Attach the glass shelves to the glass holders using screws and plastic bushing, tighten screws with a 3mm Allen key but don't tighten completely at this time. Center the glass shelves over holes, securely tighten screws with a 3mm Allen key as shown in fig.4.1.

