



# CHAPTER 3

## Installing the Cisco ASA 5505

---

### Installing the Chassis

This section contains the following topics:

- [Connecting the Interface Cables, page 3-1](#)
- [Powering on the Cisco ASA 5505, page 3-3](#)
- [Installing a Cable Lock, page 3-4](#)
- [Rack or Wall Mounting the Cisco ASA 5505, page 3-4](#)

### Connecting the Interface Cables

This section describes how to connect the cables to the Ethernet and Console ports.



**Warning**

---

**Only trained and qualified personnel should install, replace, or service this equipment.** Statement 49

---



**Caution**

---

Read the safety warnings in the *Regulatory Compliance and Safety Information for the Cisco ASA 5505 Adaptive Security Appliance* and follow proper safety procedures when performing these steps.

---

To connect cables to the ports perform the following steps:

- 
- Step 1** Place the chassis on a flat, stable surface.
  - Step 2** Before connecting a computer or terminal to the ports, check to determine the baud rate of the serial port. The baud rate must match the default baud rate (9600 baud) of the Console port of the adaptive security appliance. Set up the terminal as follows: 9600 baud (default), 8 data bits, no parity, 1 stop bits, and Flow Control (FC) = Hardware.
  - Step 3** Connect the cables to the ports.

## a. Ethernet ports

**Step 1** Connect Port 0, the outside Ethernet port, to the public network, that is, the Internet:

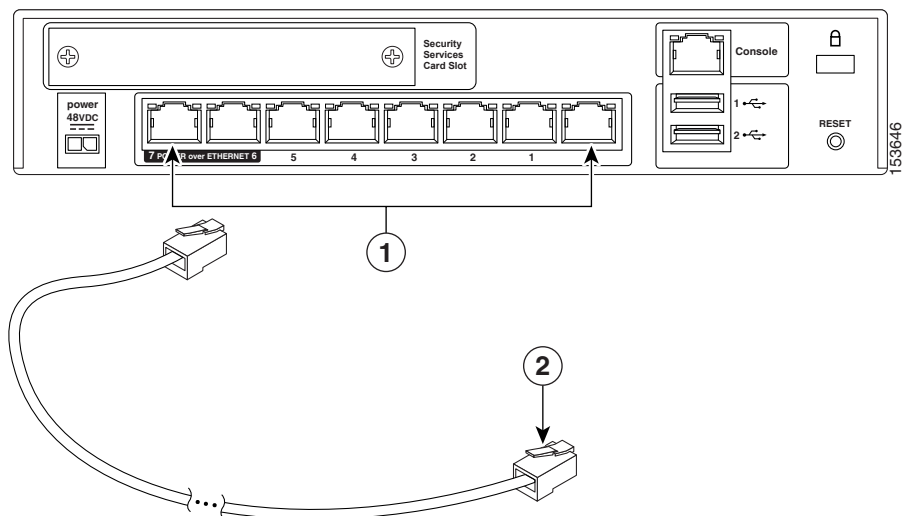


**Note** By default, switch port 0/0 is the outside port. If needed you can change the inside and outside ports assignments later.

**Step 2** Connect your network devices with an Ethernet cable to one of the inside ports (numbered 1 through 7).  
If you are connecting any PoE devices, connect them to one of the switch ports that support PoE (ports numbered 6 and 7).

**Step 3** Check the LINK LED to verify that the network devices have basic connectivity to the Cisco ASA 5505 on one of the inside ports (numbered 0 through 7). When connectivity is established, the LINK LED on the front panel of the Cisco ASA 5505 lights up solid green.

**Figure 3-1** Connecting Cables to Network Interfaces



1	RJ-45 Ethernet ports	2	RJ-45 connector
---	----------------------	---	-----------------

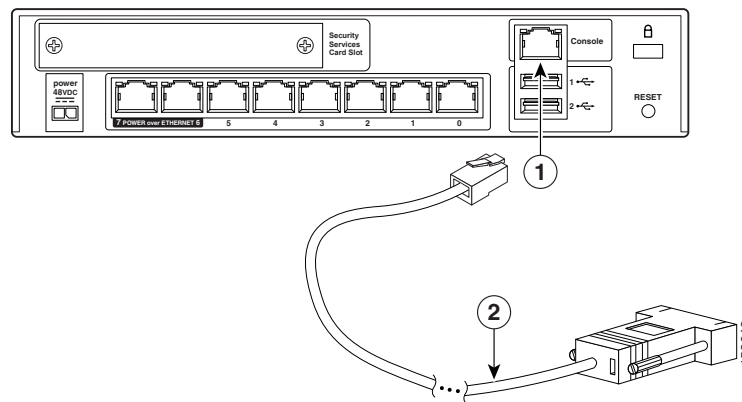
**Step 4** Connect the power cord to the adaptive security appliance and plug the other end to the power source. For information on powering on the chassis, see the [“Powering on the Cisco ASA 5505”](#) section on page 3-3

**b. Console port**

You can access the command line for administration using the console port on the Cisco ASA 5505. To connect to the console port and run a serial terminal emulator on a PC or workstation, perform the following steps:

- 
- Step 1** Plug one end of the PC terminal adapter into a standard 9-pin PC serial port on your PC.
- Step 2** Plug one end of the blue console cable into the PC terminal adapter.
- Step 3** Plug the other end of the blue console cable into the Console port.
- Step 4** Configure the PC terminal emulation software or terminal for 9600 baud, 8 data bits, no parity, and 1 stop bit.
- 

**Figure 3-2 Connecting to the Console Cable**



<b>1</b>	RJ-45 Console port	<b>2</b>	RJ-45 to DB-9 console cable
----------	--------------------	----------	-----------------------------

## Powering on the Cisco ASA 5505

To power on the Cisco ASA 5505, perform the following steps:

- 
- Step 1** Connect the power supply with the power cable.
- Step 2** Connect the small, rectangular connector of the power supply cable to the power connector on the rear.
- Step 3** Connect the AC power connector of the power supply input cable to an electrical outlet.



**Note** The Cisco ASA 5505 does not have a power switch. Completing Step 3 powers on the device.

- Step 4** Check the power LED; if it is solid green, then the device is powered on.



---

**Note** The light will be solid green, only for 100Mbps devices.

---

## Installing a Cable Lock

The Cisco ASA 5505 includes a slot that accepts standard desktop cable locks to provide physical security. The cable lock is not included.

To install a cable lock, perform the following steps:

- 
- Step 1** Follow the directions from the manufacturer for attaching the other end of the cable for securing the Cisco ASA 5505.
- Step 2** Attach the cable lock to the lock slot on the back panel of the Cisco ASA 5505.
- 

## Rack or Wall Mounting the Cisco ASA 5505



### Warning

---

**To prevent bodily injury when mounting or servicing this unit in a rack, you must take special precautions to ensure that the system remains stable. The following guidelines are provided to ensure your safety: This unit should be mounted at the bottom of the rack if it is the only unit in the rack. When mounting this unit in a partially filled rack, load the rack from the bottom to the top with the heaviest component at the bottom of the rack. If the rack is provided with stabilizing devices, install the stabilizers before mounting or servicing the unit in the rack.** Statement 1006

---

The following information can help plan equipment rack installation:

- Allow clearance around the rack for maintenance.
- If the rack contains stabilizing devices, install the stabilizers prior to mounting or servicing the unit in the rack.
- When mounting a device in an enclosed rack, ensure adequate ventilation. Do not overcrowd an enclosed rack. Make sure that the rack is not congested, because each unit generates heat.
- When mounting a device in an open rack, make sure that the rack frame does not block the intake or exhaust ports.
- If the rack contains only one unit, mount the unit at the bottom of the rack.
- If the rack is partially filled, load the rack from the bottom to the top, with the heaviest component at the bottom of the rack.

This section contains the following topics:

- [Mounting the Chassis, page 3-5](#)
- [Installing and Wall-Mounting the Cisco ASA 5505 FIPS Enclosure, page 3-11](#)

# Mounting the Chassis

You can wall-mount or rack-mount the adaptive security appliance. The part number for ordering a wall-mount kit for the adaptive security appliance is ASA-5505-WALL-MNT= , the part number for ordering a rack-mount kit for the adaptive security appliance is ASA5505-RACK-MNT= . This section includes the following topics:

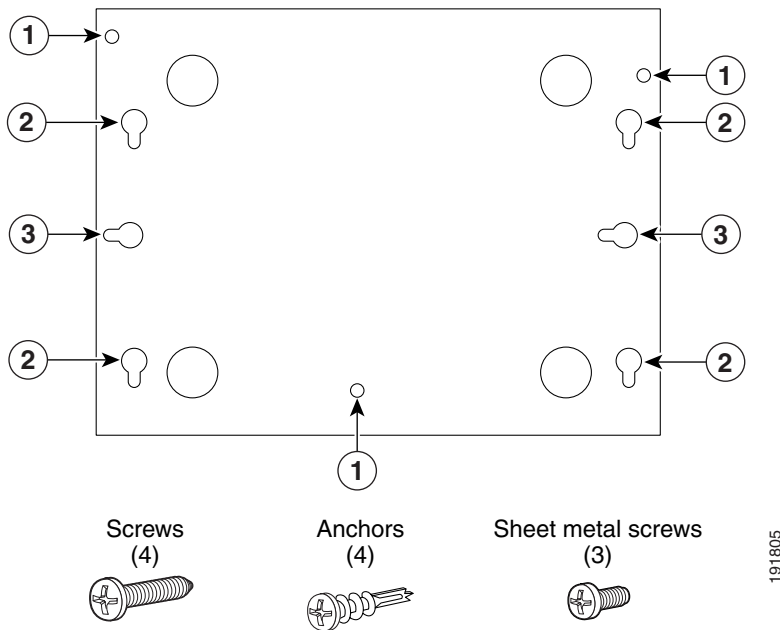
- [Wall-Mounting the Chassis, page 3-5](#)
- [Rack-Mounting the Chassis, page 3-7](#)

## Wall-Mounting the Chassis

To wall-mount the chassis, perform the following steps:

- Step 1** Choose a wall where you would like to mount the adaptive security appliance.
- Step 2** Using the wall-mounting bracket as a template, use a pencil to mark the location for the four plastic anchors, used to secure the adaptive security appliance to the wall. Make sure all the pencil marks are located in the center as shown in [Figure 3-10](#).

**Figure 3-3 Wall-Mounting Bracket**

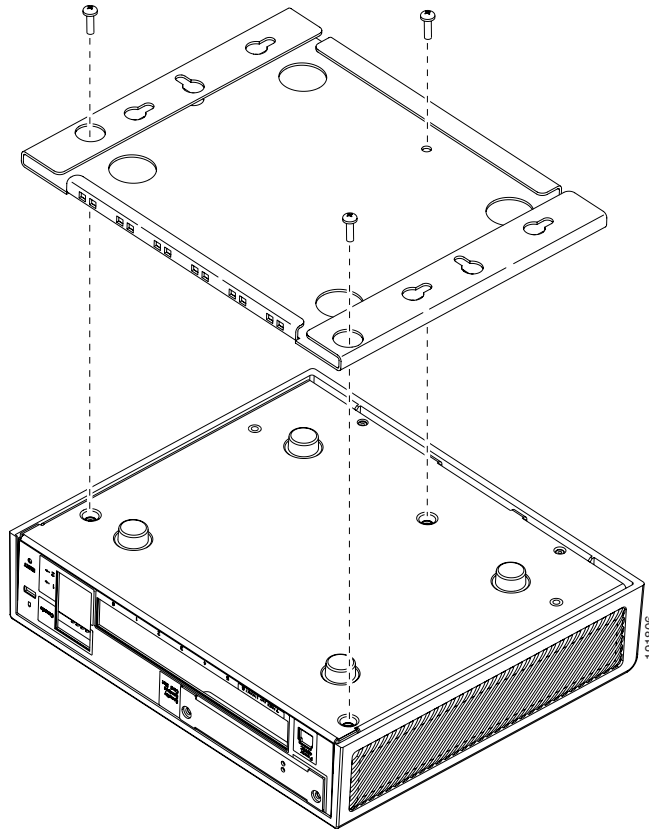


1	M3 x 12 screws	3	Plastic anchors for vertical mounting (optional)
2	Plastic anchors		

- Step 3** Drill a hole on the wall at each mark you made for the location for the plastic anchors.
- Step 4** Press the four plastic anchors into the holes.
- Step 5** Screw the four screws provided in the accessory kit into the anchors, but not all the way. Allow them to protrude about 1/8-inch (0.317 cm).

- Step 6** Remove the three screws from the bottom of the adaptive security appliance as shown in [Figure 3-13](#). Discard these screws as you will not need them.
- Step 7** Place the wall-mount bracket on the adaptive security appliance. Use the three screws provided in the accessory kit to screw the wall-mount bracket to the adaptive security appliance as shown in [Figure 3-13](#).

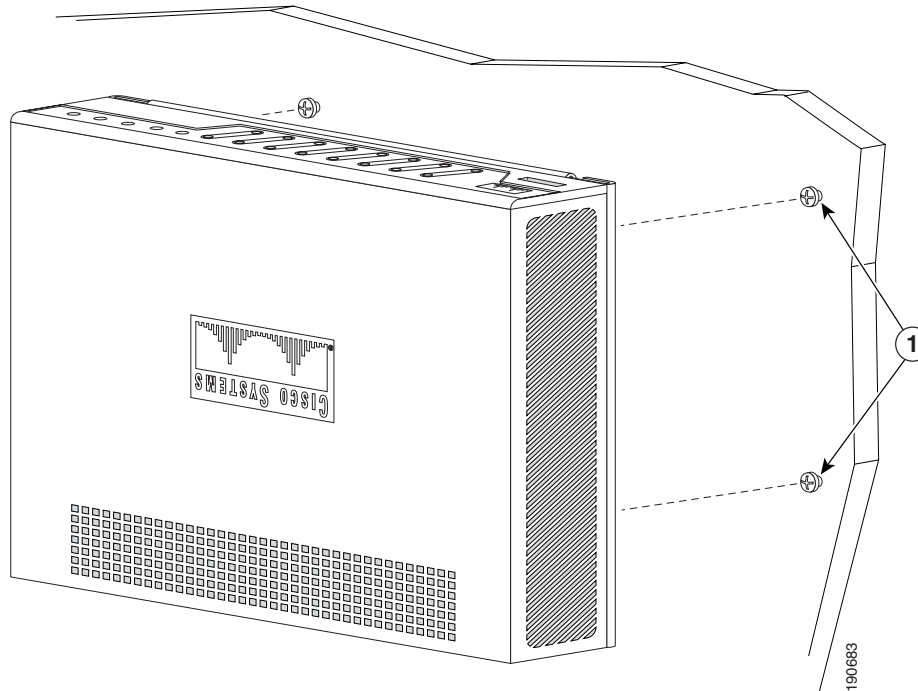
**Figure 3-4** Removing and Replacing the Screws



- Step 8** Pick up the adaptive security appliance with the wall-mount bracket facing the wall, align the screws in the anchors with the holes in the brackets.

- Step 9** Allowing the screws in the anchors to go through the holes in the brackets, mount and slide down the adaptive security appliance.

**Figure 3-5** Mounting the Cisco ASA 5505 Chassis



<b>1</b>	Screws
----------	--------

- Step 10** Connect the interface cables.  
For information on installing the cables, see the [“Connecting the Interface Cables”](#) section.

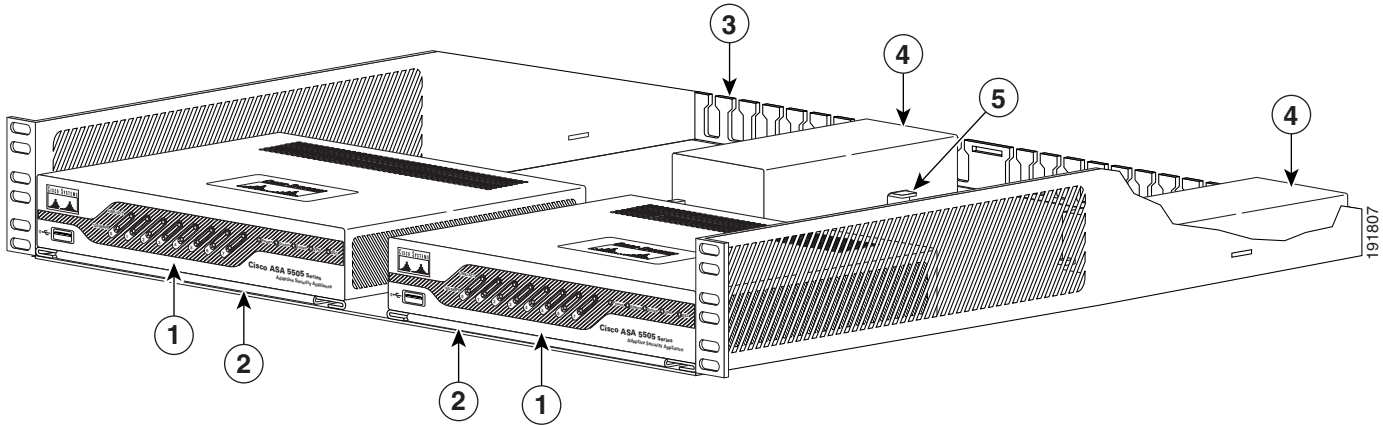
## Rack-Mounting the Chassis

To rack-mount the adaptive security appliance chassis, perform the following steps:

- Step 1** Remove the three screws from the bottom of the adaptive security appliance as shown in [Figure 3-13](#). Discard these screws as you will not need them.
- Step 2** Place the wall-mount bracket on the adaptive security appliance. Use the three screws provided in the accessory kit to screw the wall-mount bracket to the adaptive security appliance as shown in [Figure 3-13](#).

- Step 3** Place the wall-mount bracket with the adaptive security appliance attached to it on the rack mount tray as shown in [Figure 3-6](#).

**Figure 3-6** Placing the Device on the Rack Mount Tray



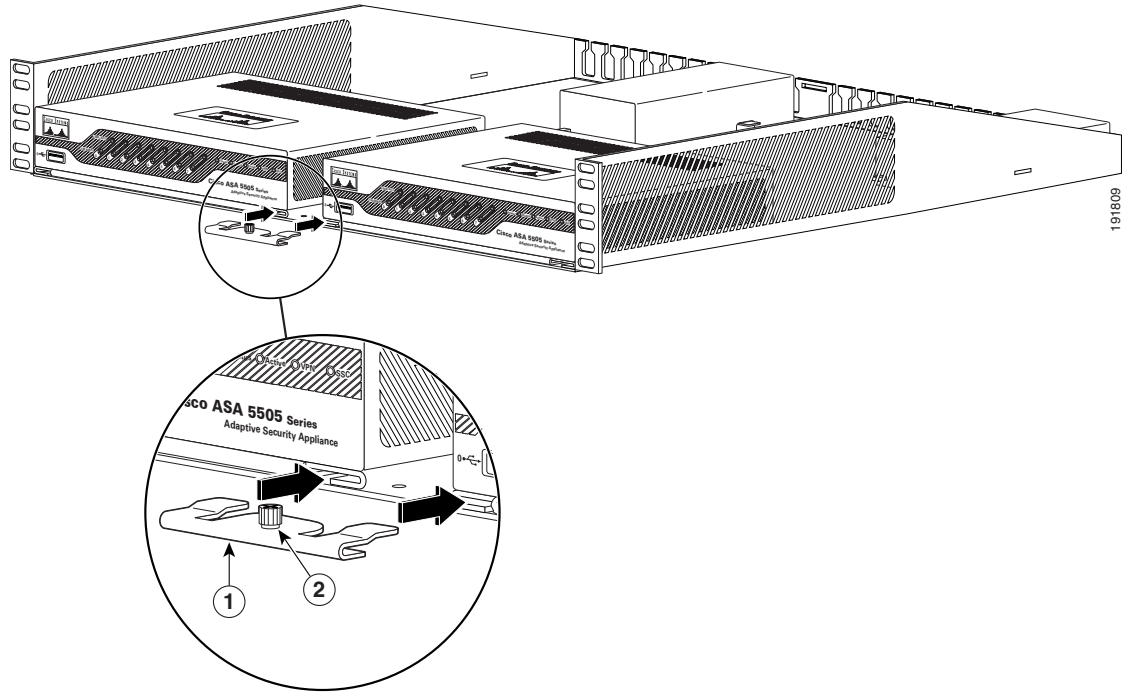
1	Wall-mount bracket	2	Cisco ASA 5505 chassis	5	Velcro
3	Cable manager	4	Power supply		

- Step 4** Place the power supply adapter on the rack-mount tray and use the velcro provided to hold it in place as shown in [Figure 3-6](#).



**Step 5** Screw in the security bracket to the front of the rack mount as shown in [Figure 3-7](#), to hold it in place.

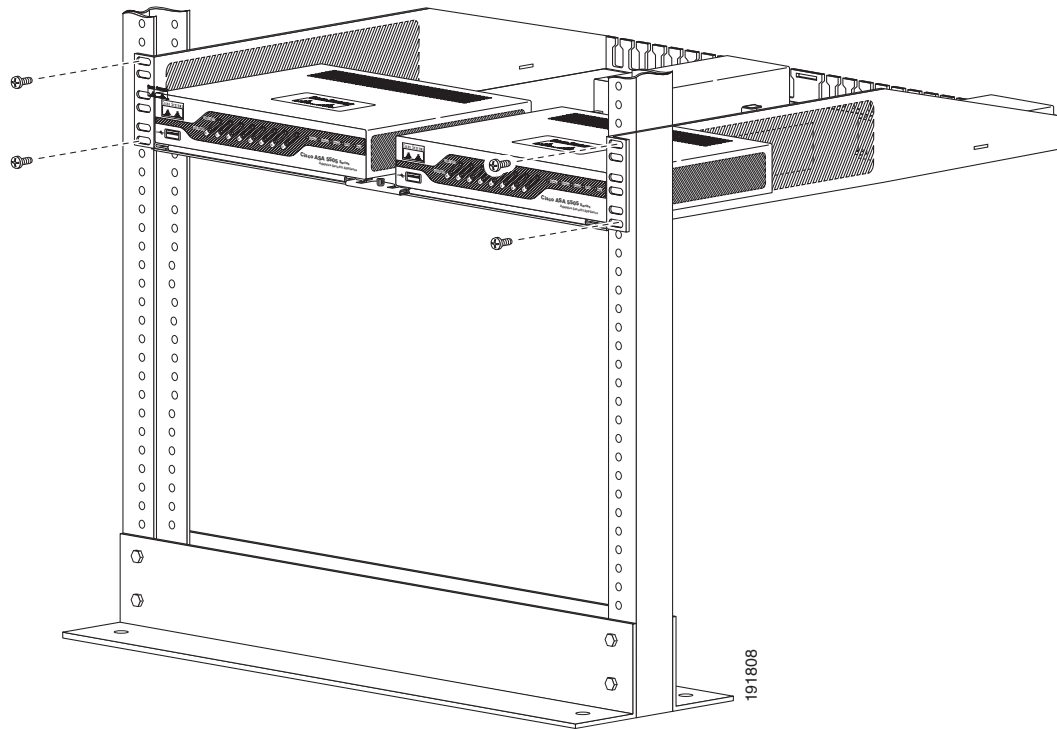
**Figure 3-7 Attaching the Security Bracket**



<b>1</b>	Security bracket	<b>2</b>	Screw
----------	------------------	----------	-------

**Step 6** Attach the rack-mount tray to the rack using the supplied screws, as shown in [Figure 3-8](#).

**Figure 3-8** Attaching the Rack Mount Tray to the Rack



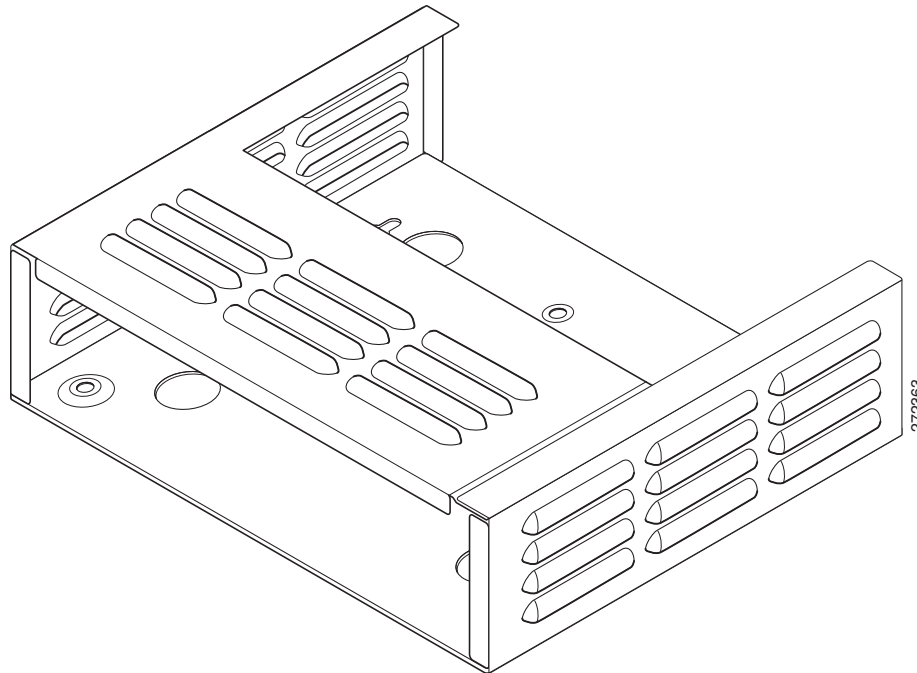
To remove the chassis from the rack, remove the screws that attach the chassis to the rack, and then remove the chassis.

---

## Installing and Wall-Mounting the Cisco ASA 5505 FIPS Enclosure

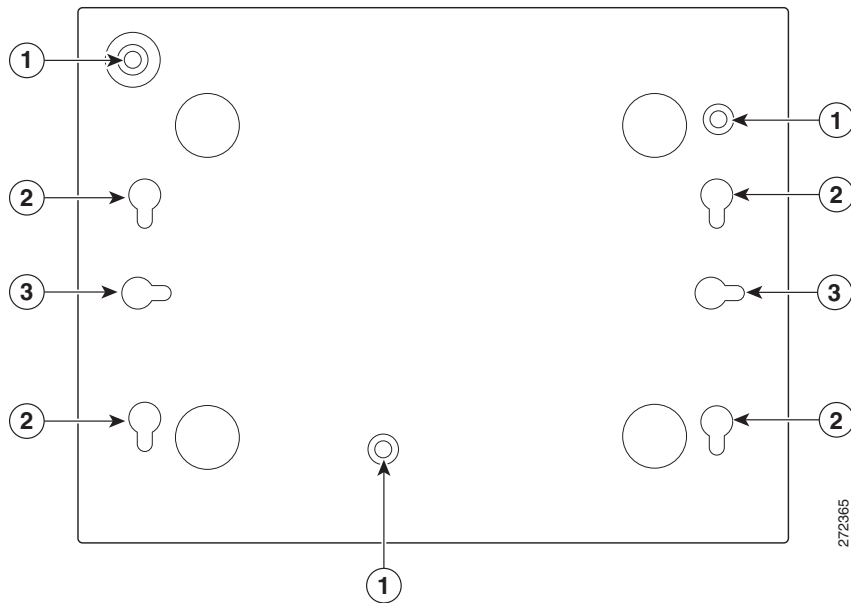
Figure 3-9 shows the FIPS enclosure for the Cisco ASA 5505.

**Figure 3-9** FIPS Enclosure



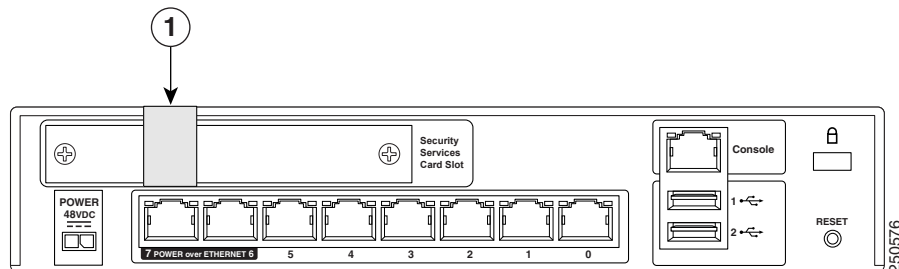
To install and wall-mount the Cisco ASA 5505 FIPS enclosure, perform the following steps:

- 
- Step 1** Choose a wall where you would like to mount the Cisco ASA 5505.
  - Step 2** Using the FIPS enclosure as a template, use a pencil to mark the location for the four plastic anchors, used to secure the adaptive security appliance to the wall. Make sure all the pencil marks are located in the center as shown in [Figure 3-10](#).

**Figure 3-10** Bottom View of the FIPS Enclosure

1	M3 x 12 screws	3	Plastic anchors for vertical mounting (optional)
2	Plastic anchors		

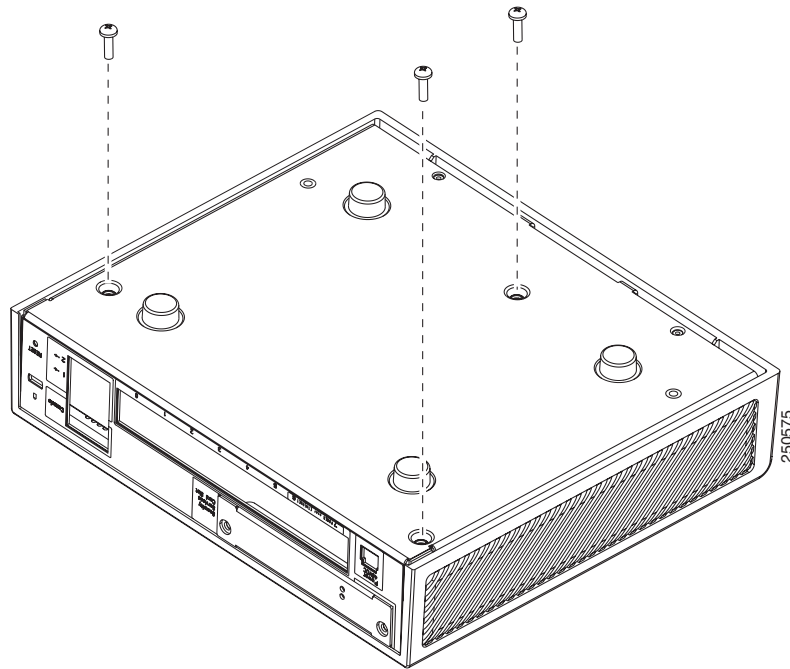
- Step 3** Drill a hole on the wall at each mark you made for the location for the plastic anchors.
- Step 4** Press the four plastic anchors into the holes.
- Step 5** Screw the four screws provided in the accessory kit into the anchors, but not all the way. Allow them to protrude about 1/8-inch (0.317 cm).  
You must apply three tamper evident labels. Tamper evident labels are included in the FIPS kit, Cisco-FIPS-KIT=. Clean the chassis of any grease, dirt, or oil before applying the tamper evident labels. Alcohol-based cleaning pads are recommended for this purpose.
- Step 6** Apply the first tamper evident label as shown in [Figure 3-11](#).

**Figure 3-11** Cisco ASA 5505 Tamper Evident Label Placement

1	Tamper label
---	--------------

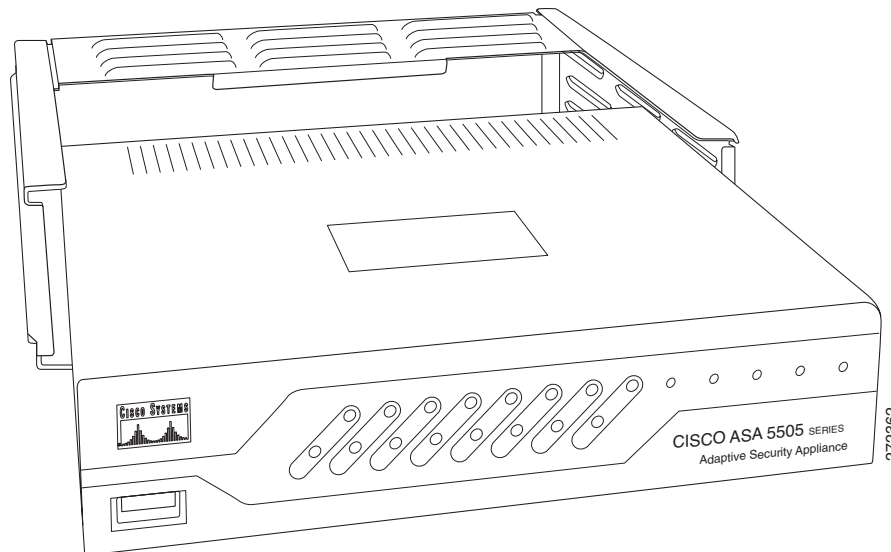
- Step 7** Remove the three screws from the bottom of the Cisco ASA 5505 as shown in [Figure 3-12](#).

**Figure 3-12** Removing the Screws

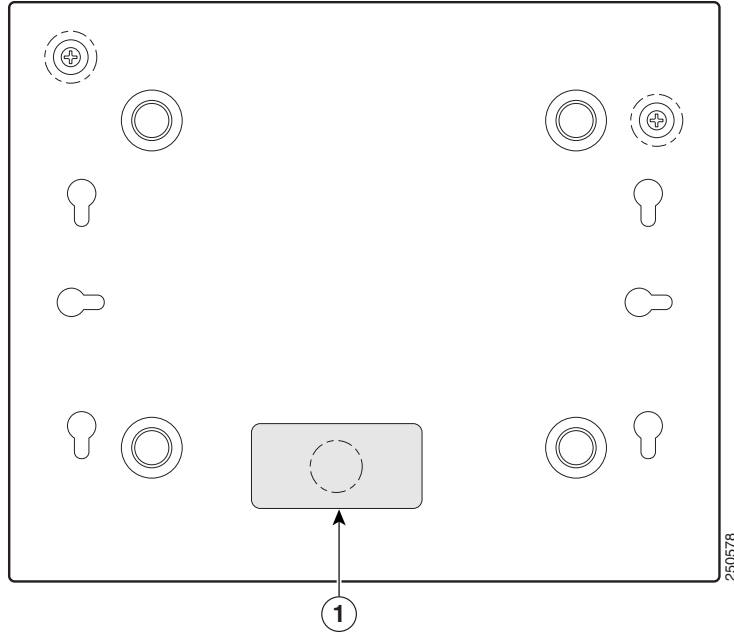


- Step 8** Slide the ASA 5540 into the FIPS enclosure as shown in [Figure 3-13](#).

**Figure 3-13** Sliding the Cisco ASA 5505 Chassis into the FIPS Enclosure

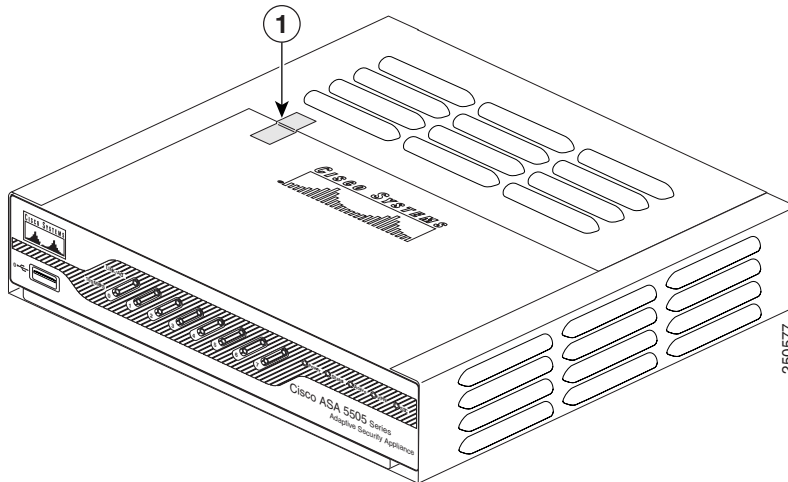


- Step 9** Turn the FIPS enclosure with the chassis securely inside and use the three screws you removed in Step 6 to screw the FIPS enclosure to the Cisco ASA 5505.
- Step 10** Apply the second tamper evident label over the screw as shown in [Figure 3-14](#).

**Figure 3-14** Tamper Evident Label Applied Over the Screw

<b>1</b>	Tamper label
----------	--------------

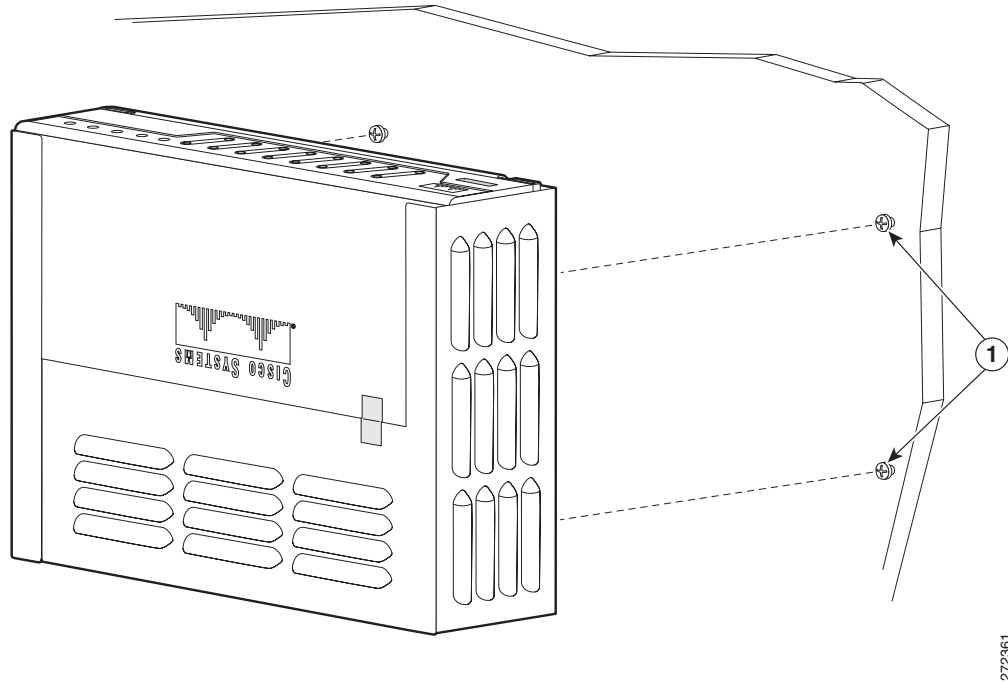
**Step 11** The third tamper evident label should be placed so that the one half of the tamper evident label covers the enclosure and the other half covers the Cisco ASA 5505 chassis as shown in [Figure 3-15](#).

**Figure 3-15** Tamper Evident Label Applied Over the Chassis and the FIPS Enclosure

<b>1</b>	Tamper label
----------	--------------

- Step 12** Pick up the Cisco ASA 5505 with the FIPS enclosure facing the wall, align the screws in the anchors with the holes in the enclosure.
- Step 13** Allowing the screws in the anchors to go through the holes in the enclosure, mount and slide down the Cisco ASA 5505 as shown in [Figure 3-16](#).

**Figure 3-16** Mounting the Cisco ASA 5505 Chassis



272361

<b>1</b>	Screws
----------	--------

- Step 14** Connect the interface cables.  
For information on installing the cables, see the [“Connecting the Interface Cables”](#) section.

