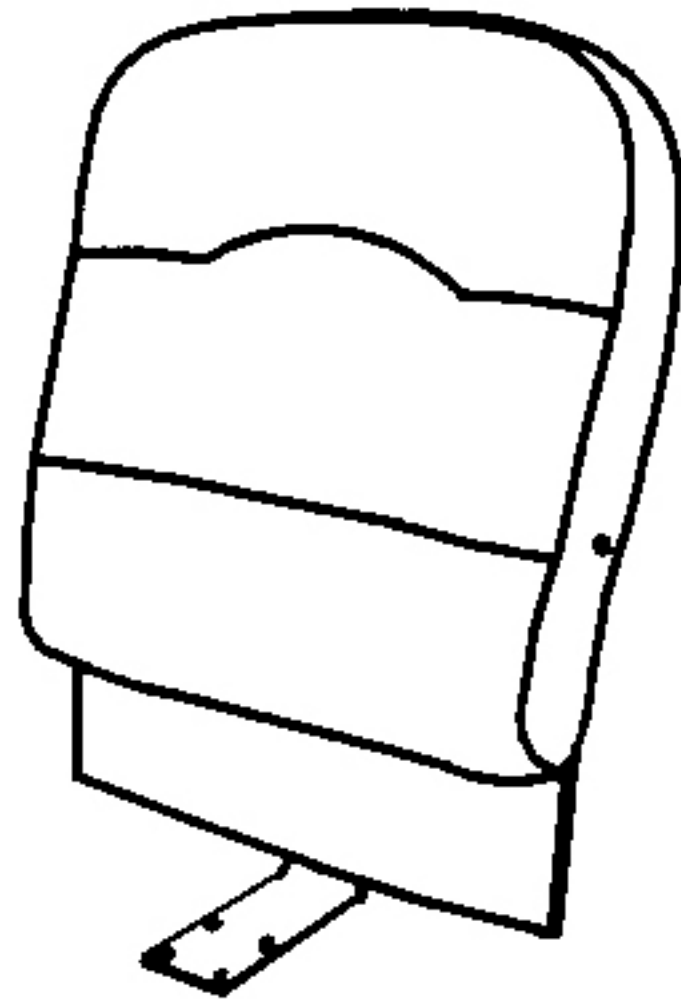
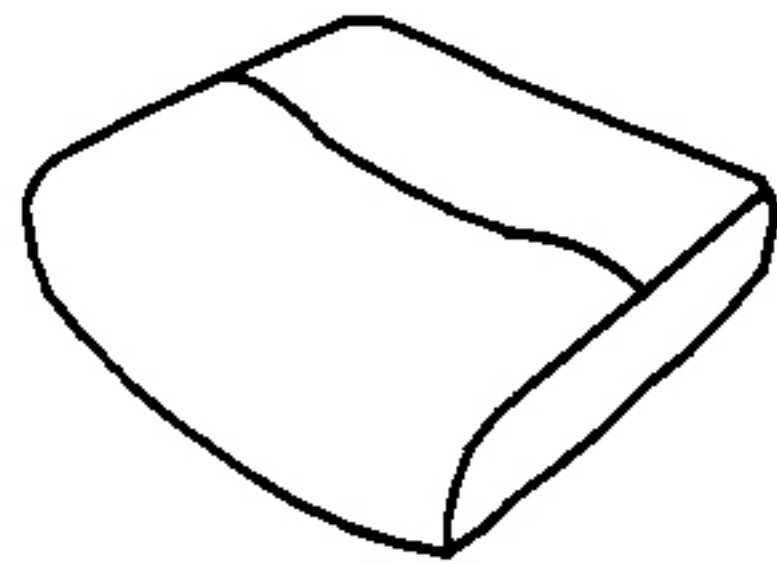
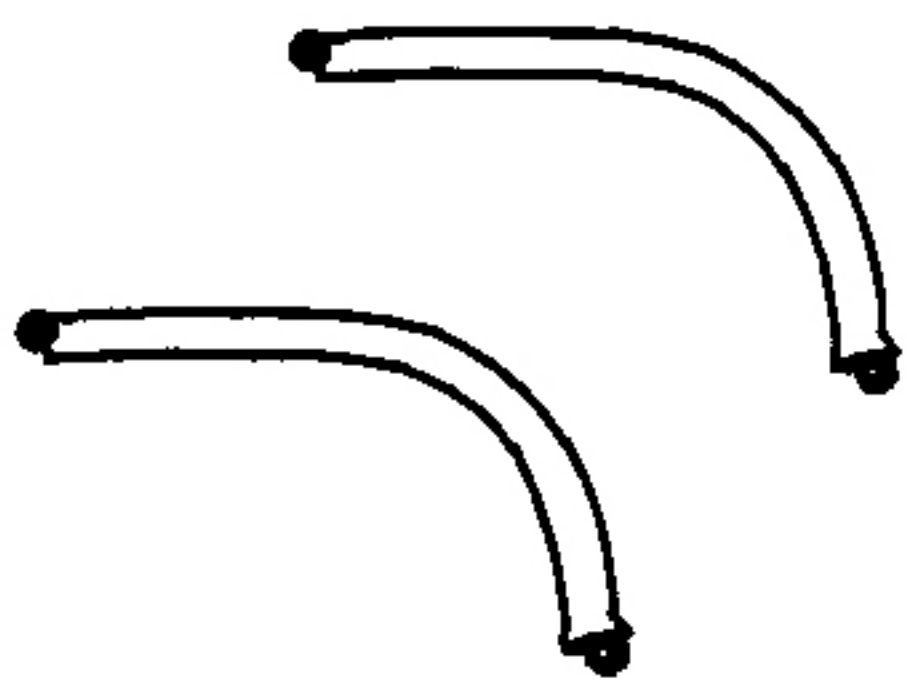
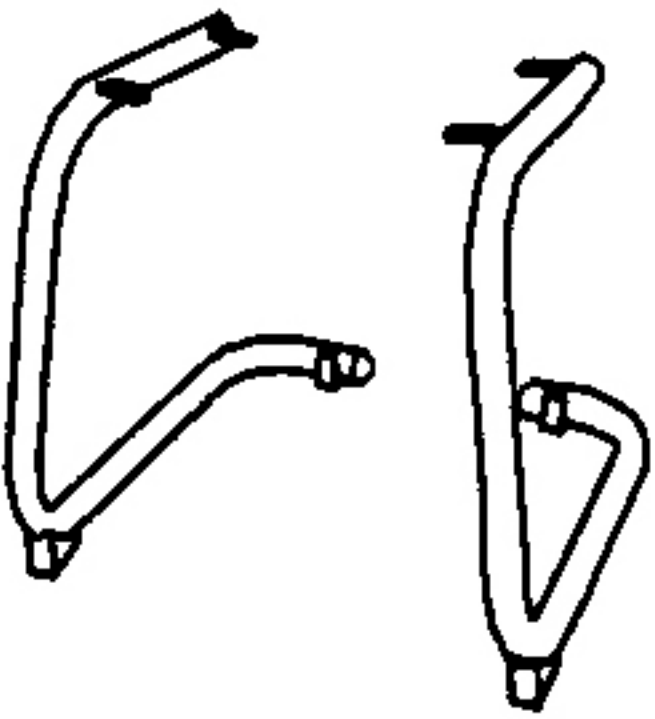

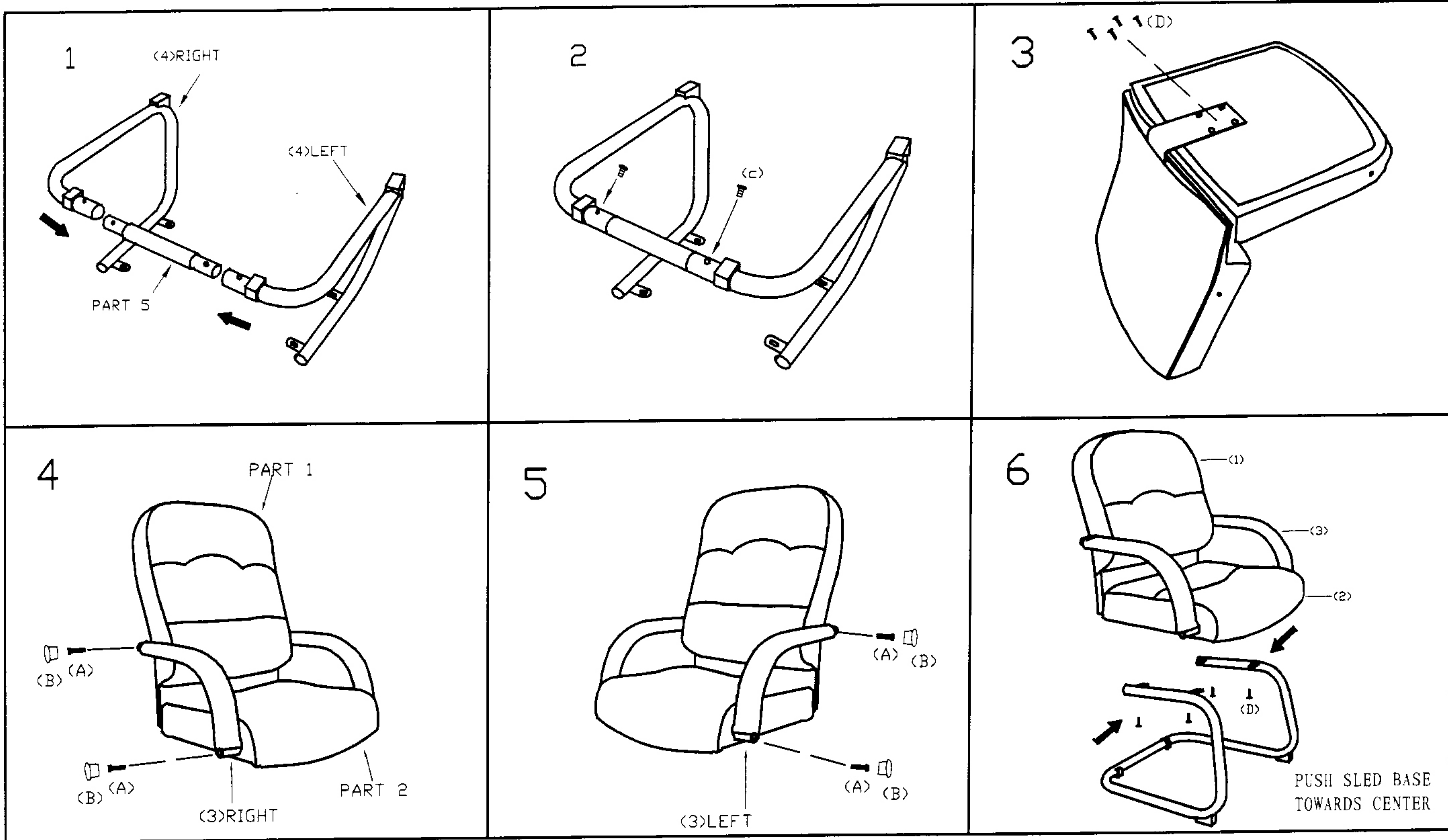


Model No: B7409

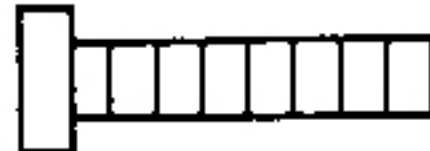


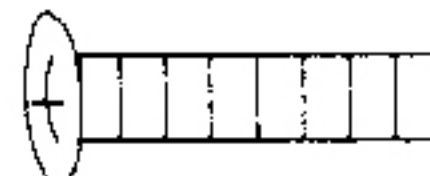
(1)*1	(2)*1	(3)*1(L)*1(R)
		
(4)*1	(5)*1	
		



Customer Service Hotline:

1-800-593-1888

! Please unscrew all screws from cushion before assembly.

- (A) \*4  M8\*50 ARM SCREW
- (B) \*4  ARM CAP
- (C) \*2  M6\*8
- (D) \*4  M6\*25

Note: Please make sure all screws are completely tightened. It is important to check and tighten all screws every two to three months, or as needed as they may loosen due to normal wear and tear.

For further assembly instructions, please visit our web site at [www.bosschair.com](http://www.bosschair.com)

