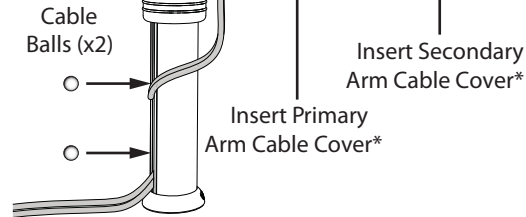


**Step 6. Cable Management** - Ensure Arm is fully extended.

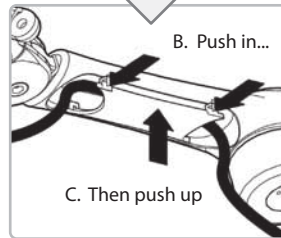
Route the Cables underneath the Arms, inserting the Primary and Secondary Arm Cable Covers to hold the Cables in place.

**TIP:** Leave enough slack in the cables at the joints to allow full movement.

Insert cables into slot, using Cable Balls to hold them in place.

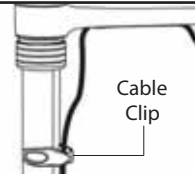


\*To insert Cable Covers:



C. Then push up

**TIP:** If the Visidec Focus Arm is to be used in a multi-user environment, use the supplied Cable Clip to secure the cables to the Pole.

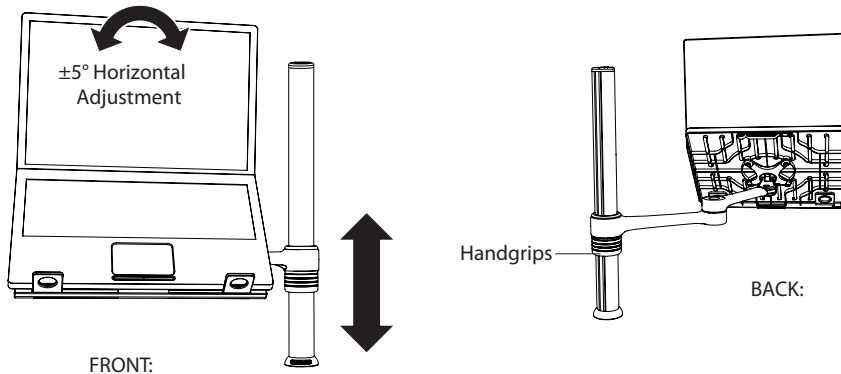


**Step 7. Notebook Tray Alignment**

Set the height and position of the Notebook Tray desired.

The height can be adjusted by unlocking the Handgrip (see Steps 3, D and E).

For the optimal position of your display, refer to the Ergonomic Guidelines in your 'User Operating Card'.



**Installation Complete**

Your Visidec Focus Notebook Mount installation is complete and ready for use.

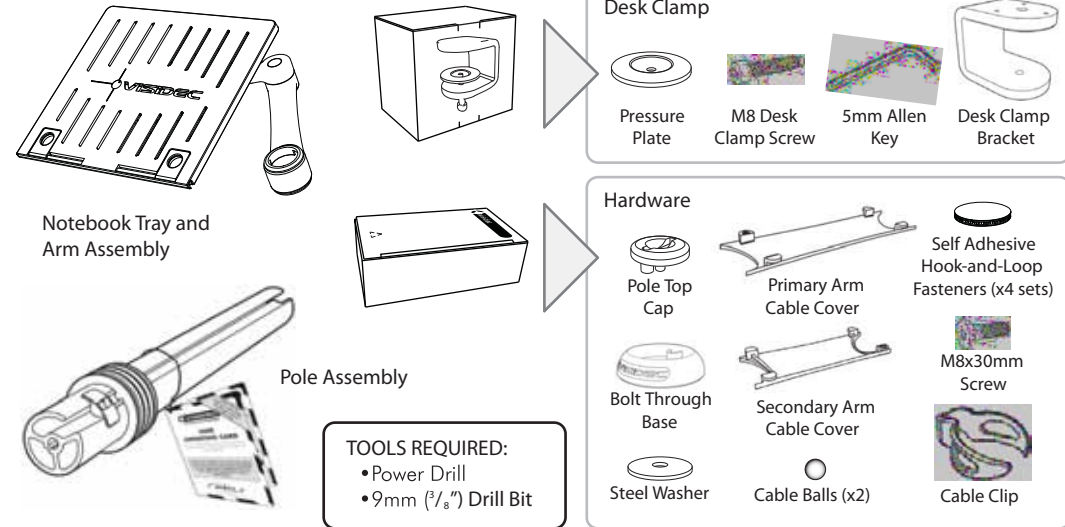
**IMPORTANT:**  
The "User Operating Card" must be left with Visidec Focus Articulated Arm once installed.

VF-AT-NP

**Installation Instructions**



**Component Checklist**



**TOOLS REQUIRED:**

- Power Drill
- 9mm (3/8") Drill Bit

**IMPORTANT INFORMATION**

- ! **IMPORTANT** - Install Visidec Focus Notebook Mount as per Installation Instructions.
- ! This product is designed to be used in conjunction with an external keyboard and mouse.
- ! Visidec Focus Notebook Mount supports Notebooks up to 18", weighing up to 8kg (17 1/2 lbs).
- ! The Manufacturer accepts no responsibility for incorrect installation.

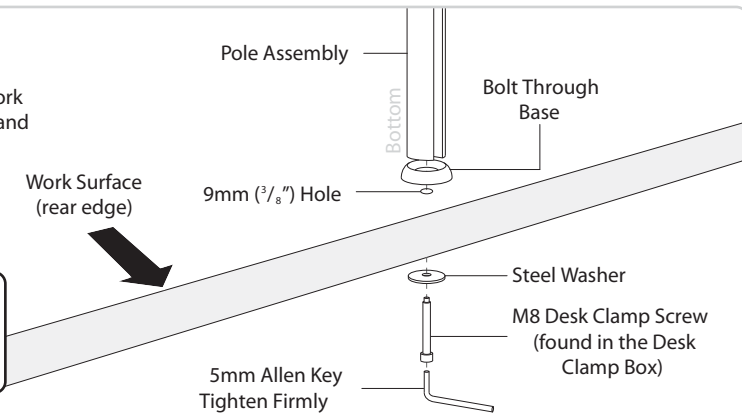
**Step 1. Check Components**

Check you have received all parts against the Component Checklist and Hardware above.

**Step 2. Desk Mounting (Bolt Through or Desk Clamp)**

**Option A - Bolt Through**

Drill a 9mm (3/8") hole in the Work Surface at the desired position and assemble as shown.

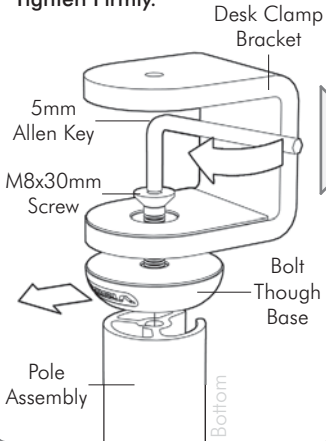


**NOTE:** It is recommended that the Pole Assembly be mounted towards the rear edge of the Work Surface.

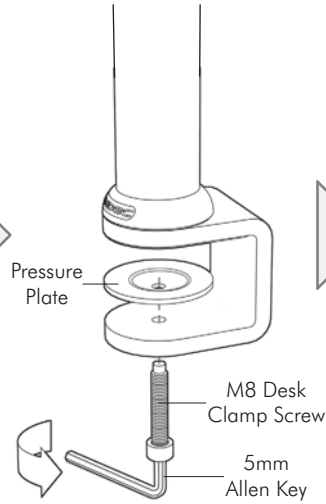
## Step 2. Desk Mounting (Bolt Through or Desk Clamp)

### Option B - Desk Clamp

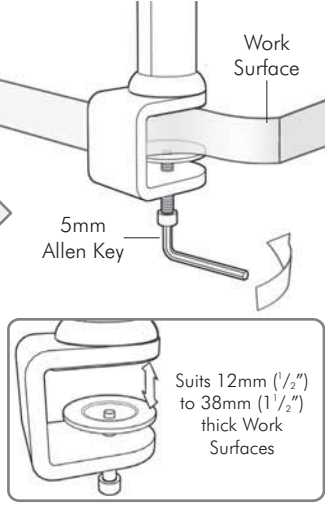
Attach the Desk Clamp Bracket to the bottom of the Pole Assembly using the M8x30mm Screw. **Tighten Firmly.**



Install the M8 Desk Clamp Screw and Pressure Plate as shown.

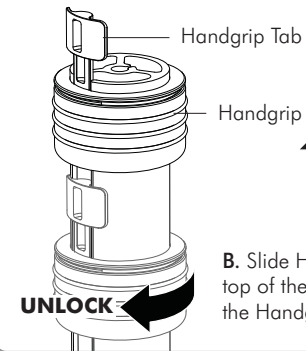


Adjust the height of the Pressure Plate to suit the Work Surface and **Tighten Firmly** in desired location.

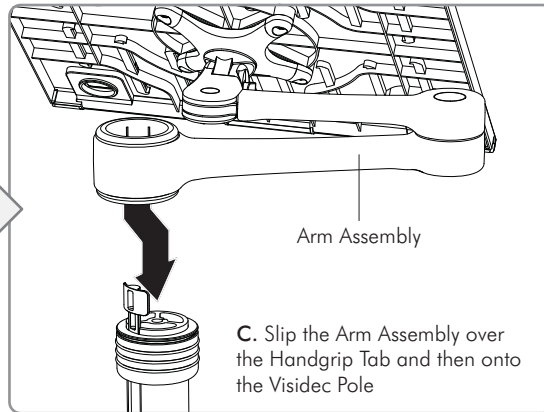


## Step 3. Attach the Arm Assembly onto the Pole Assembly

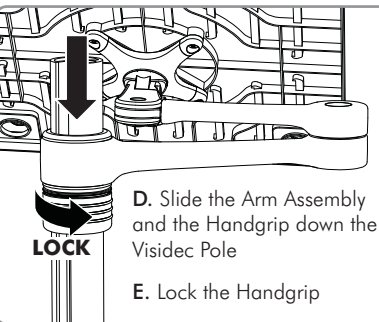
### A. Unlock the Handgrip



B. Slide Handgrip to the top of the Visidec Pole so the Handgrip Tab protrudes



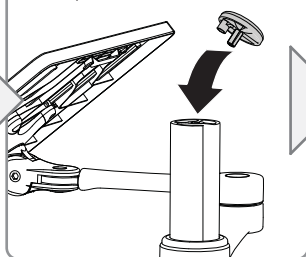
C. Slip the Arm Assembly over the Handgrip Tab and then onto the Visidec Pole



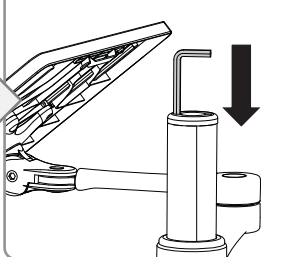
D. Slide the Arm Assembly and the Handgrip down the Visidec Pole

E. Lock the Handgrip

F. Insert the Pole Top Cap into the top of the Visidec Pole



G. Insert the 5mm Allen Key into the slot in the Pole Top Cap



## Step 4. Install the Notebook Computer

A. Adjust the Support Tabs to suit the width of your Notebook Computer.

**NOTE:** Ensure that the Support Tabs do not obstruct any cable ports.

B. To increase stability, use the Self Adhesive Hook-and-Loop Fasteners supplied:

- Peel off the backing paper from the Fasteners.
- Attach Fasteners to your Notebook Computer and the Notebook Tray.
- Ensure that each set of Fasteners are correctly aligned, i.e. Hook to Loop.

Fasteners (Hook x4)

Fasteners (Loop x4)

Notebook Tray

Notebook Computer

Notebook Tray

Support Tabs (x2)

C. Position your Notebook Computer onto the Notebook Tray.

## Step 5. Connect Cables

Connect cables to your Notebook Computer.

Cables

Notebook Computer

Lift the Cable Management Clip on the back of the Notebook Tray, and route the Cables underneath. Release the Clip to hold the Cables in place.

Cable Management Clip

Cables

LIFT