

VF-AT-NBC

Installation Instructions

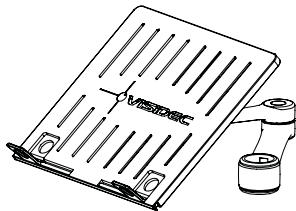
visidec

Focus | Notebook/Monitor Arm Combo

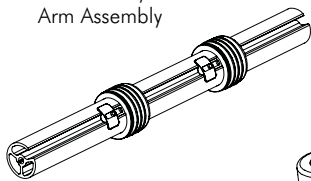
IMPORTANT:

The "User Operating Card" must be left with Visidec Focus Articulated Arm once installed.

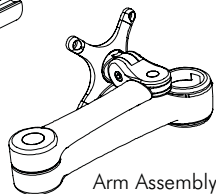
Component Checklist



Notebook Tray and Arm Assembly

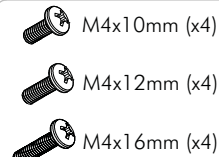
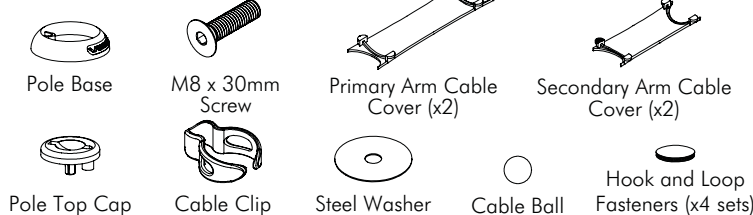


Pole Assembly



Arm Assembly

Bits Box

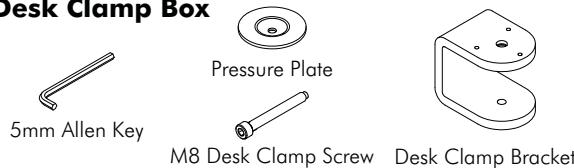


Display Mounting Screws

TOOLS REQUIRED:

- Power Drill
- 9mm (0.35") Drill Bit
- Phillips Head Screwdriver

Desk Clamp Box



IMPORTANT INFORMATION:

! IMPORTANT - Install Notebook/Monitor Arm Combo as per Installation Instructions.

! This product supports a maximum load of 8kg (17.5lbs) in each arm.

! This product supports VESA mounting hole configurations: 75x75mm and 100x100mm.

! The manufacturer accepts no responsibility for incorrect installation.

Step 1. Check Components

Check you have received all parts against the Component Checklist and Hardware above.

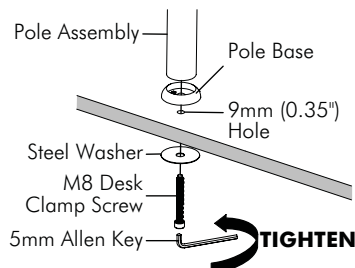
Step 2. Mount Visidec Pole to desk: Bolt Through or Desk Clamp

Bolt Through

OR

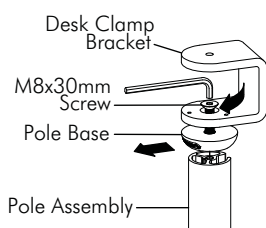
Desk Clamp

Drill 9mm (0.35") hole in the Work Surface at the desired position and assemble as shown below.

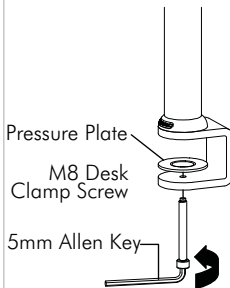


Note: It is recommended that the Pole Assembly be mounted towards the rear edge of the Work Surface.

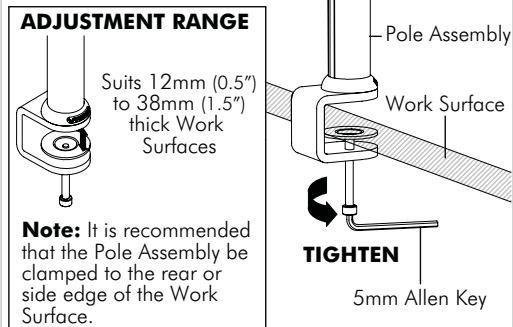
A. Attach the Desk Clamp Bracket to the bottom of the Pole Assembly using the M8x30mm Screw. Tighten firmly using the 5mm Allen Key. Ensure the Visidec logo is facing the front as shown.



B. Install the M8 Desk Clamp Screw and Pressure Plate as shown.

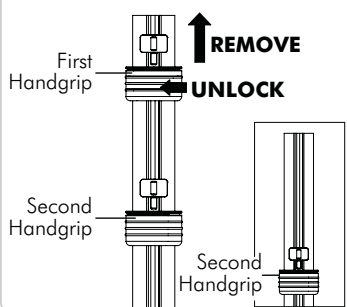


C. Adjust the height of the Pressure Plate to suit the Work Surface and Tighten Firmly in the desired location.

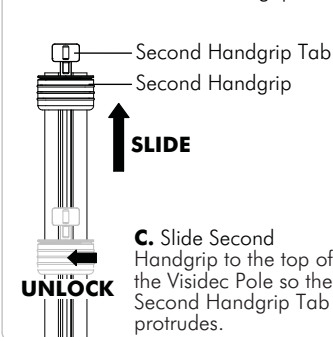


Step 3. Attach the Notebook Tray Arm to Pole Assembly

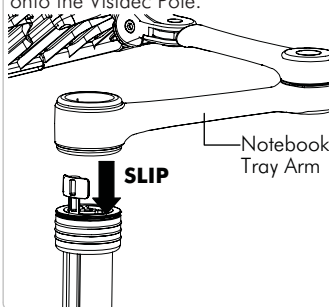
A. Unlock the First Handgrip. Remove from the Pole Assembly.



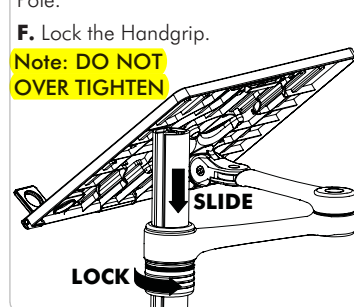
B. Unlock the Second Handgrip.



D. Slip the Notebook Tray Arm over the Handgrip Tab and then onto the Visidec Pole.



E. Slide the Notebook Tray Arm and the Handgrip down the Visidec Pole.

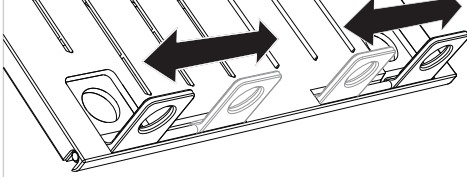


F. Lock the Handgrip.

Note: DO NOT OVER TIGHTEN

Step 4. Install the Notebook

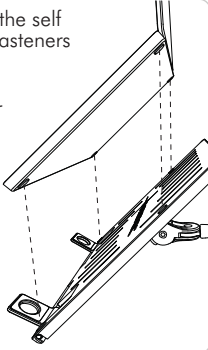
A. Adjust the Support Tabs to suit the width of your Notebook Computer.



NOTE: Ensure that the Support Tabs do not obstruct any cable ports.

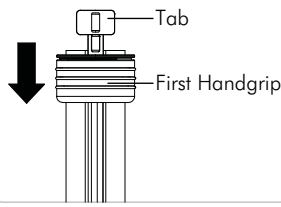
B. To increase stability, use the self adhesive Hook-and-Loop Fasteners supplied:

- Peel off the backing paper from the fasteners.
- Attach fasteners to your Notebook Computer and the Notebook Tray.
- Ensure that each set of fasteners are correctly aligned, i.e. Hook to Loop.

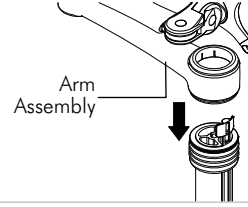


Step 5. Attach the Monitor Arm to Pole Assembly

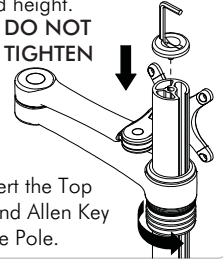
A. Insert First Handgrip back onto the Pole so that the Tab protrudes.



B. Slip the Arm Assembly over the Handgrip Tab and then onto the Pole.

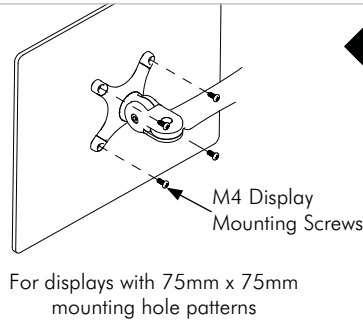


C. Lock the Handgrip at desired height. **Note: DO NOT OVER TIGHTEN**

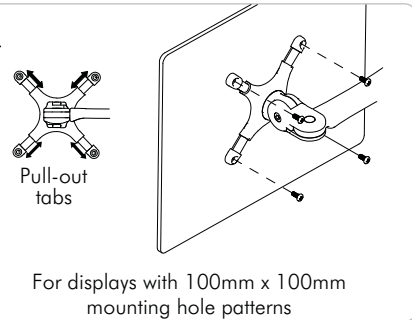


D. Insert the Top Cap and Allen Key into the Pole.

Step 6. Fasten Display to Monitor Arm



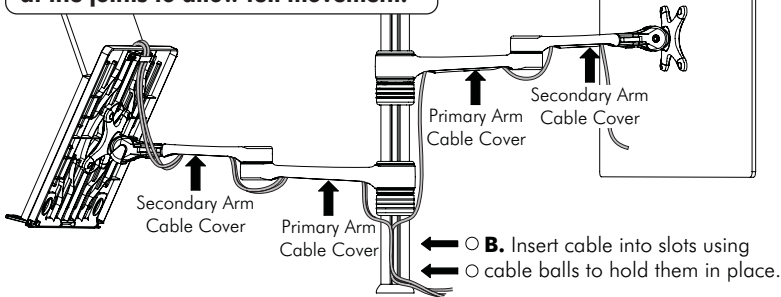
OR



Step 8. Cable Management - Ensure arms are fully extended before attaching cables.

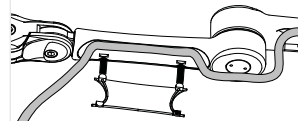
A. Route the Cables underneath the Arms, inserting the Primary and Secondary Arm Cable Covers to hold the Cables in place.

TIP: Leave enough slack in the cables at the joints to allow full movement.

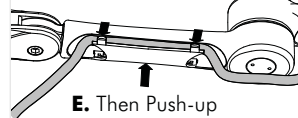


To Insert Cable Covers

C. Insert tabs

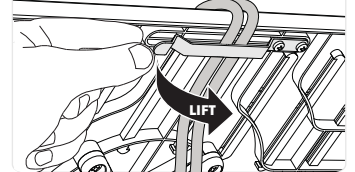


D. Push-in



E. Then Push-up

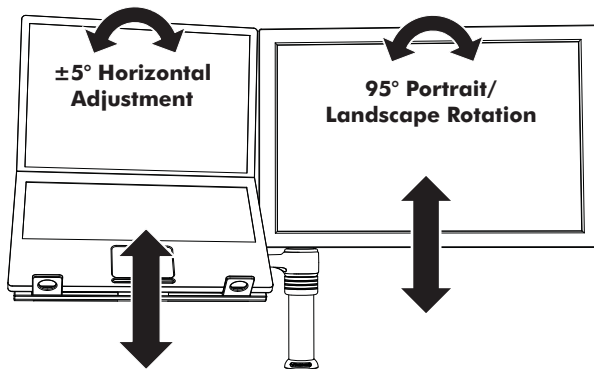
F. Route the Notebook Cables through the Cable Management Clip on the back of the Notebook Tray.



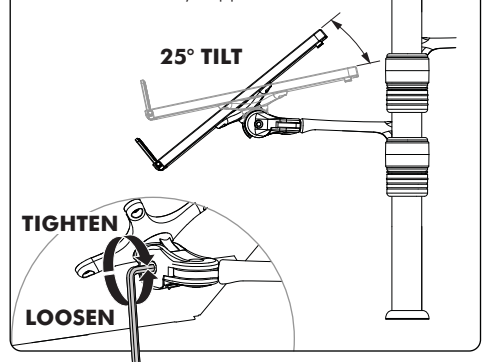
NOTE: If this product is in a Multi-user environment, use the supplied Cable Clip to secure the cables to the pole.

Step 9. Display Alignment

Set the height and position of the Notebook Tray and Monitor as desired. The height can be adjusted by unlocking the Handgrips (see Steps 3, E and F). For the optimal position of your display, refer to the Ergonomic Guidelines in your 'User Operating Card'.



Adjust the tilt angle of the Notebook Tray as desired, locking it in position using the 5mm Allen Key supplied.



Installation Complete

