









visidec®

Visidec Freestanding | 2 x 2 Quad VFS-Q


-  Suits 75x75 & 100x100mm (opt. 200x100mm support)*
-  Freestanding desk mount
-  Suits displays up to 12kgs (26.5lbs)
-  Holds four displays
-  Tool-less tilt & pan adjustment
-  Quick Release mounting head
-  Allows positional adjustment
-  Adjustable screen orientation

The Visidec Freestanding Quad is a compact and durable desk stand that holds up to four monitors in a 2 up 2 down configuration with height and position adjustability. The minimal footprint and integrated cable management help ensure a flexible and clutter-free work environment. Detachable display mounting heads support a wide variety of VESA compatible monitors with Quick Release for easy installation / maintenance and Quick Shift for easy adjustment. The heads feature a ball joint that allows tilt/ pan adjustment and landscape to portrait screen rotation. Integrated tension control ensures touch-screen support and the product ships with security screws to deter unauthorized screen removal.



Product key features:

- ✕ Holds four displays, each up to 635mm (25") wide, 450mm high (17") and 12kgs (26.5lbs) in weight.
- ✕ Made from strong die cast aluminium with a steel base.
- ✕ Ball joint mechanism allows +/-20° of tilt and pan adjustment as well as 360° screen rotation.
- ✕ Integrated tension control for touch-screen compatibility.
- ✕ Provides up to 737mm (29") of height adjustment.
- ✕ Quick Release mounting heads enable easy display installation and maintenance with security screws to deter unauthorized removal.
- ✕ Provides up to 635mm (25") of horizontal adjustment with easy Quick Shift operation.
- ✕ Small 422mm (16.25") wide by 305mm (12") deep footprint.
- ✕ Provides a choice of internal and external cable management.
- ✕ Comes with display mounting hardware.

- Quick Release mechanism for easy display attachment/removal with a security feature.**
- Quick Shift donut for easy horizontal adjustment**
- Ball joint with tension control allows tilt, pan and rotation adjustment**
- Height adjustable**
- Strong die cast aluminium construction with steel base**
- Small foot print**
- Internal & external cable management**

* Also supports 200x100mm via optional adaptor plate



Product information, single unit

Product Code	Load capacity	Material	Color
VFS-Q	12kg (26.5lbs) per display	Extruded anodized aluminium construction with a steel base and plastic trim.	Silver

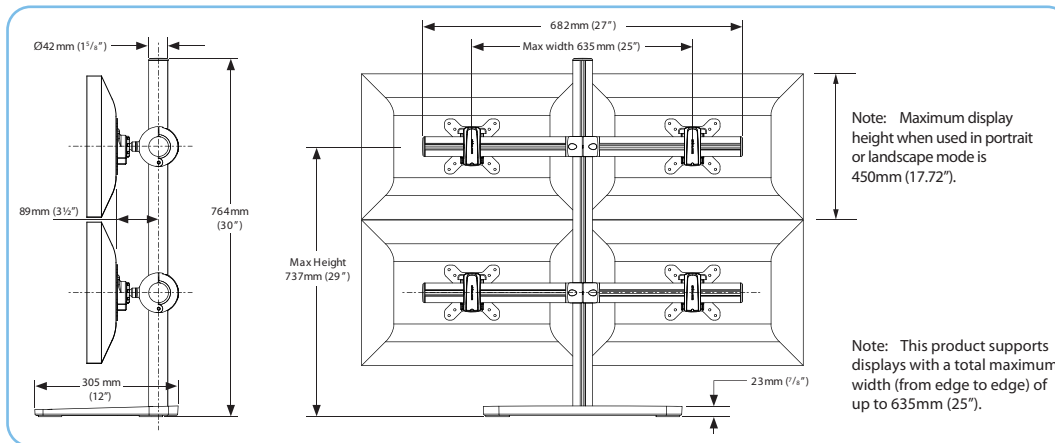
Package information, single unit

Size	Ship weight	UPC code	Contents
80cm x 38cm x 10cm (31.75" x 15" x 4")	8.2kg (19.4lbs)	881493005136	Stand, mounting heads (x4), security screws (x4) & display mounting hardware

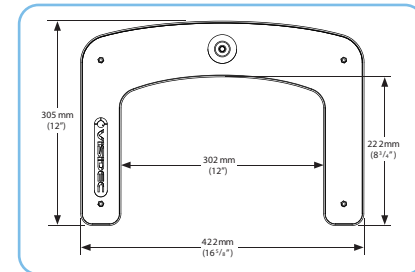
Package information, master pack

Size	Ship weight	UPC	Units per master pack
84cm x 41cm x 23cm (32.5" x 16" x 9")	18kg (40.6lbs)	881493005181	2

Technical drawings



Base Dimensions



Optional Accessories

AC-AP-2010	200x100 Adaptor Plate
------------	-----------------------

Other models in this range

VFS-DH	Freestanding Dual Vertical
VFS-DH	Freestanding Dual Horizontal

Included VESA attachment

