









visidec®

Visidec Freestanding | 2 x 2 Quad VFS-Q


-  Suits 75x75 & 100x100mm (opt. 200x100mm support)*
-  Freestanding desk mount
-  Suits displays up to 12kgs (26.5lbs)
-  Holds four displays
-  Tool-less tilt & pan adjustment
-  Quick Release mounting head
-  Allows positional adjustment
-  Adjustable screen orientation

The Visidec Freestanding Quad is a compact and durable desk stand that holds up to four monitors in a 2 up 2 down configuration with height and position adjustability. The minimal footprint and integrated cable management help ensure a flexible and clutter-free work environment. Detachable display mounting heads support a wide variety of VESA compatible monitors with Quick Release for easy installation / maintenance and Quick Shift for easy adjustment. The heads feature a ball joint that allows tilt/ pan adjustment and landscape to portrait screen rotation. Integrated tension control ensures touch-screen support and the product ships with security screws to deter unauthorized screen removal.



Product key features:

- ✕ Holds four displays, each up to 635mm (35") wide, 450mm high (17") and 12kgs (26.5lbs) in weight.
- ✕ Made from strong die cast aluminium with a steel base.
- ✕ Ball joint mechanism allows +/-20° of tilt and pan adjustment as well as 360° screen rotation.
- ✕ Integrated tension control for touch-screen compatibility.
- ✕ Provides up to 737mm (29") of height adjustment.
- ✕ Quick Release mounting heads enable easy display installation and maintenance with security screws to deter unauthorized removal.
- ✕ Provides up to 635mm (25") of horizontal adjustment with easy Quick Shift operation.
- ✕ Small 422mm (16.25") wide by 305mm (12") deep footprint.
- ✕ Provides a choice of internal and external cable management.
- ✕ Comes with display mounting hardware.

Quick Release mechanism for easy display attachment/removal with a security feature.

Quick Shift donut for easy horizontal adjustment

Ball joint with tension control allows tilt, pan and rotation adjustment

Height adjustable

Strong die cast aluminium construction with steel base

Small foot print

Internal & external cable management

* Also supports 200x100mm via optional adaptor plate



Product information, single unit

Product Code	Load capacity	Material	Color
VFS-Q	12kg (26.5lbs) per display	Extruded anodized aluminium construction with a steel base and plastic trim.	Silver

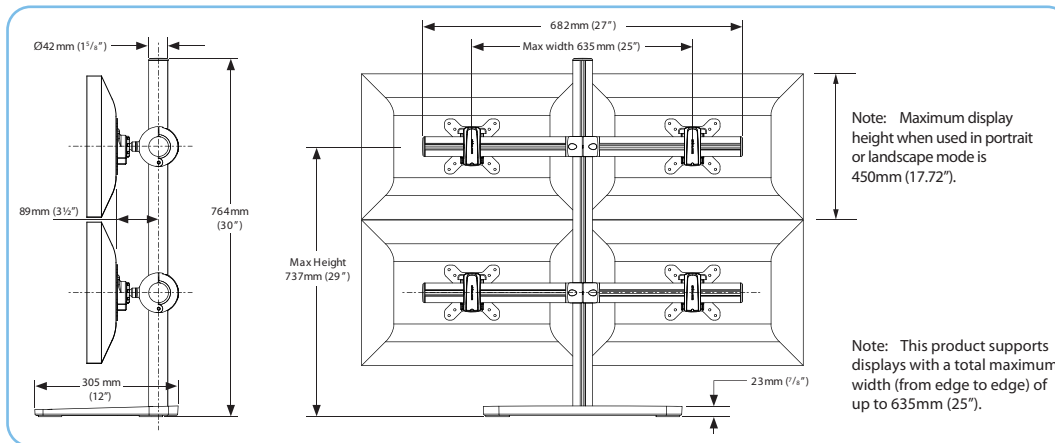
Package information, single unit

Size	Ship weight	UPC code	Contents
80cm x 38cm x 10cm (31.75" x 15" x 4")	8.2kg (19.4lbs)	881493005136	Stand, mounting heads (x4), security screws (x4) & display mounting hardware

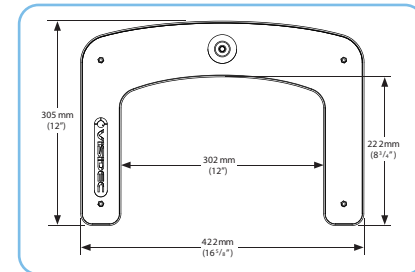
Package information, master pack

Size	Ship weight	UPC	Units per master pack
84cm x 41cm x 23cm (32.5" x 16" x 9")	18kg (40.6lbs)	881493005181	2

Technical drawings



Base Dimensions



Optional Accessories

AC-AP-2010	200x100 Adaptor Plate
------------	-----------------------

Other models in this range

VFS-DH	Freestanding Dual Vertical
VFS-DH	Freestanding Dual Horizontal

Included VESA attachment

