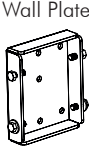
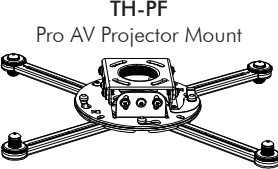


**Component Checklist**



Wall Plate




TH-PF  
Pro AV Projector Mount


**Tools Required:**

- Power Drill
- 6mm(0.23") Drill Bit
- 12mm(0.47") Masonry Drill Bit
- 13mm (0.5") Socket Wrench Shifter
- Phillips Head Screwdriver

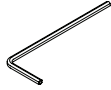
**HARDWARE**




Coach Screw (x4)




Washer (x4)



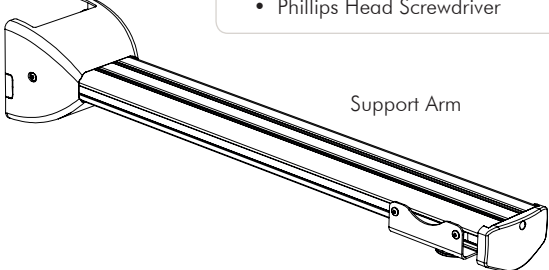
3mm Security Allen Key



Nylon Anchor (x4)



Security Screw (x2)



Support Arm

**IMPORTANT INFORMATION:**

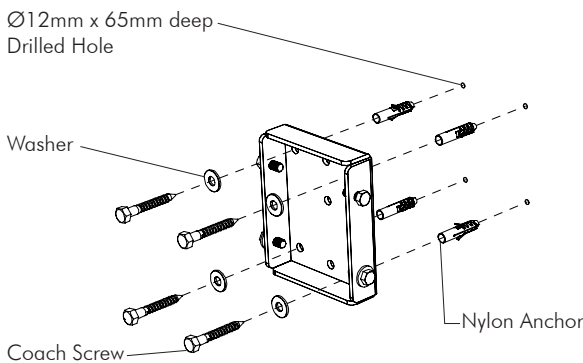
- ! **IMPORTANT - Install Telehook Short Throw Projector Mount as per installation instruction.**
- ! This product supports a maximum load of 25kg (55lbs.).
- ! The manufacturer accepts no responsibility for incorrect installation.

**Step 1. Check Components**

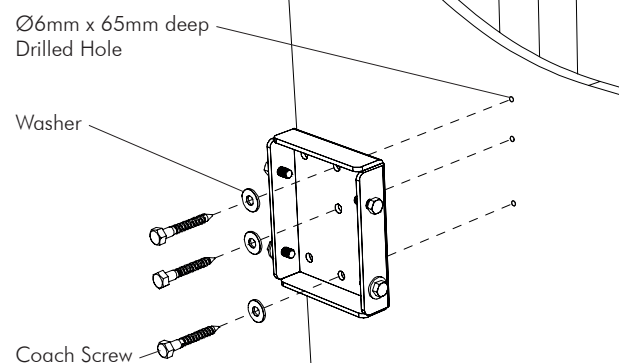
Check you have received against the component checklist and hardware above.

**Step 2. Mounting Wall Plate**

**Masonry**



**Timber Stud**

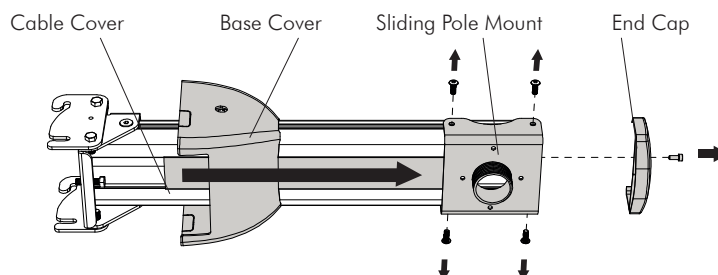


**TIP:** Use Mount as a drilling template.

**IMPORTANT!** Any structural elements must be capable of supporting the combined weight of all the equipment and devices being mounted. If in doubt, consult a structural engineer.

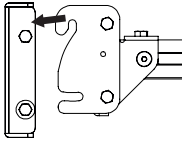
**Step 3. Remove End Cap, Sliding Pole Mount, Base Cover and Cable Cover from Support Arm**

- 3.1. Remove screw from End Cap and slide End Cap off
- 3.2. Loosen screws on Sliding Pole Mount and slide the entire assembly off
- 3.3. Slide off Base Cover
- 3.4. Slide the Cable Cover out



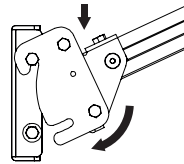
## Step 4. Attach Support Arm to Wall Mount

4.1.



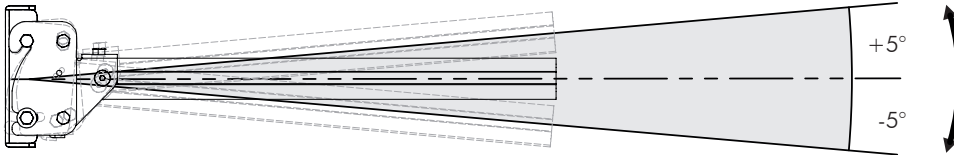
Slide the hook on the Support Arm over the top bolts on the Wall Plate.

4.2.



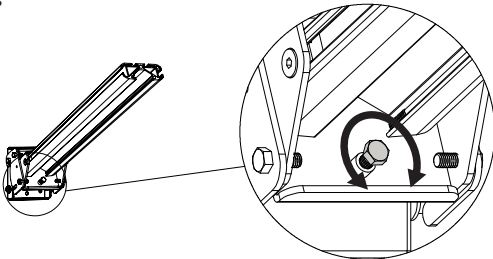
Swing the Support Arm down so the bottom slots slide over the bottom bolts.

4.3.



The Support Arm can be adjusted by  $\pm 5^\circ$  to account for wall slope or individual projector characteristics.

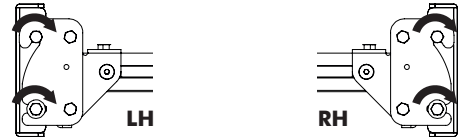
4.4.



Adjust the stop bolt as shown to maintain the desired angle.

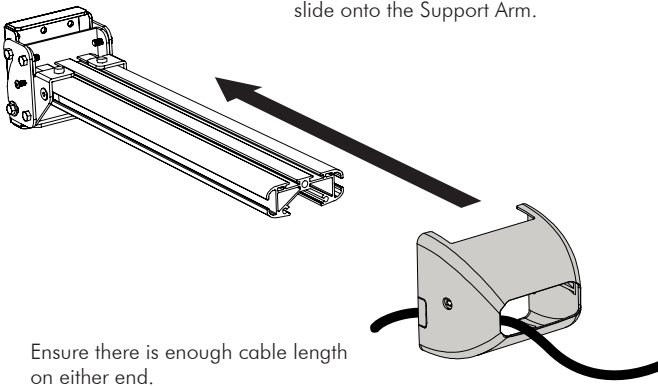
4.5.

Secure the position of the Support Arm by tightening the two bolts on each side of the Wall Plate.



## Step 5. Re-Attach Covers and Cable Cover

5.1.

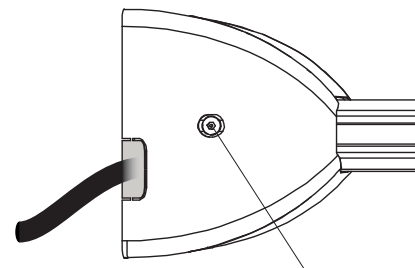


Insert cable through Cable Cover and slide onto the Support Arm.

Ensure there is enough cable length on either end.

5.2.

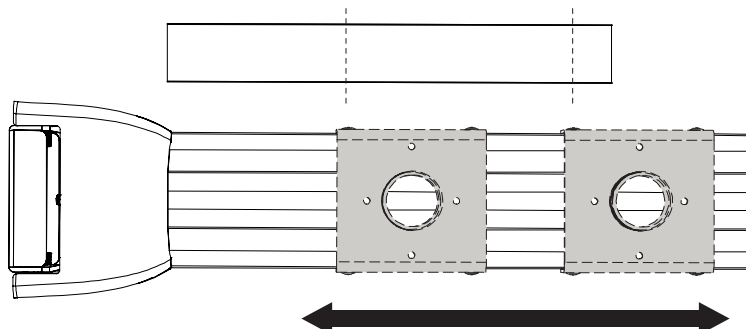
Break the Base Cover tab on the side to allow the cable to exit through slot.



Secure the Base Cover with the corresponding Security Screws.

5.3.

The Cable Cover may need to be cut to length depending on where the projector is positioned along the Support Arm. After the appropriate length has been attained, slide cover back on. Please refer to your projector documentation for guidance on Focal Length/Throw.

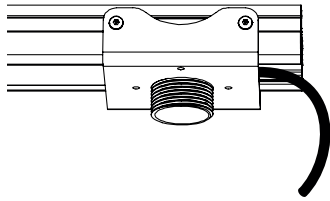


## Step 5. Re-Attach Covers and Cable Cover (Cont..)

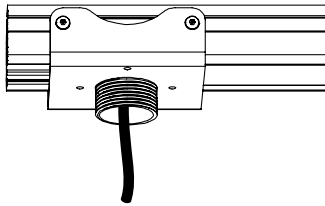
5.4.

Re-mount the Sliding Pole Mount with the cable fitted either in Option A or B. This will depend on the projector, projector mount and position of the cable socket.

Option A

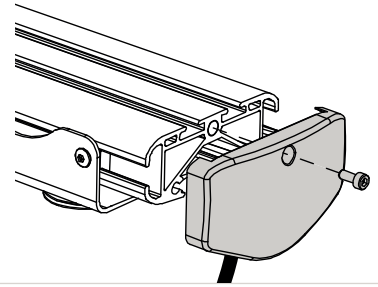


Option B

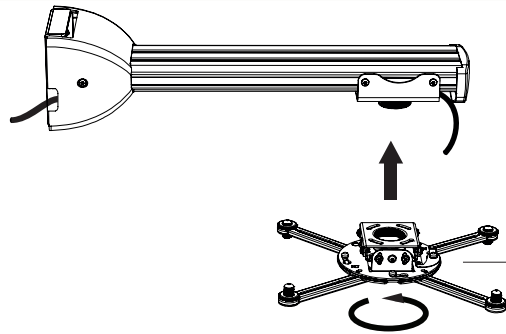


5.5.

Reinsert the End Cap and secure with the corresponding screw.



## Step 6. Attach Projector Mount



TH-PF  
Projector Mount

To complete installation please jump to Step 5 of TH-PF installation manual.



No portion of this document or any artwork contained herein should be reproduced in any way without the express written consent of Atdec Pty Ltd. Due to continuing product development, the manufacturer reserves the right to alter specifications without notice. Published 10.04.13 ©