



ProAV projector ceiling mount with 3" (76mm) pole | TH-PFK

The ProAV Telehook TH-PFK is a highly versatile projector mount kit that includes a flush ceiling projector mount, a 3" NPT pole, and a ceiling plate. It is a complete solution that is suitable for a large range of mounting situations out of the box and is also upgradeable. The flush mount incorporates a high level of tilt, pitch, roll and yaw adjustment to ensure the perfect viewing angle in any mounting situation. High security features are integrated throughout the design to ensure projector security in public environments. Thanks to its extendable mounting brackets it is capable of supporting a wide range of modern projectors, even those weighing up to 25kgs (55lbs). Installers will appreciate the time saving installation features that allow the mount to be set up quickly and securely. The Telehook TH-PFK is a part of the ProAV range that consists of the perfect mounting solutions for all projection environments; from small boardrooms to home theatre systems all the way up to large auditoriums.



Mounting hole pattern:
Universal extendable mounting brackets



Maximum weight carrying capacity:
25kg (55lbs)

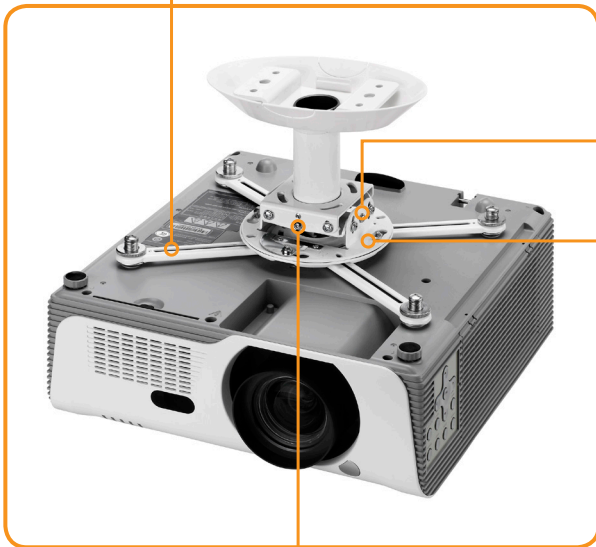


Product key features:

- Designed for quick and easy assembly
- Pre-installed security screws at all connection and adjustment points
- All mounting hardware included
- Can be upgraded with extension poles (TH-PPA-1825, TH-PPA-2448, TH-PPE-24) if more drop length is required



Compatible with a wide range of modern projectors due to its extendable mounting brackets



20° of downward and 20° of upward tilt

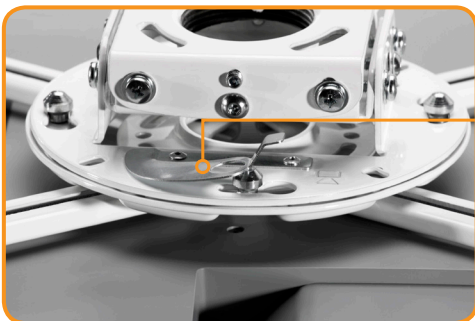
30° yaw (rotation) adjustment

Uses industry standard 1.5" NPT (national pipe thread)

5° of left and 5° of right roll adjustment



Includes a flush ceiling projector mount, a 3" NPT pole, and a ceiling plate



Safety catch to prevent accidental removal during installation



Atdec Global www.atdec.com.au
Atdec North America www.atdec.com

Product information

Product Code	Load capacity	Material	Colour
TH-PFK	25kg (55lbs)	Steel	White

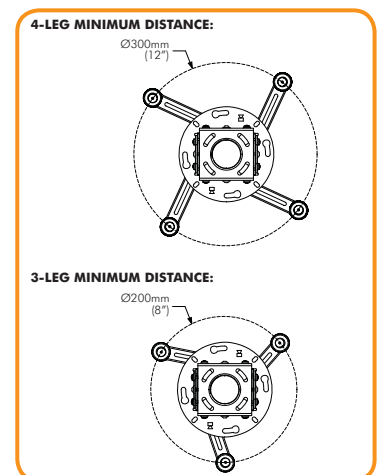
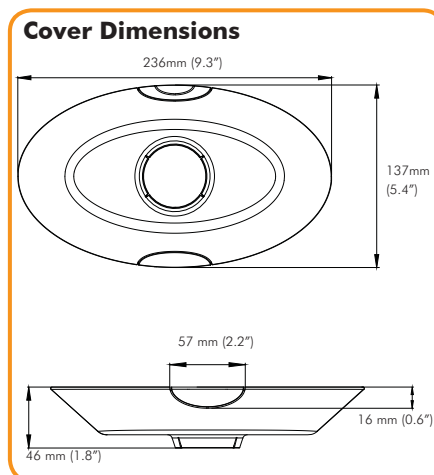
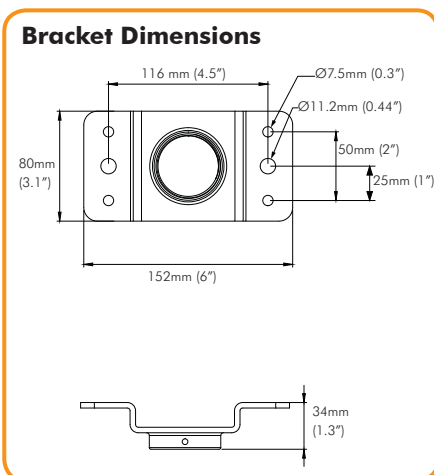
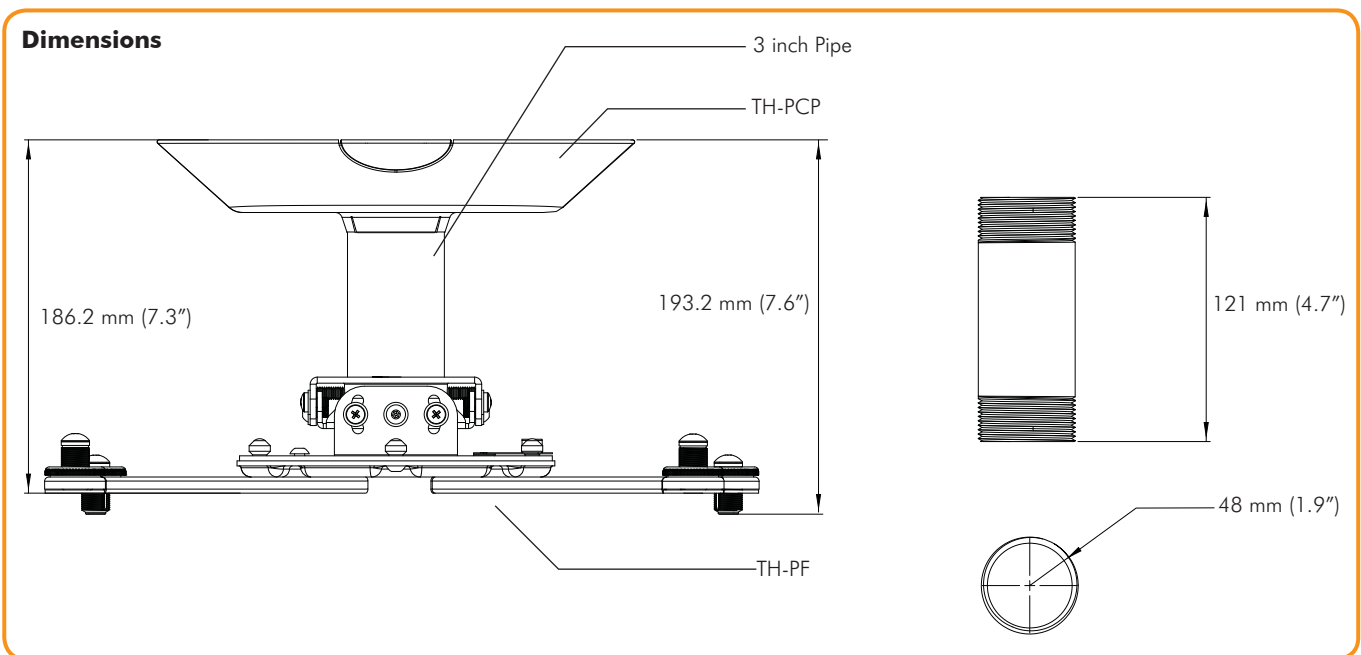
Package information, single unit

Size	Ship weight	UPC code	Contents
26.5cm x 21cm x 13cm (10.4" x 8.3" x 5.1")	6.5kg (7.7lbs)	881493008168	All hardware required for installation supplied

Package information, master pack

Size	Ship weight	UPC code	Units per master pack
45.5cm x 30cm x 30.5cm (17.9" x 11.8" x 12")	14.5kg (31.9lbs)	881493008175	4

Technical drawings



Atdec mounts are designed, developed and tested in Australia. While all efforts have been made to ensure the information in this brochure was correct as of the date of printing, we reserve the right to change specifications without notice. Please refer to the website for our full range along with the latest details on specifications, compatibility and dealer location. Atdec and Telehook are registered trademarks with all rights reserved. Copyright July 2013.



Atdec Global www.atdec.com.au
Atdec North America www.atdec.com