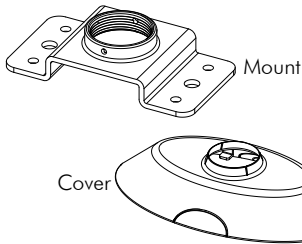
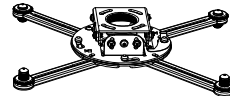
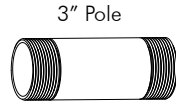


Component Checklist



- Tools Required:**
- Power Drill
 - 4.5mm (0.18") Drill Bit
 - 10mm (3/8") Socket Wrench Shifter
 - Phillips Head Screw Driver



TH-PF
Pro AV Projector Mount

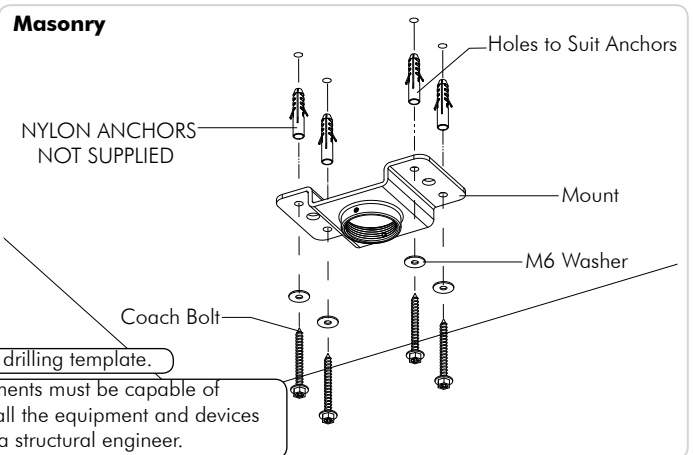
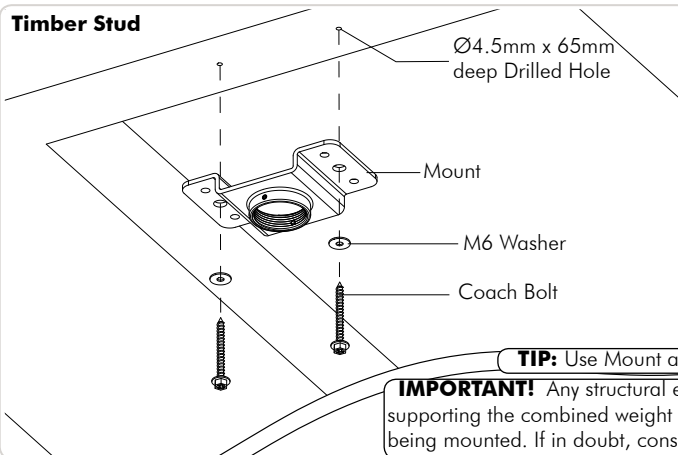
IMPORTANT INFORMATION:

- ! **IMPORTANT - Install Telehook Ceiling Mount as per installation instruction.**
- ! This product supports a maximum load of 25kg (55lbs.).
- ! The manufacturer accepts no responsibility for incorrect installation.

Step 1. Check Components

Check you have received all parts against the component checklist and hardware above.

Step 2. Ceiling Mount

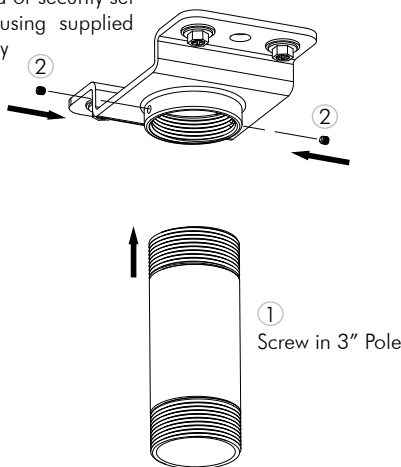


TIP: Use Mount as a drilling template.

IMPORTANT! Any structural elements must be capable of supporting the combined weight of all the equipment and devices being mounted. If in doubt, consult a structural engineer.

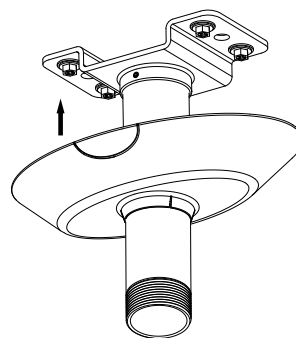
Step 3.

Secure pole by inserting standard or security set screws using supplied Allen key



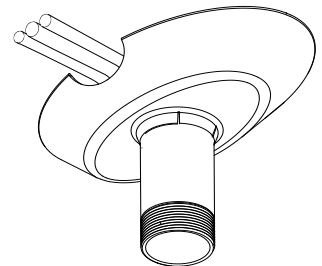
Step 4.

Clip on Cover



Step 5.

Side panels can be snapped off to provide cable route



To complete installation please jump to Step 5 of the TH-PF installation manual