



Flat screen wall mount | fixed **TH-1026-VF**
 Fits most displays from 15" to 26"



Mounting hole pattern:
 75mm x 75mm
 100mm x 100mm



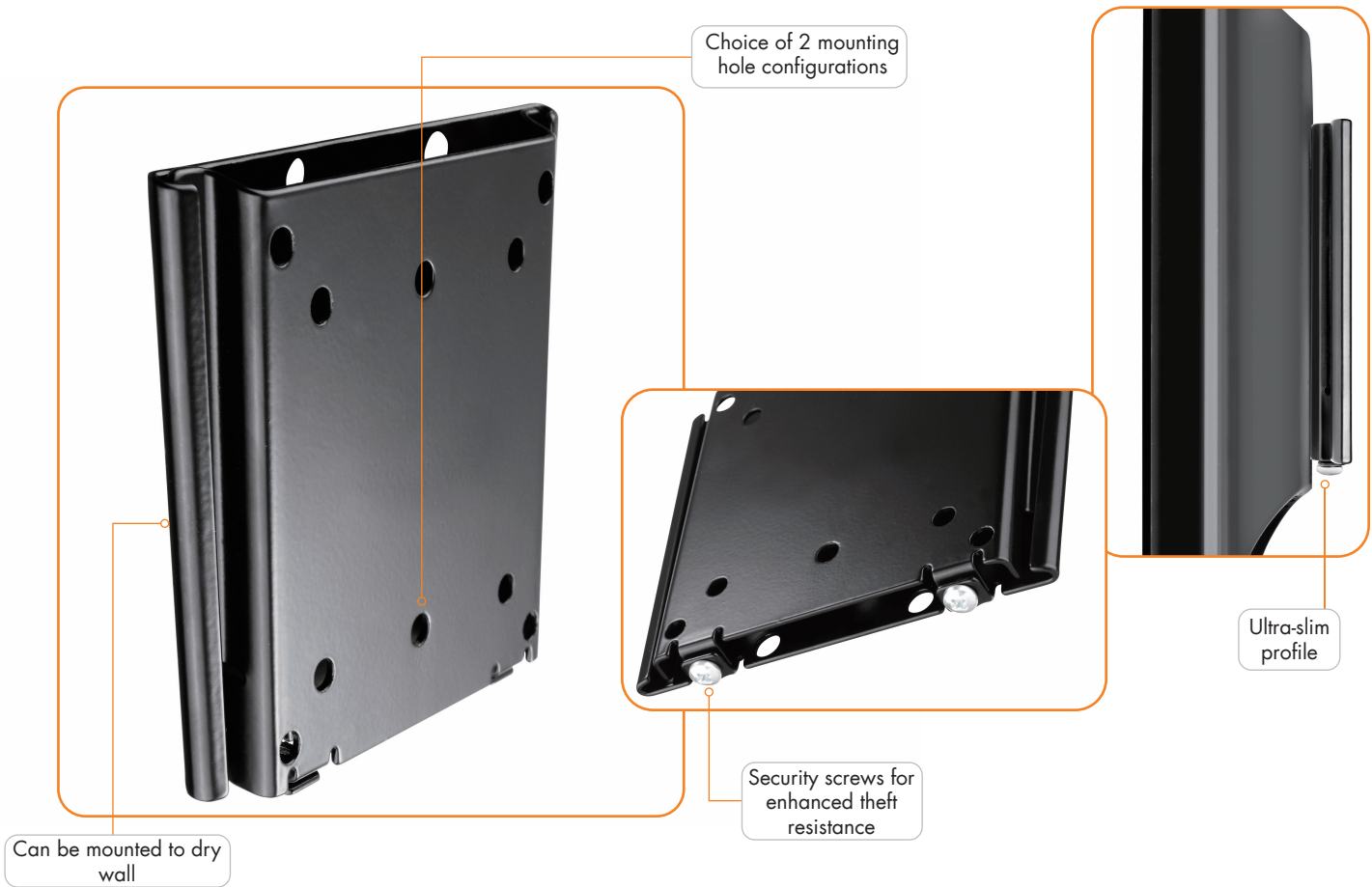
Maximum weight carrying capacity:
 30kg (66lbs)

The Telehook 1026-VF provides an elegant finish that streamlines your TV screen seamlessly with the decor of the room. It securely supports flat screens weighing up to 30kg (66lbs) just 14.5mm (0.6") from the wall, offering a slim line mounting solution that's almost flush to its surroundings. This space-saving design is ideal for displays where screen movement is not required but having your screen close to the wall is critical. Installation is quick and easy and compatible with a wide variety of TVs with 75mm x 75mm or 100mm x 100mm VESA mounting hole patterns. The screen can be easily removed and changed but is still protected against theft with two security screws.



Product key features:

- Two-piece design for simple and easy installation
- Ultra-slim profile, only 14.5mm (0.6") from wall
- Can be mounted to dry wall without fixing to a wall stud
- Comes with all mounting hardware for masonry, timber stud and dry wall installation



Atdec North America www.atdec.com
 Atdec Global www.atdec.com.au

Product information, single unit

| Load capacity | Material | Color |
|---------------|----------|-------|
| 30kg (66lbs) | Steel | Black |

Package information, single unit

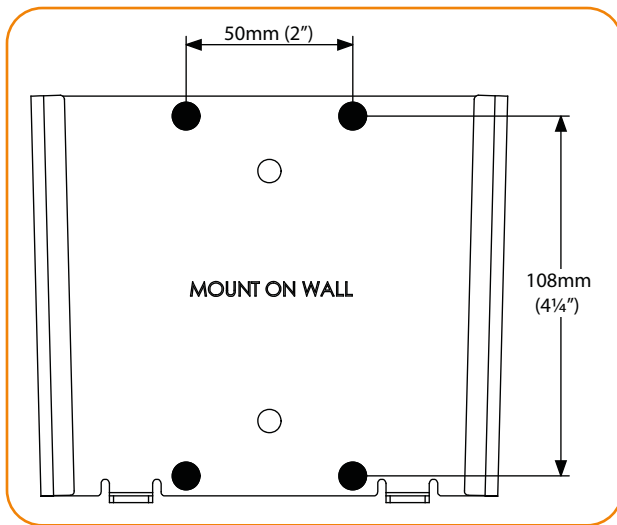
| Size | Ship weight | UPC code | Contents |
|---|-----------------|--------------|---|
| 15.5cm x 13.8cm x 2.3cm (5.9" x 5.3" x 0.9") | 0.66kg (1.3lbs) | 881493004757 | All hardware required for installation supplied |

Package information, master pack

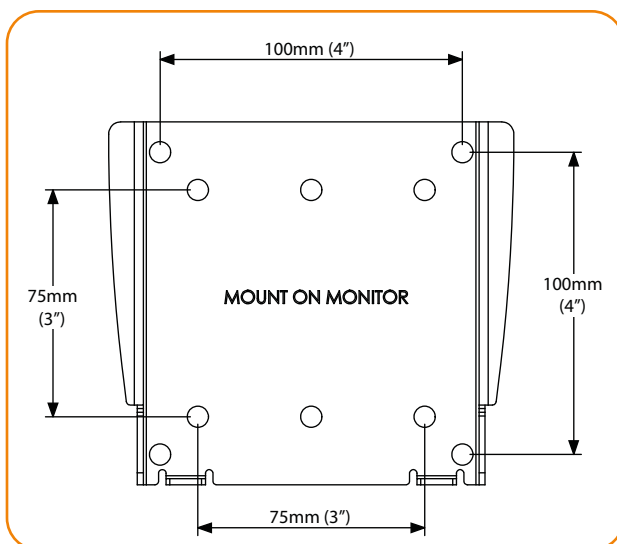
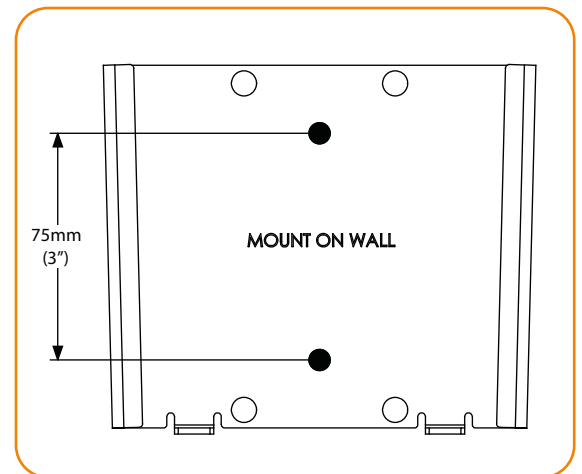
| Size | Ship weight | UPC | Units per master pack |
|---|-------------------|--------------|-----------------------|
| 31.8cm x 18cm x 24.2cm (11.4" x 9.4" x 6.5") | 13.48kg (27.7lbs) | 881493004825 | 20 |

Technical drawings

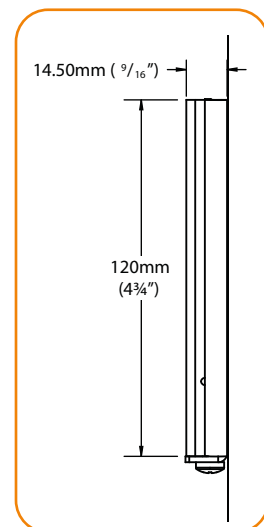
Mounting hole pattern for:
Dry Wall



Mounting hole pattern for:
Masonry Wall and Timber Stud



Display Plate



Distance from Wall (Side View)

