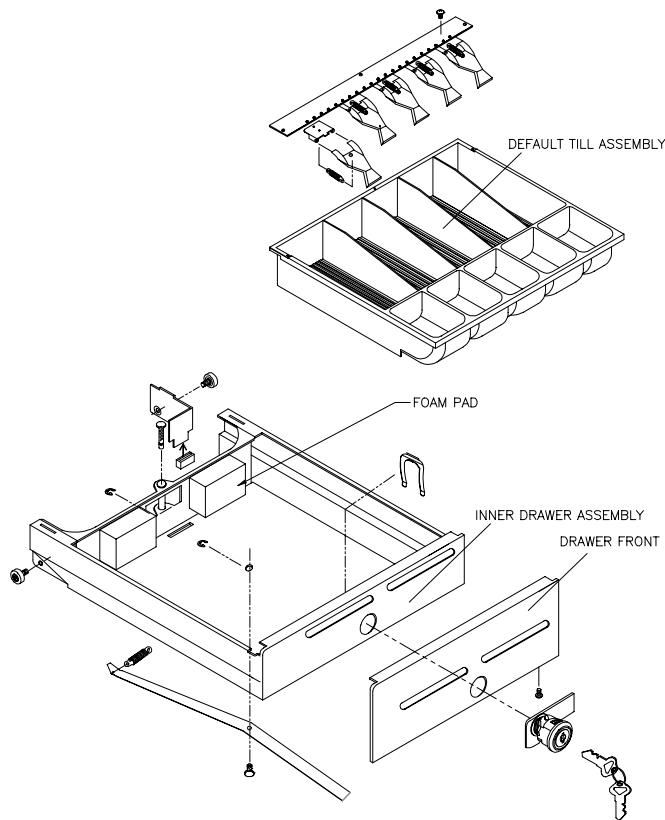


# VASARIO 1616 OR 1618 TILL RETROFIT INSTRUCTIONS

Purpose: This instruction sheet is to be used when replacing a V-15B-2 with the newer versions, V-15B-2A till.

1. To install the new, replacement till, open the drawer and remove the existing till.
2. Remove the inner drawer. Grasp the drawer by the sides of the front and lift the drawer up until it stops. Tip the drawer front down while at the same time pulling out at an inclined angle.
3. See Figure 1 below. Notice the 2 black, foam rubber pads on the back, inside of the inner drawer. These are used to make sure that the till fits snugly into the inner drawer. These are not needed for the newer version tills. Peel and scrape off as much of these rubber pads as possible. Some residue may remain on the inner drawer surface and will not cause any problems.
4. Insert the inner drawer into the case. Tip the drawer front down at an inclined angle while inserting it into the case about 2 inches. Lift the drawer up until it stops, and pull the drawer out until it stops and drops into operating (horizontal) position.
5. Insert the new till into the drawer and verify that the drawer opens and closes properly.



**FIGURE 1**