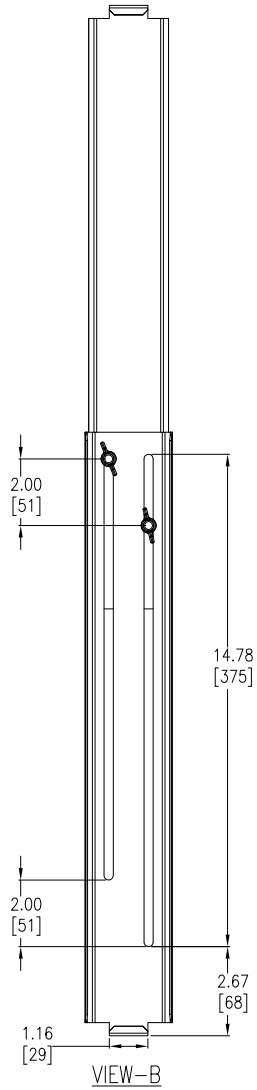
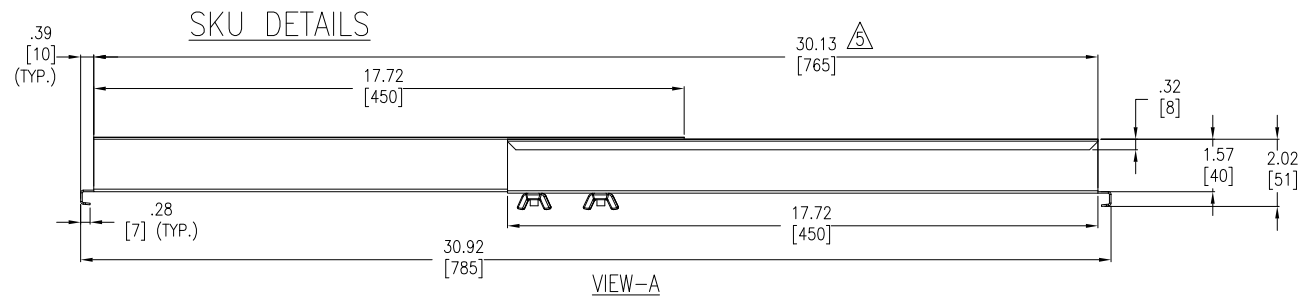


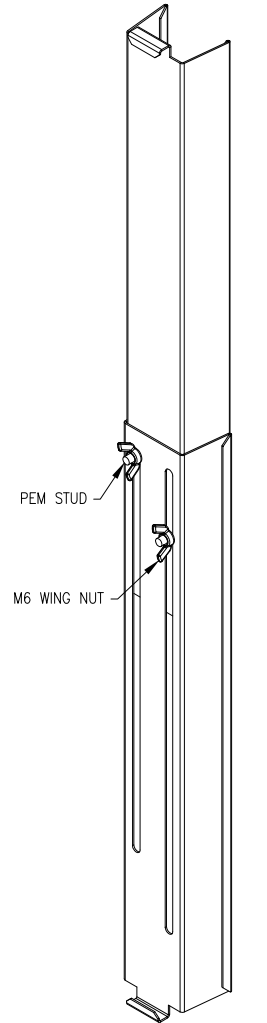
FRONT VIEW



VIEW-B

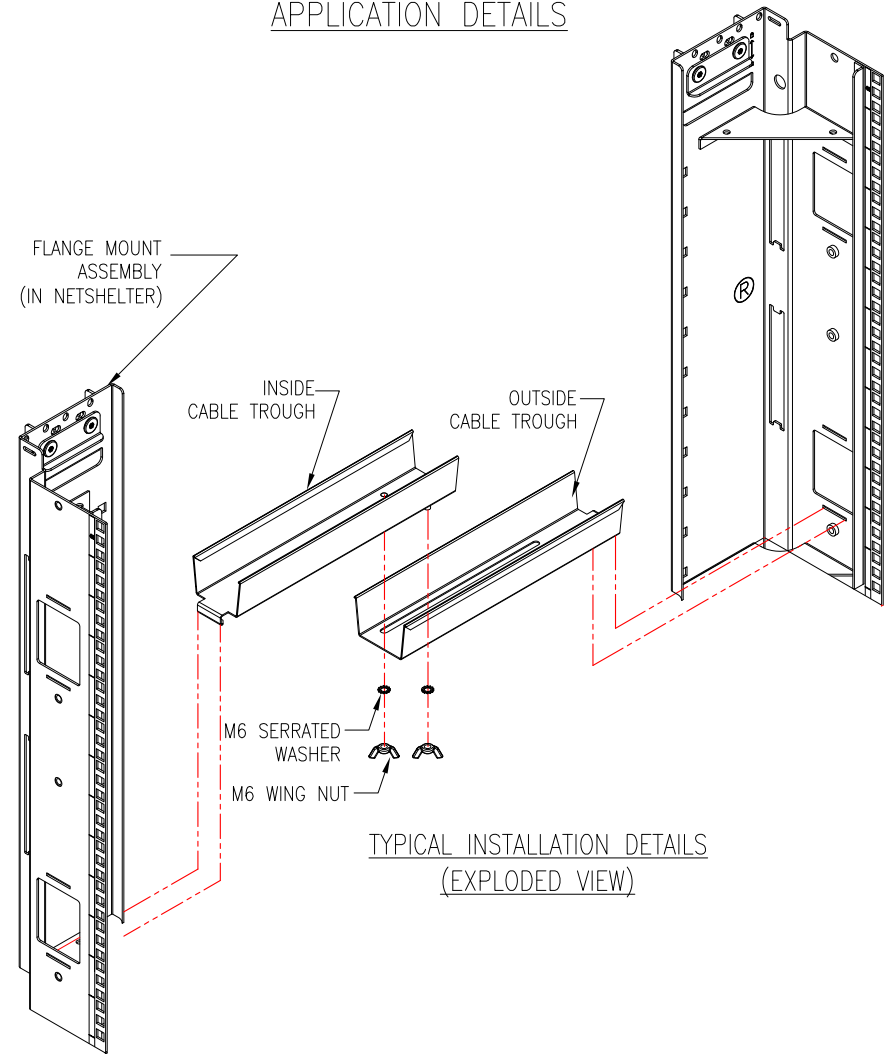


VIEW-A



ISOMETRIC VIEW

APPLICATION DETAILS



TYPICAL INSTALLATION DETAILS  
(EXPLODED VIEW)

NOTES:

1. INSTALLATION SHALL COMPLY WITH ALL APPLICABLE NATIONAL AND LOCAL CODES.
2. SEE PRODUCT DOCUMENTATION FOR FURTHER INFORMATION.
3. UNLESS OTHERWISE SPECIFIED, ALL DIMENSIONS ARE IN INCHES [MILLIMETERS].
4. WEIGHT OF UNIT IS 3.1 LBS [1.41 kg].
- △ 5. CAN BE ADJUSTED BETWEEN 18 INCHES & 30 INCHES.

THIS DRAWING AND SPECIFICATIONS HEREIN ARE THE PROPERTY OF SCHNEIDER ELECTRIC AND SHALL NOT BE COPIED, REPRODUCED OR USED IN WHOLE OR IN PART, AS THE BASIS FOR THE MANUFACTURE OR SALE OF ITEMS WITHOUT WRITTEN PERMISSION FROM SCHNEIDER ELECTRIC. THIS DRAWING IS BASED UPON LATEST AVAILABLE INFORMATION AND IS SUBJECT TO CHANGE WITHOUT NOTICE.



TITLE:  
HORIZONTAL CABLE ORGANIZER  
SIDE CHANNEL  
18-30 INCH ADJUSTMENT

PROJECT: STD SUBMITTAL DRAWINGS SHEET 1 OF 1

DWG NO: **AR8008BLK**

DRAWN BY: BALAMURUGAN 30-NOV-07

ENGINEER: M UHRHAN/B OLIVER 30-NOV-07

APPROVED BY: BSHENDANE/SILVIO LARSEN'S/MSH 30-NOV-07

REV 0

PROJ ANGLE N/A