

# Easy Adjust Monitor Stand



## MS110MB

Upgrade the basic stand your LCD monitor came with by adding ergonomic height adjustment, tilt and swivel—all with just a touch. The economical ergonomic LCD monitor solution.

- Height easily adjusts up and down through 5" range
- Monitor can rotate to portrait or landscape
- Swivels 270° and tilts forward and back 30° for optimal ergonomic positioning
- For monitors up to 16 lbs. Fits both 75 mm x 75 mm and 100 mm x 100 mm VESA-D monitor bolt hole patterns
- 3 year warranty



Height, tilt and swivel adjustable



Portrait and landscape capable

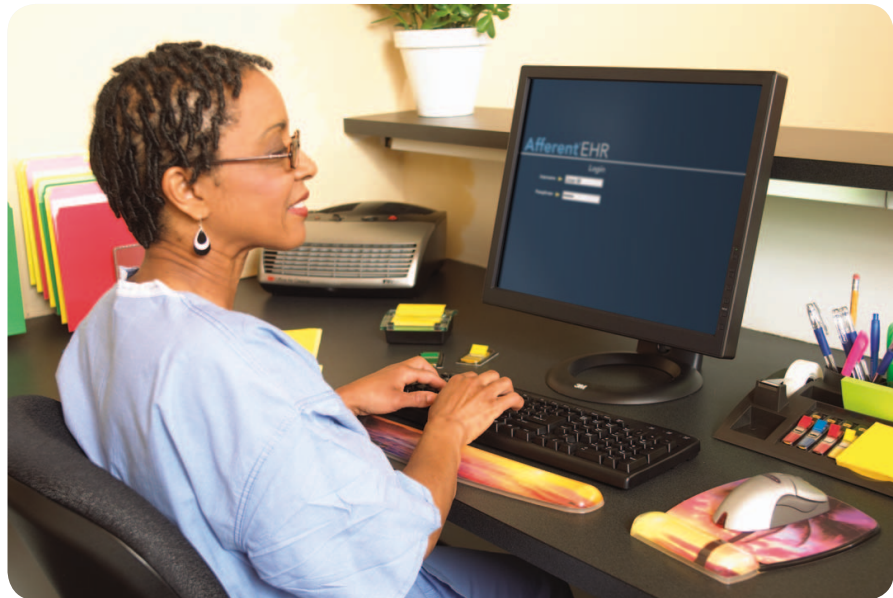
See back for detailed information

**3M**

## Easy Adjust System

The easy adjust system uses patented technology to let the user change the height of their display with just the touch of a finger—and the display stays where it's positioned!

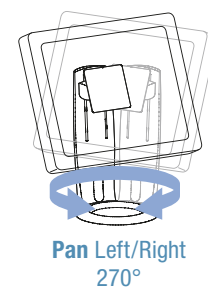
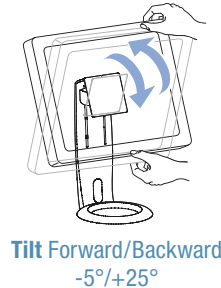
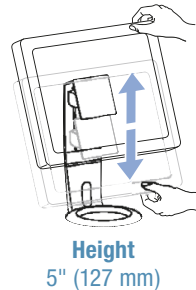
The benefit of the easy adjust technology versus gas spring based technology is the reliability and robustness of the design. With no gas to leak out of the system, 3M easy adjust monitor arms can last for thousands of cycles without failing.



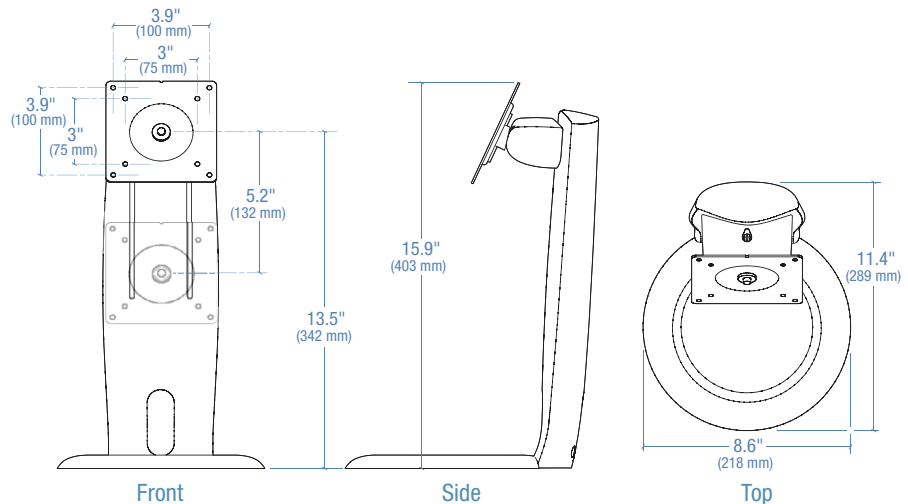
## Specifications

<b>Monitor Weight Range</b> lbs (kg)	<b>6–16</b> (2.7–7.3)
<b>Notebook Weight Range</b> lbs (kg)	<b>N/A</b>
<b>Height Range of Adjustable Segment</b> Inches (mm)	<b>5"</b> (127)
<b>Tilt Range</b> Forward/Backward	<b>-5°/+25°</b>
<b>Pan</b> Left/Right	<b>270°</b>
<b>Rotation</b> Portrait/Landscape	<b>90°</b>
<b>VESA MIS-D 75 mm and 100 mm Compatibility</b>	<b>Yes</b>
<b>Clamp Mount Max Desk Thickness</b> Inches (mm)	<b>N/A</b>
<b>Clamp Mount Min Desk Thickness</b> Inches (mm)	<b>N/A</b>
<b>Grommet Mount Max Surface Thickness</b> Inches (mm)	<b>N/A</b>
<b>Grommet Mount Min Hole Size</b> Inches (mm)	<b>N/A</b>
<b>Grommet Mount Max Hole Size</b> Inches (mm)	<b>N/A</b>
<b>Max Extension Length</b> Inches (mm)	<b>N/A</b>
<b>Max Mount Plate Height From Desk Surface</b> Inches (mm)	<b>13.5"</b> (342)
<b>Min Mount Plate Height from Desk Surface</b> Inches (mm)	<b>8.1875"</b> (208)
<b>Warranty Years</b>	<b>3</b>

## Range of Motion



## Dimensions



### Office Supplies Division Workspace Solutions Business

3M Center  
St. Paul, MN, 55144-1000  
800-332-7483  
[www.3M.com/myworkspace](http://www.3M.com/myworkspace)

Please recycle. Printed in U.S.A.  
3M is a trademark of 3M. © 3M 2007.  
70-0714-3244-0