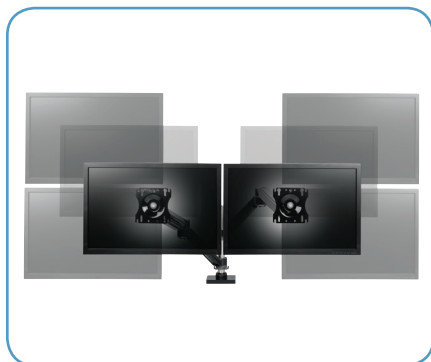


# Easy Adjust Dual Monitor Arm

## MA260MB

Free up desktop space and add your notebook screen to your LCD monitor to double the size of your computer's display. Or mount two LCD monitors side by side. Experience the productivity improvements of using two displays. Highly adjustable arms move up, down, forward and back with just a touch.

- Height easily adjusts up and down through 12.4" range
- Swivels 180° and tilts forward and back +55°/-90° for optimal ergonomic positioning
- Clamp and grommet mount hardware included
- Pair with a 3M™ Monitor Arm Laptop Support or 3M™ Monitor Arm Tablet Support to position your laptop or tablet at the optimal viewing level
- Monitor can rotate portrait or landscape
- For monitors and notebooks up to 20 lbs.
- Monitor screen size ≤27"
- Fits both 75 mm x 75 mm and 100 mm x 100 mm VESA-D monitor bolt hole patterns
- Maximum monitor/notebook combined weight — 20 lbs. each arm
- 5-year warranty



Mount two monitors or notebook computer and monitor



Cable management



Clamp and grommet mount

See back for detailed information

**3M**

## Easy Adjust System

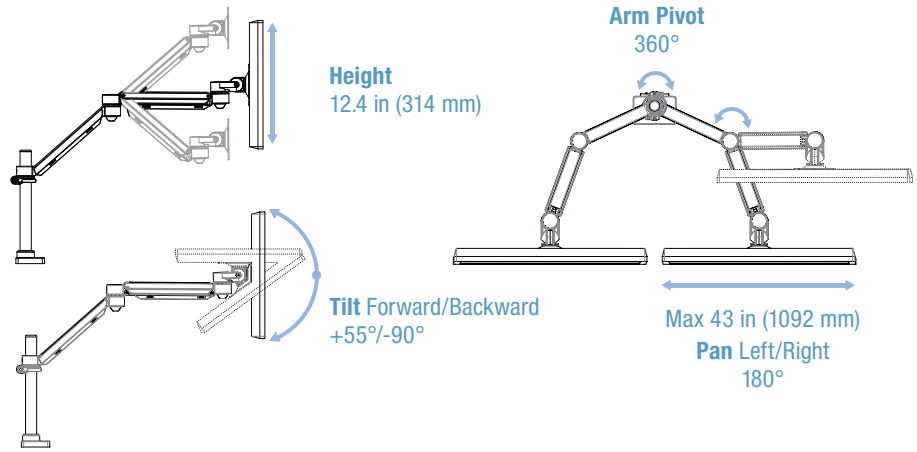
The easy adjust system lets the user change the height of their display with just the touch of a finger—and the display stays where it's positioned!

The easy adjust technology is reliable and robust. 3M easy adjust monitor arms can last for thousands of cycles without failing.

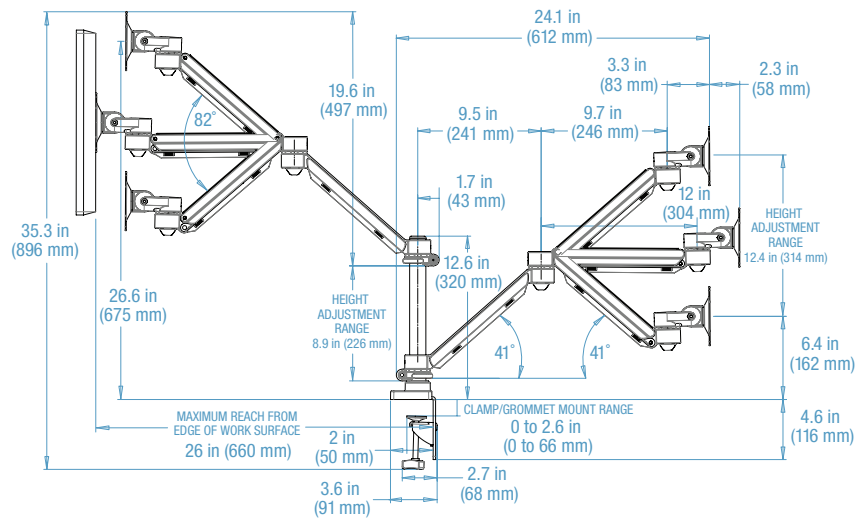
## Specifications

Features Easy Adjust Technology	Yes
Monitor Weight Capacity	20 lbs.
Notebook Weight Capacity	20 lbs.
Recommended Monitor Screen Size	≤ 27"
Height Range of Adjustable Segments	12.4"
Tilt Range Forward/Backward	+55°/-90°
Swivel Left/Right	180°
Rotation Portrait/Landscape	360°
VESA MIS-D 75 mm and 100 mm Compatibility	Yes
Clamp Mount Max Surface Thickness	2.625"
Clamp Mount Min Surface Thickness	.5"
Grommet Mount Max Surface Thickness	3"
Grommet Mount Min Hole Size	.5"
Grommet Mount Max Hole Size	2"
Max Extension Length	25.5"
Max Mount Plate Height From Surface	27"
Min Mount Plate Height From Surface	5"
Recycled Content	45%
Warranty	5

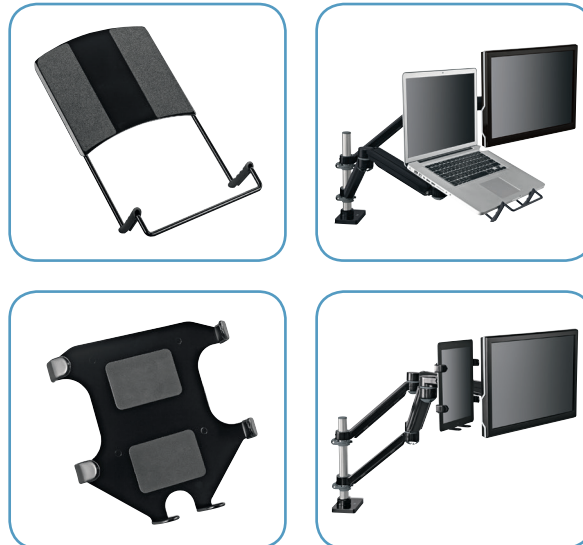
## Range of Motion



## Dimensions



## MALTOP and MATABLET Monitor Arm Accessories



Use the laptop or tablet support on your monitor arm to adjust your screen to the right position and create more space on your desk.



### Stationery and Office Supplies Division

3M Center, Building 223-3S-03  
St. Paul, MN 55144-1000  
1 800 395-1223  
www.3M.com/myworkspace

Please recycle. Printed in U.S.A.  
3M is a trademark of 3M. © 3M 2013  
70-0716-2947-4