



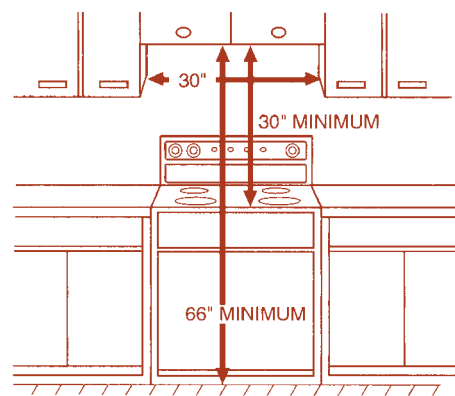
NN-SD297R

Prestige Over-The-Range Microwave Oven



Panasonic Over-The-Range Microwave Ovens

Designed for installation over a range in a standard 30" opening. Make sure the bottom of the top cabinet is 66" or more from the floor and 30" or more from the cooking surface. It is recommended that these over-the-range microwave ovens are mounted to a flush wall of 2"x4" stud and 3/8" minimum thickness drywall or plaster/lath.



Automatic Movable Louvers

The automatic movable louvers open when needed for ventilation purposes when the oven's in use. When the cooking or defrosting task is complete, the louvers will automatically close for a more elegant, high-end look that would compliment any kitchen.

Menu Action Screen (multi-lingual)

The Menu Action Screen is like having a chef to assist you in the kitchen. It scrolls step-by-step cooking instructions across the display in a choice of English, Spanish or French.

Control Panel with Blue LED Dial Rings/Blue Fluorescent Display

The silver button control panel, illuminated neon blue spin dials and generous 6-Digit expanded fluorescent display provide a high-end look and a practically effortless navigation experience in the kitchen. The flashing light around the dials take you one step further and guides you through the operation steps conveniently.

One-Touch Genius Sensor Cook and Reheat

The Genius Prestige Sensor adjusts power levels and calculates cooking and reheating times automatically for various food types



Inverter Technology



Panasonic **Inverter Technology** perfects the art of cooking with microwave ovens, delivering delicious flavor, excellent color, superb shape and texture in the foods you cook. The consistent delivery of microwave energy means delicate foods can simmer without the edges and surfaces overcooking. Foods have the look and taste of conventional-oven cooking – without the wait!

Powerful & Super Quiet Exhaust Fan & Lights

On four speeds – 420 CFM – the exhaust fan helps remove unwanted food odors without the annoyance of excessive noise. On "Turbo", the fan will refresh the air passing through the filter quickly at a fast speed of 420 CFM, and the microwave oven light has 2 options (bright & dim) to brighten the stovetop.

Inverter Turbo Defrost™

Panasonic has succeeded in evolving the Turbo Defrost™, which allows you to defrost foods even faster than previous Panasonic Auto Defrost. Panasonic Inverter Turbo technology is an advanced microwave sequencing system using the inverter continuous power delivery feature.

Elegant Design with Push-Button Door Release and Stainless Steel Fingerprint Resistant Front

Elegant, attractive and easy- to-open, the fingerprint-resistant stainless finish on the front of our Genius Prestige Microwave Oven significantly reduces the amount of unsightly smudging associated with stainless steel appliances. The microwave will look its best – even when preparing some of the messiest recipes.

Specifications																											
Model & Size				Design			Style					Performance					Programmable Cooking Features			Input Power		Model Dimensions & UPCs					
Model Number	Oven Capacity	Turntable Diameter	Cooking Power	Color	Control Panel	Display Panel	Door Front	Door Window	Exterior Wrap	Door Release	Oven Interior	Advanced Technology	Power Settings	Multi-Stage Cooking	Menu Action Screen	Cook-A-Round Automatic Turntable	Sensor Cook / Sensor Reheat	Keep Warm Button	Delay Start Select	115V 60Hz	Inside Cavity (inches)	Outside Unit (inches)	Carton Box (inches)	Net Weight	Gross Weight	UPC (0-37988-)	
NN-SD297S	2.0 Cu. Ft.	12"	1200 Watts	Stainless Steel	Dual Dials with Button Control Panel	Expanded 6-Digit "Blue" Fluorescent Display with "Flashing Guidance System"	Fingerprint Resistant Stainless Steel	Half Mirror Glass Door	Stainless Steel	Push Button	Epoxy	Panasonic Inverter	10 Levels	5 Stages	Interactive Multi-Lingual	Removable, Revolving Turntable	More/Less Time	Popcorn Button	Timer Select	12.7A, 1460W	W 23-1/4 D 14-7/16 H 9-1/2	W 29-7/8 D 15 H 16-7/16	W 33-3/16 D 18-9/16 H 20-7/16	55 lbs.	57 lbs.	910465	