

# 50L5200U

LED HDTV

**TOSHIBA**  
Leading Innovation >>>

**A SMALL PRICE  
TO PAY FOR  
BRILLIANT BIG  
SCREEN QUALITY**



#### **Ultrathin LED with New Aero™ Design**

Edge LED provides superior picture quality, modern thin bezel design and ultrathin depth. The new Aero™ design adds the stylish silver Aero™ wing to create a TV that looks great in any home décor.

#### **ClearFrame™ 120Hz for Clear, Fast Motion**

Doubles the normal frame rate to help eliminate motion blur for clearer fast-action sports, action movies and more.

#### **1080p Full HD for True Home Theater Quality**

Full HD<sup>2</sup> provides more pixel resolution than standard HD for incredible image clarity.

#### **New Dynamic Picture Mode**

Creates pictures that seem to pop off the screen! The new Dynamic Mode enhances color, sharpness, brightness and contrast to provide incredible picture quality.

#### **New Audyssey® Sound Enhancement**

A suite of advanced audio technologies that helps produce clear, crisp and natural sound. For the L5200 series the suite includes:

- Audyssey Dynamic EQ® Technology
- Audyssey Dynamic Volume® Technology
- Audyssey Bass Extension

And, New Ported Speaker Design

**1080P FULL HD**

Top HD picture quality with 1080p Full HD<sup>2</sup> resolution.

**CF120Hz**  
ClearFrame™

Reduces blurring caused by high-speed video and improves picture clarity without impacting brightness or adding flicker.

**DYNALIGHT** 

Dynamic backlight control for deeper blacks and more detail.

**AERO DESIGN™**

A sleeker, cleaner look that really stands out.

**HDMI® X3**  
HIGH-DEFINITION MULTIMEDIA INTERFACE

Easily connect to high-definition video and amazingly immersive surround sound in one cable.

**USB MEDIA** 

Easily connect to your favorite tunes and photos, create slideshows, or listen to your personal playlists with this feature.

# 50L5200U

## SPECIFICATIONS<sup>1</sup>

**TOSHIBA**  
Leading Innovation >>>

### Screen Size: 50"

- Diagonal Screen Size: 49.11"
- Design: Aero™ Cosmetic Design

### Panel

- Panel Type: LED
- Resolution: 1080P Full HD<sup>2</sup>
- Refresh Rate: ClearFrame™ 120Hz
- Backlight Control: DynaLight®

### Video Chassis

- Dynamic Picture Mode
- Native Mode™
- Game Mode

### Convenience

- Standard Remote Control

### Audio

- Audyssey® Premium Sound Suite
  - Dynamic EQ®
  - ABX

- Dynamic Volume®
- Ported Speakers
- Speaker Output: 14W

### Connectivity

- HDMI® with CEC<sup>3</sup>: 3
- USB Media: 1
- High Definition PC Input: 1
- 3.5mm PC Audio Out: 1
- Digital Audio Out: 1
- ColorStream® Component Video: 1
- Composite: 1

### Product and Packaging

- VESA Mounting Pattern<sup>4</sup>: 400mm x 400mm
- Limited Warranty: 1 Year Parts & Labor
- Power Consumption (On): 95W
- Power Consumption (Stand-by): 0.6W

- Product Dimensions & Weights
  - With Stand
    - Dimensions: 44.8"x28.7"x11.3"
    - Weight: 48.4 lbs.
  - Without Stand
    - Dimensions: 44.8"x26.9"x1.8"
    - Weight: 39.6 lbs.
  - In Packaging
    - Dimensions: 51.7"x30.5"x6.3"
    - Weight: 63.8 lbs.
- ENERGY STAR® 5.3 Compliant

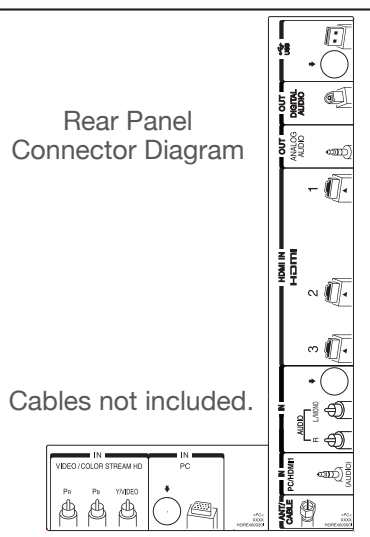
### What's in the box

- Remote Control (CT-90325)
- Batteries (AA x 2)
- Resource Guide
- Quick Start Guide
- Warranty

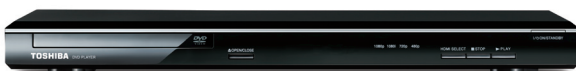
UPC Code: 022265062609

Country of Origin: Mexico

### Remote Control (CT-90325)



### Related Products



Single DVD Player



Wi-Fi® Ready Blu-ray Disc™ Player



Wi-Fi® Built-in Blu-ray Disc™ Player

1. While every effort has been made at the time of publication to ensure the accuracy of the information provided herein, product specifications, configurations, system/component/options availability are subject to change without notice. 2. 1080p/24 fps encoded content and an HD display capable of accepting a 1080p/24Hz signal required for viewing 1080p/24 fps content. 3. Use of HDMI® w/ CEC requires an HDMI® w/ CEC compatible display/peripheral device. Depending on the specifications of your device, some or all HDMI® w/ CEC functions may not work even if your display/peripheral device is HDMI® w/ CEC compatible. 4. If you decide to wall mount your Toshiba television, always use a UL Listed wall bracket appropriate for the size and weight of the television. Care should be taken to place or install the display where it cannot be pushed, pulled over, or knocked down.

© 2012 Toshiba America Information Systems, Inc. Aero, ClearFrame, ColorStream, DynaLight and Native Mode are registered trademarks or trademarks of Toshiba America Information Systems, Inc. and/or Toshiba Corporation. All other trademarks are the property of their respective owners. All rights reserved.