

24V4210U

LED Combo HDTV

TOSHIBA
Leading Innovation >>>

**WATCH
MAGNIFICENT
MOVIES, MINUS
THE CLUTTER**



Built-In Slot-Loading DVD Player

Convenient and clutter free. Instead of connecting a separate DVD player and HDMI® cable, simply insert a DVD into the TV² and watch your movie.

LED that Fits Anywhere

Small LED Combo fits easily on your kitchen counter, in your office or in a child's bedroom.

1080p Full HD for Sharper Images

Step up to 1080p Full HD³ with more pixel resolution than standard HD for incredible image clarity to TV and your PC.

New Dynamic Picture Mode

Creates pictures that seem to pop off the screen. The new Dynamic Mode enhances color, sharpness, brightness and contrast to provide incredible picture quality.

New Audyssey® Sound Enhancement

A suite of advanced audio technologies that helps produce clear, crisp and natural sound. For the V4210 series the suite includes:

- Audyssey Dynamic EQ® Technology
- Audyssey Dynamic Volume® Technology
- Audyssey Bass Extension

Multiple HD Inputs

Full connectivity with two HDMI®⁴ HD Inputs and an HD PC Input, so the TV can also be used as a PC monitor. (Great for PC gaming!)

1080P FULL HD

Top HD picture quality with 1080p Full HD³ resolution.



Built-in DVD player² for watching magnificent movies, minus the clutter.

DYNALIGHT

Dynamic backlight control for deeper blacks and more detail.

HDMI X2

Easily connect to high-definition video and amazingly immersive surround sound in one cable.

PC HIGH DEFINITION INPUT

Easily connect your PC to your TV for the big screen experience.

USB MEDIA

Easily connect to your favorite tunes and photos, create slideshows, or listen to your personal playlists with this feature.

24V4210U

SPECIFICATIONS*

TOSHIBA
Leading Innovation >>>

Screen Size: 24"

- Diagonal Screen Size: 23.6"

Panel

- Panel Type: LED
- Resolution: 1080P Full HD³
- Refresh Rate: 60Hz
- Backlight Control: DynaLight®

Video Chassis

- Dynamic Picture Mode
- Native Mode™
- Game Mode

Convenience

- Built-in DVD Player²
- Standard Remote Control

Audio

- Audyssey® Premium Sound Suite
 - Dynamic EQ®
 - ABX

- Dynamic Volume®
- Speaker Output: 10W

Connectivity

- HDMI® with CEC⁴: 2
- USB Media: 1
- High Definition PC Input: 1
- 3.5mm PC Audio Out: 1
- Digital Audio Out: 1
- ColorStream® Component Video: 1
- Composite: 1

Product and Packaging

- VESA Mounting Pattern⁵: 100mm x 100mm
- Limited Warranty: 1 Year Parts & Labor
- Power Consumption (On): 28.5W
- Power Consumption (Stand-by): 0.12W

Product Dimensions & Weights

- With Stand
 - Dimensions: 22.94"x16.17"x9.18"
 - Weight: 13.22 lbs.
- Without Stand
 - Dimensions: 22.94"x14.62"x2.56"
 - Weight: 11.7 lbs.
- Packaging
 - Dimensions: 25.66"x17.99"x5.19"
 - Weight: 18.7 lbs.
- ENERGY STAR® 5.3 Compliant

Box Contents:

- Remote Control (CT-8021)
- Batteries (AA x 2)
- Resource Guide
- Quick Start Guide
- Warranty

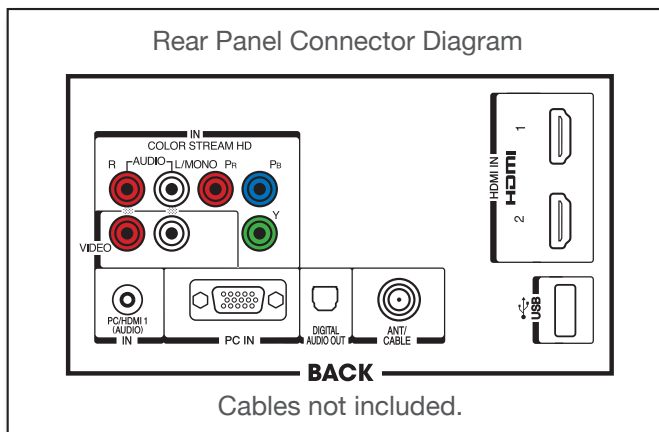
UPC Code: 022265056608

Country of Origin: China

Remote Control
(CT-8021)



Rear Panel Connector Diagram



1. While every effort has been made at the time of publication to ensure the accuracy of the information provided herein, product specifications, configurations, system/component/options availability are subject to change without notice. 2. This product is not made or sold for unauthorized use of copyrighted works, and it is only intended for recording and playback of authorized content and any other lawful use. 3. 1080p/24 fps encoded content and an HD display capable of accepting a 1080p/24Hz signal required for viewing 1080p/24 fps content. 4. Use of HDMI® w/ CEC requires an HDMI® w/ CEC compatible display/peripheral device. Depending on the specifications of your device, some or all HDMI® w/ CEC functions may not work even if your display/peripheral device is HDMI® w/ CEC compatible. 5. If you decide to wall mount your Toshiba television, always use a UL Listed wall bracket appropriate for the size and weight of the television. Care should be taken to place or install the display where it cannot be pushed, pulled over, or knocked down.