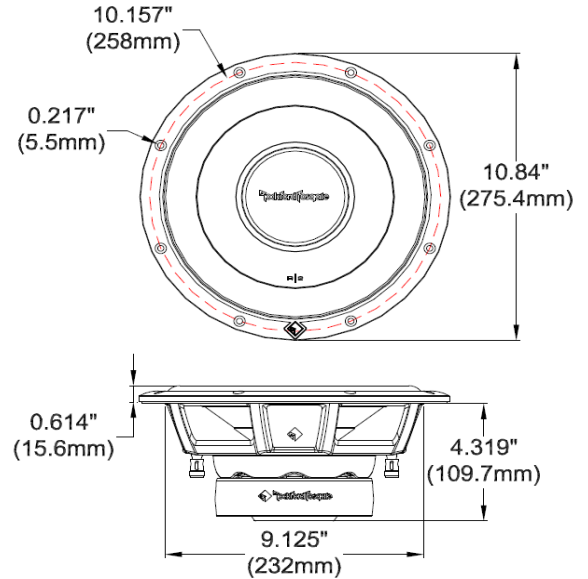


**Model:** R2D2-10

**Type:** DVC Subwoofer

**Power Rating:** 250 Watts (RMS)

**Impedance:** (2) 2 ohms



**Features**

- Injection molded polypropylene cone.
- Tear & fatigue resistant poly-cotton spider.
- High density compressed half-roll sealed poly-foam surround.
- High temp copper voice coil with aluminum former
- Optimized motor magnetics with extended pole and bumped vented backplate.
- Fatigue resistant and reduced strain "stitched on" flexible lead wire design.
- Multi-point high-temp/high-strength neck joint bonding technique.
- Heavy guage proprietary stamped steel frame
- Semi-flexible PVC removable protective motor cover.
- All metal compression input terminal assembly.

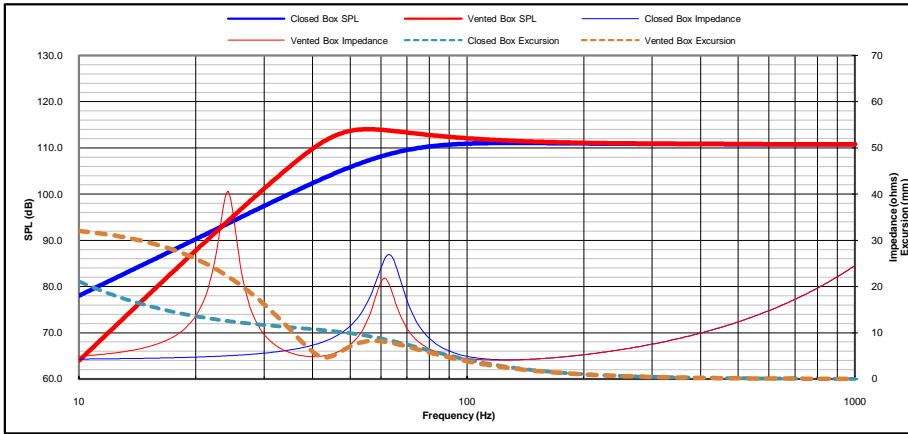
**Recommended Applications**

Enclosure	Volume (Vb)		Tuning(Fb)	System (Qtc)	-3dB (F3) Hz	Port Dia.		Port Length	
	Liters	cu.ft.	Hz			in.	cm	in.	cm
Sealed:	16.7	0.59	57.5	0.75	58.0	-	-	-	-
Ported:	39.6	1.40	43.0	-	37.1	4.0	101.6	13.1	33.3

**Thiele-Small Specifications**

- Fs (Hz): 34.6
- Re (Ohms): 3.84
- Le (mH): 3.9
- Qts: 0.47
- Qes: 0.50
- Qms: 6.93
- Cms (mm/N): 0.24
- Vas (L): 39.0
- Mms (g): 95.1
- Mmd (g): 91.5
- Rms (kg/s): 2.9
- Airload (g): 3.5
- No (%): 0.28
- SPL (dB - 1W/1M): 86.9
- BL (T\*M): 12.4
- \*Xmax<sub>10</sub> (mm): 6.5
- Sd (cm<sup>2</sup>): 339.8
- EBP: 69.2
- Krm (mOhms): 0.77
- Erm: 0.73
- Kxm (mH): 10.8
- Exm: 0.82
- Rem (Ohms): 0.46

**SPL & Excursion (at 250 Watts) / Impedance (at 1 Watt)**



**Technical Specifications**

Voice Coil Diameter:	1.949	49.505	inches   mm
Voice Coil Height:	0.748	19.0	inches   mm
Voice Coil Layers:	4		layers
Magnetic Gap Height:	0.236	6.0	inches   mm
Linear Excursion, (Xmax):	0.256	6.5	inches   mm
Maximum Excursion (mech), pk-pk:	1.28	32.5	inches   mm
Magnet Weight:	43	1.22	oz.   kg
Woofers Displacement:	1.1	0.039	liters   cubic ft.
Net Weight:	7.9	3.6	lbs.   kg
Power Rating:	250	500	RMS   Peak

\* All parameters are derived using a laser velocity measurement method and verified with actual measured Mmd and Re. All dual voice coil models are wired in series. Xmax<sub>10</sub> represents actual effective excursion at <10% THD.