

SFLT646

SMARTMOUNT LT

## Fixed Tilt Wall Mount For 32" to 40" Displays

The SmartMountLT™ series wall mounts offer one-person installation and fixed tilt capabilities. Designed for medium to larger displays, the Hook-and-Hang™ system means even one person can easily install even larger displays. The Easy-Glide™ adaptors easily hook into the wall plate for quick, simple and secure installation. The low-profile design holds the display 1.70" (43mm) from the wall. After installation, use the side-to-side adjustment to perfectly position the display. The fixed tilt feature allows you set the ideal viewing angle at 0°, 2°, 5°, or 10°.



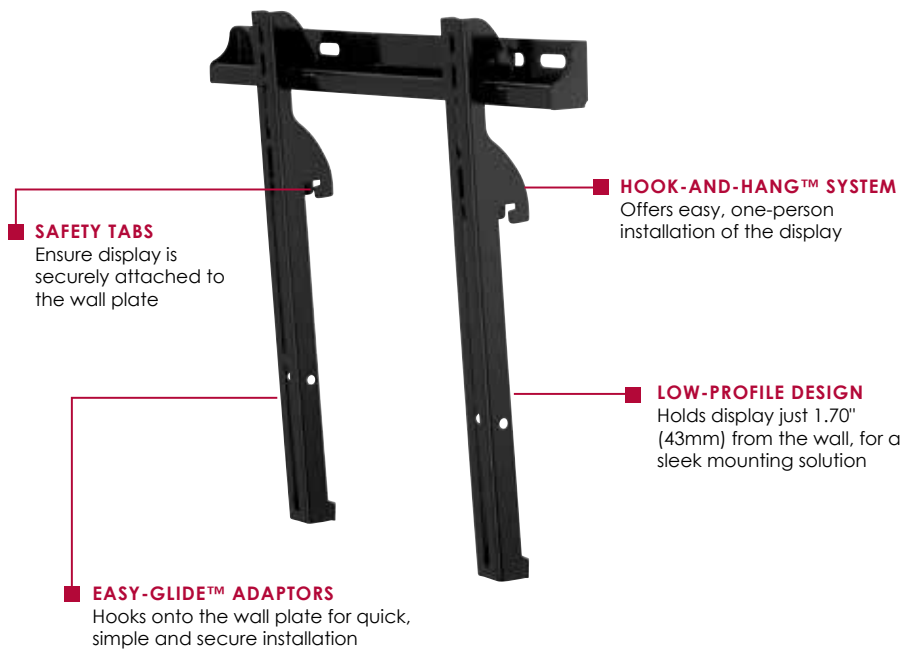
Display size: 32"-40"



Max load: 70lb (32kg)

### FEATURES

- Fits 32" to 40" displays, up to 70lb (32kg)
- The low-profile design holds the display just 1.70" (43mm) from the wall creating an ultra-low-profile finish perfect for today's ultra-slim flat panel displays
- Quick and easy, Hook-and-Hang™ one-person installation
- Side-to-side adjustment allows for perfect display positioning
- Fixed tilt at 0°, 2°, 5°, or 10° allows you to set the perfect viewing angle
- Mounts to wood studs, concrete, cinder block or metal studs (metal stud accessory required)
- Installation hardware included
- UL Listed
- Five-year warranty



### TILT ANGLE OPTIONS



Patented. Utility Patent No. 8,128,049.

CLICK: [peerless-av.com](http://peerless-av.com)

CALL: 800.865.2112

FAX: 800.359.6500

peerless-AV

<b>SFLT646</b>	SmartMountLT™ Fixed Tilt Wall Mount for 32" to 40" Displays
----------------	---

Product Specifications

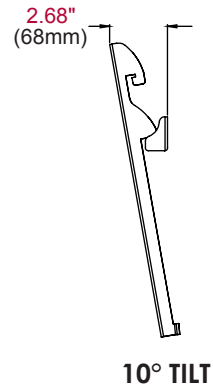
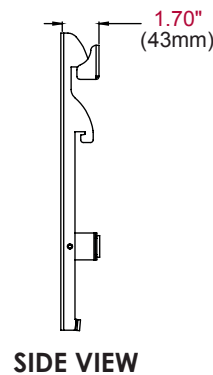
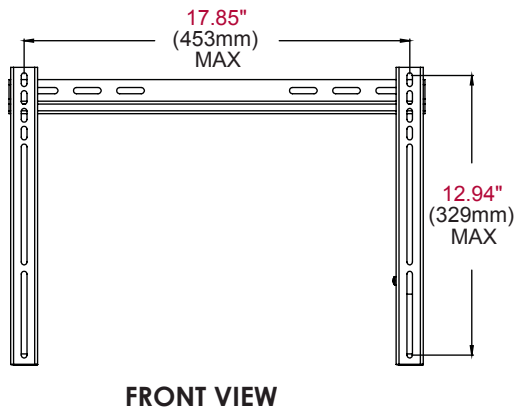
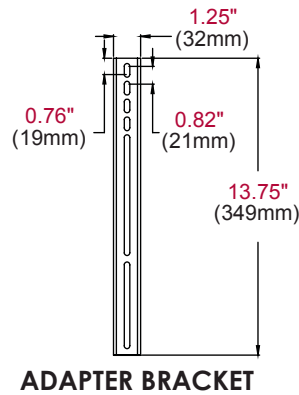
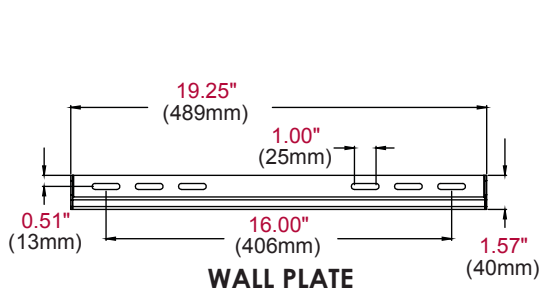
	<b>DIMENSIONS (W x H x D)</b>	<b>PRODUCT WEIGHT</b>	<b>LOAD CAPACITY</b>	<b>FINISH</b>	<b>AVAILABLE COLORS</b>
<b>SFLT646</b>	19.25" x 13.75" x 1.70"-2.68" (489 x 349 x 43-68mm)	3.00lb (1.36kg)	70lb (32kg)	Matte	Black

Package Specifications

	<b>PACKAGE SIZE (W x H x D)</b>	<b>PACKAGE SHIP WEIGHT</b>	<b>PACKAGE UPC CODE</b>	<b>PACKAGE CONTENTS</b>	<b>UNITS IN PACKAGE</b>
<b>SFLT646</b>	20.30" x 4.38" x 1.88" (521 x 111 x 48mm)	3.40lb (1.54kg)	735029294672	Wall mount, attachment hardware and installation instructions	1

Accessories

<b>ACC215:</b>	2-pack Metal Stud Fastener Kit
----------------	--------------------------------



**ARCHITECTS SPECIFICATIONS**

The Tilting Wall Mount shall be a Peerless-AV model SFLT646 and shall be located where indicated on the plans. Assembly and installation shall be done according to instructions provided by the manufacturer.