

PLCM-2-UNL



Display size
32"-75"



Max load
200lb (90kg)

SMARTMOUNT.

Universal Ceiling Mount Adaptor

FOR 32" TO 75" DISPLAYS

Peerless-AV's PLCM-2-UNL flat panel ceiling mount products and components utilize a 1.5" NPT pipe for versatility, support and connection. The 1.5" NPT threaded pipe make it simple to customize each mount to your specific application. The PLCM-2-UNL kit combines the PLP-UNL universal adaptor plate and the PLCM-2 tilt box to deliver display mounting patterns of up to 730 x 405mm. When combined with Peerless-AV ceiling plates and columns, it provides the perfect combination for flat panel ceiling mounting for sports facilities, airports, lobbies or retail environments.

PLCM-2-UNL's 360° of side-to-side swivel helps create the best viewing angle from anywhere in the room.



Additional Features

- ✓ 0° to 20° adjustable tilt and 360° swivel
- ✓ Uses standard 1.5" (38mm) NPT pipe
- ✓ Simple hook-on display installation
- ✓ Universal models fit displays with mounting holes up to 730 x 405mm (28.75"W x 15.95"H)
- ✓ Integrated cable management protects, contains and conceals cables for a clean, professional installation



Ceiling plate and column required, sold separately



PLCM-2-UNL SmartMount® Universal Ceiling Mount Adaptor for 32"-75" Displays

Product Specifications

	DIMENSIONS (W x H x D)	PRODUCT WEIGHT	LOAD CAPACITY	FINISH	AVAILABLE COLORS
PLCM-2-UNL	30.75" x 16.89" x 4.33" (781 x 429 x 110mm)	16.7lb (7.6kg)	200lb (90kg)	Powder Coat	Black

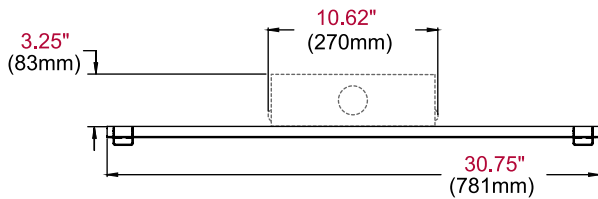
Package Specifications

	PACKAGE SIZE (W x H x D)	PACKAGE SHIP WEIGHT	PACKAGE UPC CODE	PACKAGE CONTENTS	UNITS IN PACKAGE
PLCM-2-UNL	46.75" x 8.63" x 3.88" (1187 x 219 x 99mm)	18.4lb (8.4kg)	735029275060	Tilt box, universal display adaptor, mounting hardware & instruction	1

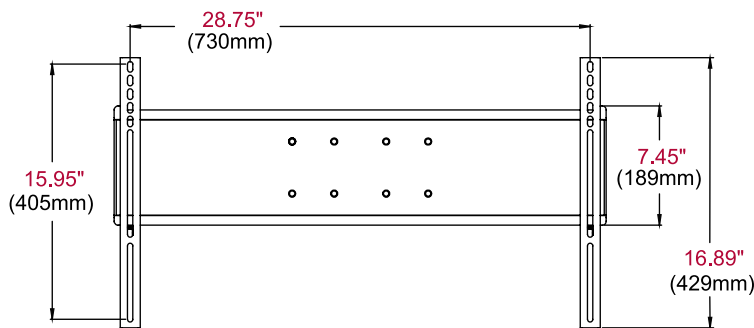
Accessories

- ACC, CMJ, DCS,
- DCT Models: Ceiling Plates
- AEC Models: Adjustable Length Extension Columns
- EXT Models: Fixed Length Extension Columns

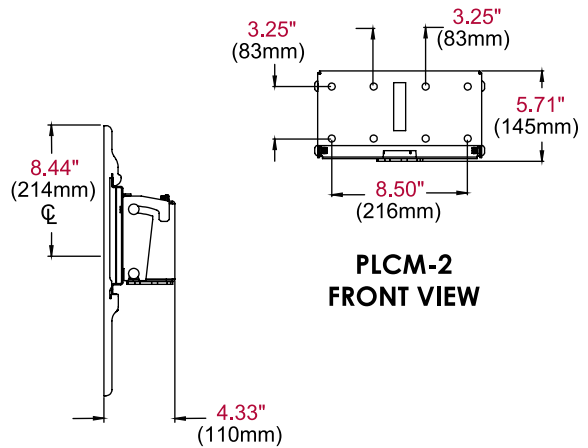
All dimensions = inch (mm)



TOP VIEW



FRONT VIEW



SIDE VIEW

PLCM-2 FRONT VIEW

Architect Specifications

The Smartmount® Universal Ceiling Mount Adaptor shall be a Peerless-AV model PLCM-2-UNL and shall be located where indicated on the plans. Assembly and installation shall be done according to instructions provided by the manufacturer.

Visit peerless-av.com to see the complete line of AV solutions from Peerless-AV, including outdoor displays, wireless, kiosks, digital audio, display mounts, projector mounts, carts/stands, and a full assortment of accessories.

Peerless-AV
2300 White Oak Circle
Aurora, IL 60502 USA

(800) 865-2112
(630) 375-5100
Fax: (800) 359-6500

Peerless-AV Europe
Unit 3 Watford Interchange
Colonial Way, Watford
Herts, WD24 4WP
United Kingdom
+44 (0) 1923 200100
Fax: +44 (0) 1923 200101

Peerless-AV de México
Ave de las Industrias 413
Parque Industrial Escobedo
Escobedo, N.L.,
Mexico 66050
+52 (81) 8384-8300
Fax: +52 (81) 8384-8360

