





Full motion | Small to medium TV articulated arm TH-2050-UFL

Ultra slim mount
for ultra slim small to medium LED, LCD and plasma televisions

Full control over screen position, ultra slim design and easy installation - this wall mount has all the design features to stylishly complete your display of a small or medium TV. The latched quick attachment system provides fast and safe installation, positioning your screen just 38mm (1.5") from the wall. The arm can be extended up to 535mm (21") and the three pivot points give a full range of movement to perfect your screen display - pan through 90° left or right, tilt or horizontally adjust. This pre-assembled arm comes complete with integrated cable management and 10 year warranty.

 Mounting hole pattern:
From 200mm to 400mm wide
From 100mm to 400mm high

 Maximum weight carrying capacity:
25kg (55lbs)



Product key features:

- Super slim design, allows display to sit only 38mm (1.5") from wall (when folded)
- Allows full range of movement via 3 pivot points
- Adjustable tilt: 5° of upward and 15° of downward tilt
- Adjustable pan (at the mounting head): 90° left and 90° right from the vertical plane*
- Horizontal adjustment range: 5° left and 5° right
- Maximum arm reach: 535mm (21")
- Minimum distance from wall: 38mm (1.5")
- Comes pre-assembled for quick and easy installation



Super slim design, allows display to sit only 38mm (1.5") from wall

* The degree of pan depends on the size of the monitor/TV.
Maximum allowed display width at full 90° pan is 1016mm (40")

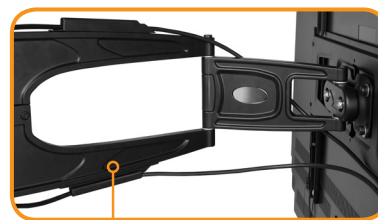
Offers a wide range of movement via 3 pivot points

Universal mounting hole pattern suits a broad range of TVs



Flexible viewing angle with display tilt/pan and horizontal adjustment

Latched quick attachment system for safe installation



Integrated cable management



Atdec Global www.atdec.com.au
Atdec North America www.atdec.com

Product information

Product Code	Load capacity	Material	Colour
TH-2050-UFL	One display up to 25kg (55lbs)	Powder coated aluminium and steel	Black

Package information, single unit

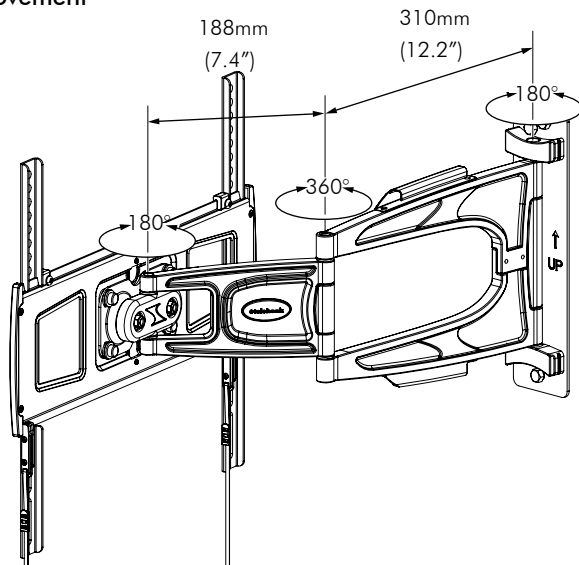
Size (L x W x H)	Ship weight	UPC code	Contents
53.3cm x 34.8cm x 6cm (21" x 13.7" x 2.4")	5.2kg (11.44lbs)	881493007338	All hardware required for installation supplied

Package information, master pack

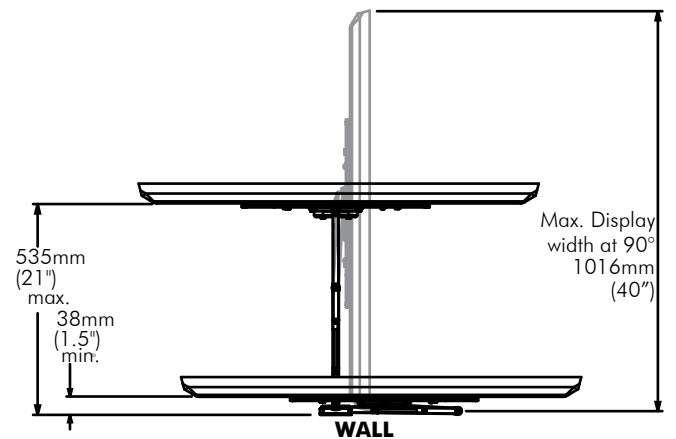
Size (L x W x H)	Ship weight	UPC code	Units per master pack
55.5cm x 36.5cm x 20.5cm (33.1" x 13.8" x 6.3")	16.3kg (35.86 lbs)	881493007345	3

Technical drawings

Arm movement

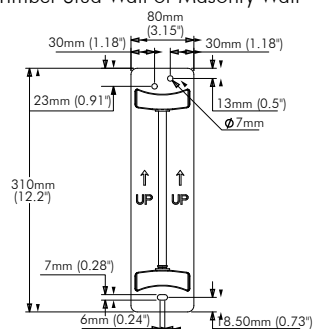


Distance from wall shown in top view

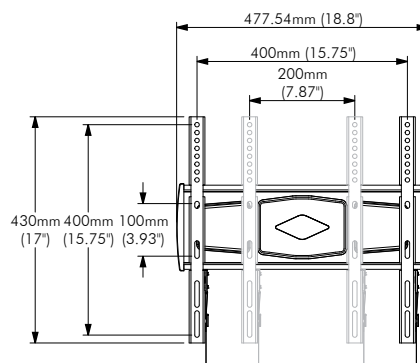


Wall mount

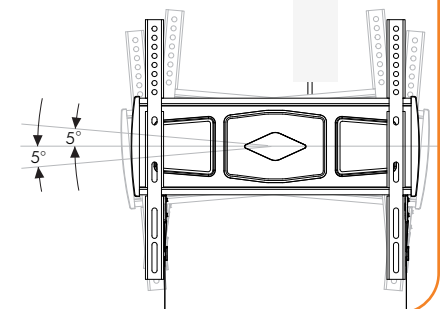
The Wall Bracket can be mounted to either:
Timber Stud Wall or Masonry Wall



Screen mounting compatibility



Range of horizontal movement



Atdec mounts are designed, developed and tested in Australia. We manufacture an extensive range of display and projector mountings for a variety of user types and situations. While all efforts have been made to ensure the information in this brochure was correct as of the date of printing, we reserve the right to change specifications without notice. Please refer to the website for our full range along with the latest details on specifications, compatibility and dealer location. Atdec and Telehook are registered trademarks with all rights reserved. Copyright July 2012.



Atdec Global www.atdec.com.au
Atdec North America www.atdec.com