



Ultra slim wall mount | Tilt

TH-3060-LPT

The Telehook TH-3060-LPT is an ultra slim wall mount for flat screen displays. It supports a variety of modern LED, LCD and Plasma displays weighing between 8kg (17.6lbs) and 50kg (110lbs). The ultra slim design provides a sleek look while quality construction ensures a lifetime of worry-free operation. The TH-3060-LPT incorporates 15° of forward tilt to help achieve the optimum viewing angle, quick display release technology and a universal VESA head that supports both VESA and non-VESA compliant displays. It is designed for quick and easy assembly and ships with all necessary mounting hardware.



Mounting hole pattern:
from 200mm to 800mm wide
from 100mm to 500mm high



Weight carrying capacity:
From 8kg (17.6lbs) to 50kg (110lbs)



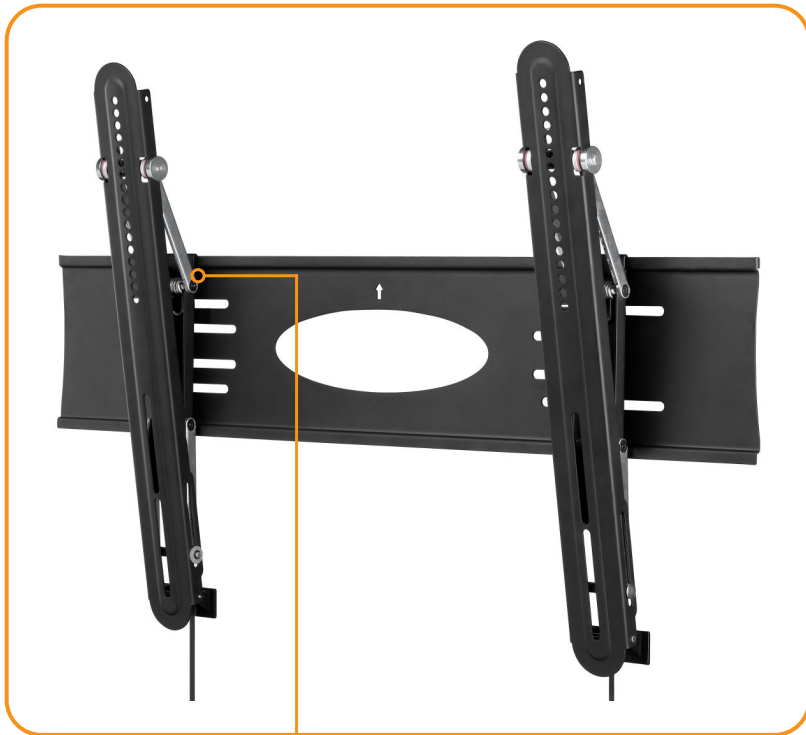
Product key features:

- Display sits just 35mm (1.37") from the wall
- Tilt adjustment: +15°
- Designed for quick and easy installation
- Quick release mechanism



Tilt adjustment: +15°

Quick release mechanism



Allows for horizontal position adjustment

Display sits just 35mm (1.37") from the wall

Bottom edge extends to allow for cable management and function access post installation



Atdec Global www.atdec.com.au
Atdec North America www.atdec.com

Product information

Product Code	Load capacity	Material	Colour
TH-3060-LPT	From 8kg (17.6lbs) to 50kg (110lbs)	Steel	Black

Package information, single unit

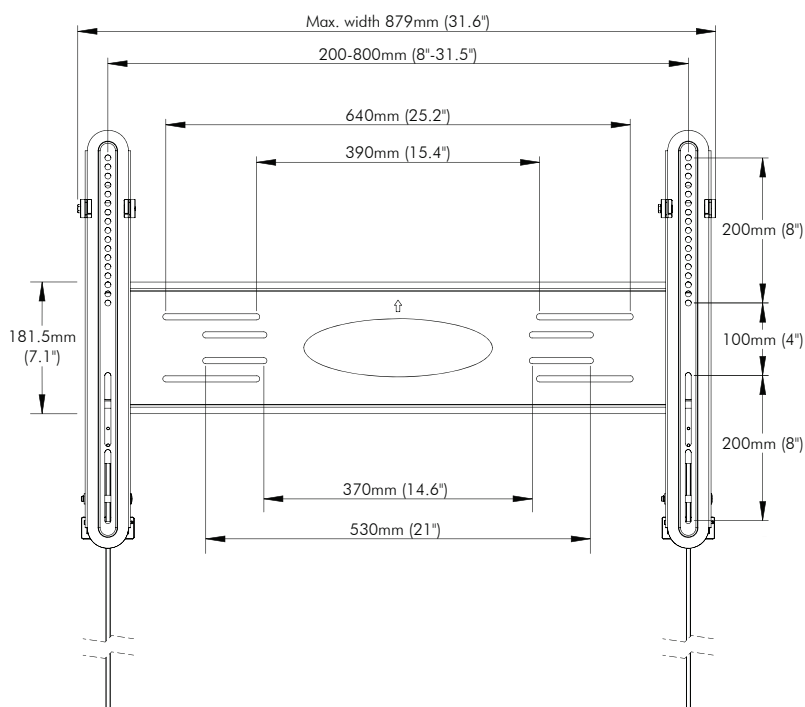
Size	Ship weight	UPC code	Contents
88cm x 19cm x 7cm (34.6" x 7.5" x 2.8")	6.3kg (13.9lbs)	881493006959	All hardware required for installation supplied

Package information, master pack

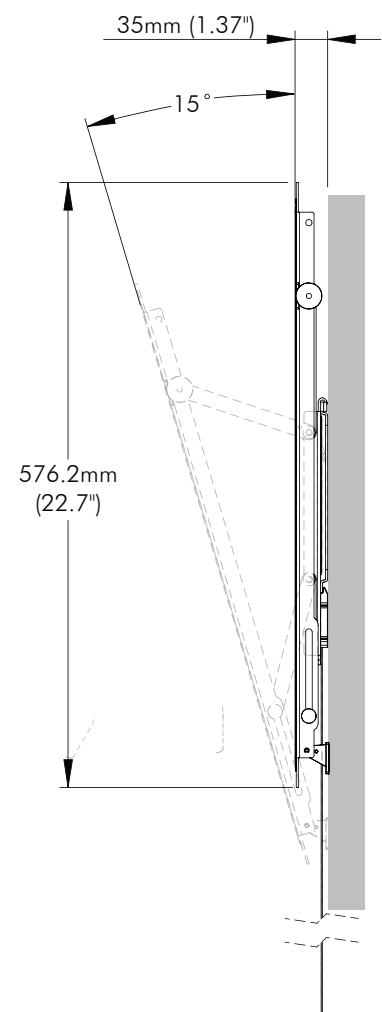
Size	Ship weight	UPC code	Units per master pack
90cm x 20cm x 30cm (35.4" x 7.9" x 11.8")	27kg (59.4lbs)	881493006966	4

Technical drawings

Screen Mounting Adjustment



Tilt Adjustment



Atdec mounts are designed, developed and tested in Australia. While all efforts have been made to ensure the information in this brochure was correct as of the date of printing, we reserve the right to change specifications without notice. Please refer to the website for our full range along with the latest details on specifications, compatibility and dealer location. Atdec and Telehook are registered trademarks with all rights reserved. Copyright May 2013.



Atdec Global www.atdec.com.au
Atdec North America www.atdec.com