

GV-FE520 5MP H.264 Fisheye IP Camera



* GV-FE520 is excluded from Japan, EU and German market.

Introduction

The GV-FE520 is a fisheye camera that allows you to monitor all angles of a location using just one camera. The distorted hemispherical image of the fisheye camera will be converted into the conventional rectilinear projection.

Without installing any software, you can watch live view and utilize functions such as motion detection, privacy mask, and alert notification through the Web interface using an IE browser. In addition, the GV-FE520 seamlessly integrates with the GV-System, providing advanced monitoring and video management features.

The GV-Fisheye IP Camera is designed to be mounted on the ceiling, wall or ground. There are two ways to mount the GV-FE520 on the ceiling, Hard Ceiling Mount and In-Ceiling Mount. In-Ceiling Mount allows the GV-FE520 to be mounted into the ceiling, revealing a small portion of the camera.

Key Features

- 5MP progressive scan CMOS
- H.264 and MJPEG
- [Digital Object Tracking](#)
- Wide Dynamic Range (WDR)
- Electronic Day/Night function
- Provides 360 and 180 degrees panorama view
- No mechanical moving parts
- Built-in Web server for monitoring through IE browser
- Virtual PTZ function
- Auto Pan function
- Different angle of view accessible by multiple users at the same time
- Playback from any view angle and zoom level
- Privacy mask
- Visual automation
- Tampering alarm
- Two-way audio
- One sensor input and alarm output
- DC 12V / AC 24V / PoE
- Memory Card Slot
- 31 languages on Web interface
- ONVIF conformant

* No Memory Card Slot & local storage function for Argentina.

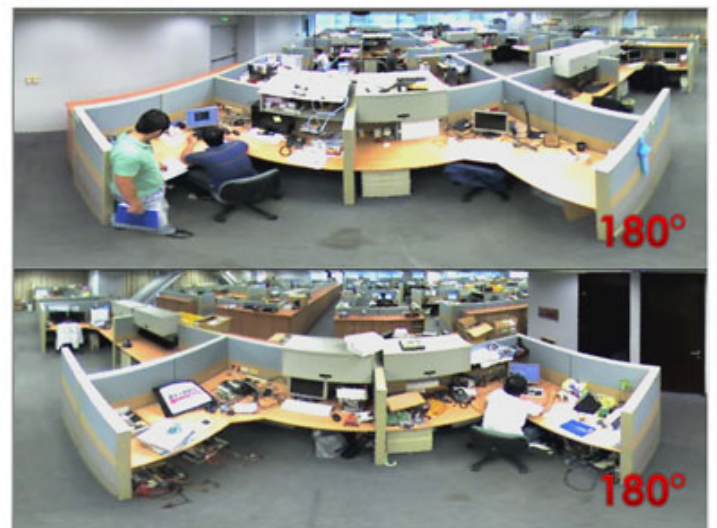
Fisheye Source Image



Single View



2 x 180° View

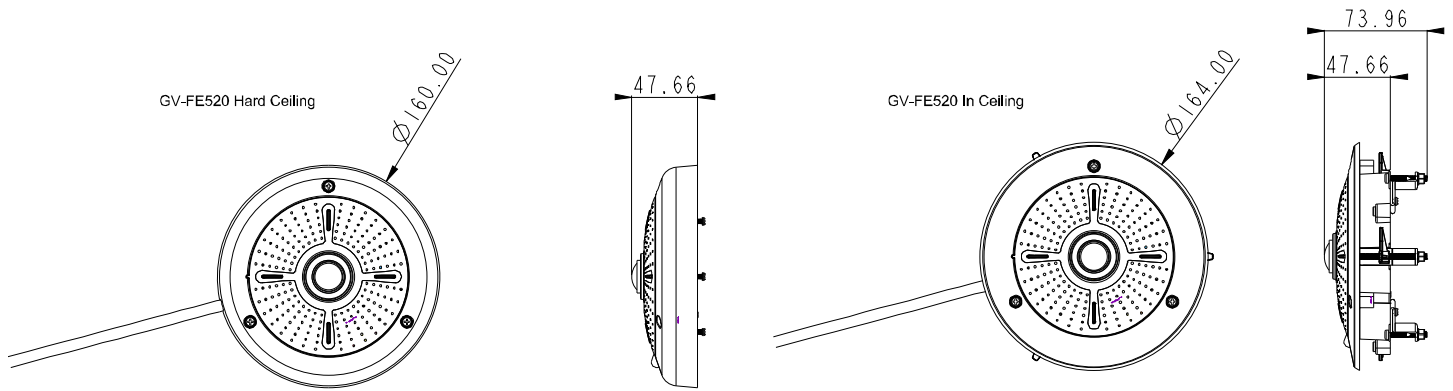


360° View



Quad View



SPECIFICATIONS


System Requirements		
OS	32-bit	Windows XP / Vista / 7 / Server 2008
	64-bit	Windows 7 / Server 2008
GV-System Version	GV-System V8.5.0.0 or later	
Browser	Internet Explorer 7.x or later	
Camera		
Image Sensor	1/2.5" progressive scan CMOS	
Picture Elements	2560 (H) x 1920 (V)	
Minimum Illumination	Color	2 Lux at F/2.0
	B/W	
Shutter Speed	Automatic , Manual (1/5 – 1/8000 sec) –	
White Balance	Automatic, Manual (2800K~8500K)	
Optics Lens		
Megapixel	Yes	
Day/Night	Yes (electronic)	
Iris	Fixed Iris	
Focal Length	1.6 mm	
Aperture	F/2	
Mount	M12, Pitch 0.5 mm	
Image Format	4.7 mm (Image Circle)	
Operation	Focus	None
	Zoom	None
	Iris	Fixed
Operation		
Video Compression	H.264, MJPEG	
Video Streaming	Single stream from H.264 or MJPEG	
Frame Rate	10 fps at 2560 x 1920	
Image Setting	Brightness, Contrast, Sharpness, Gamma, White Balance, Flicker-less, Backlight Compensation, Image Orientation, Shutter Speed, Day / Night, WDR, Defog	
Audio Compression	G.711, AAC (16 kHz / 16 bit) * AAC is only supported by GV-System V8.5 or later	
Two-way Audio	Yes	
Sensor Input	1 Digital Input (Dry Contact)	
Alarm Output	1 Digital Output	
Network		
Interface	10/100 Ethernet	
Protocol	HTTP, HTTPS, TCP, UDP, SMTP, FTP, DHCP, NTP, UPnP, DynDNS, RTSP, PSIA, SNMP, QoS (DSCP), ONVIF	
Mechanical		
Lens Mounting	M12, Pitch 0.5 mm / 0.02 in	
Temperature Detector	Yes	

Connectors	Power	Terminal block (3 pin), PoE	
	Ethernet	Ethernet (10/100 Base-T), RJ-45 Connector	
	Audio	Built-in microphone and speaker	
	Digital I/O	I/O Wire	
	Auto Iris	None	
	Local Storage	Micro SD/SDHC/SDXC memory card slot (for Class 6 card or above)	
	TV-Out	None	
General			
Environment Temperature	0 °C ~ 50 °C / 32 °F ~ 122 °F		
Humidity	10% to 90% (no condensation)		
Power Source	12V DC / 24V AC / PoE (IEEE802.3af)		
Max. Power Consumption	5W		
Dimensions	Camera Body	Hard-Ceiling Mount	ø 160 x 44.9 mm / 6.30 x 1.77 in
		In-Ceiling Mount	ø 164 x 44.9 mm / 6.46 x 1.77 in
	Cable Length	1 m / 3.28 ft	
	Cable Diameter	ø 8 mm / 0.31 in	
	Maximum Connector Diameter	ø 28.5 mm / 1.12 in	
Weight	650 g / 1.43 lb		
Regulatory	CE, FCC, C-Tick, RoHS compliant		
Power over Ethernet			
PoE Standard	IEEE 802.3af Power over Ethernet / PSE		
PoE Power Supply Type	End-Span		
PoE Power Output	Per Port 48V DC, 350mA. Max. 15.4 watts		
Web Interface			
Installation Management	Web-based configuration		
Maintenance	Firmware upgrade through Web Browser or Utility		
Access from Web Browser	Camera live view, video recording, change video quality, bandwidth control, image snapshot, digital I/O control, audio, Picture in Picture, Picture and Picture, Privacy Mask, Visual Automation, Tampering Alarm, Auto Pan function, virtual PTZ, motion detection, wide angle lens dewarping, text overlay		
Language	Arabic / Bulgarian / Czech / Danish / Dutch / English / Finnish / French / German / Greek / Hebrew / Hungarian / Indonesian / Italian / Japanese / Lithuanian / Norwegian / Persian / Polish / Portuguese / Romanian / Russian / Serbian / Simplified Chinese / Slovakian / Slovenian / Spanish / Swedish / Thai / Traditional Chinese / Turkish		
Applications			
Network Storage	GV-NVR, GV-System, GV-Backup Center, GV-Recording Server		
Live Viewing	IE , GV-MultiView		
CMS Server Support	GV-Control Center, GV-Center V2, GV-VSM		

Note: Specifications are subject to change without notice.