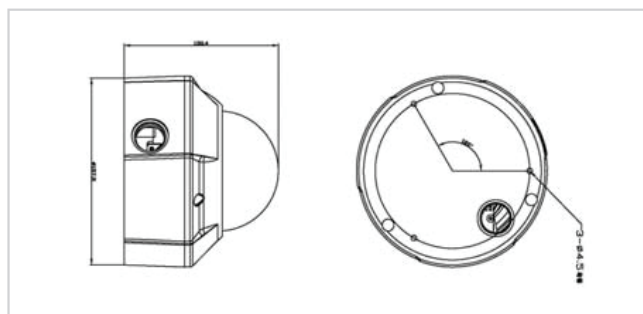
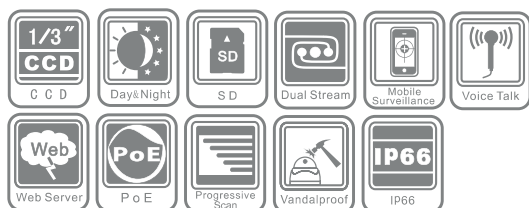




## DS-2CD762MF-FB 1.3 Megapixel CCD-based Vandal Proof IP Dome Camera

- Linux OS embedded
- TI DaVinci hardware compression
- High resolution video preview: 1600×1200 pixels
- H.264 dual stream real time video compression in HD720P/4CIF/DCIF/2CIF/CIF/QCIF
- SDHC card local storage
- Support IE client for network preview

Unit: mm



### Specifications

		DS-2CD762MF-FB
Camera	Image Sensor	1/3 inch SONY progressive scan CCD
	Effective Pixels	1280 (H) × 960 (V), 1.3M CCD
	Min. Illumination	0.1Lux @ F1.2
	Day&Night	ICR
	Lens	3.3-12mm @ F1.4 /Auto Iris lens
Compression Standard	Video Compression	H.264
	Video Bit Rate	32 K ~ 2M, adjustable ( 8Mbps maximum)
	Audio Compression	OggVorbis
Image	Max. Image Resolution	1280 × 960
	Frame Rate	12.5fps (1280 × 960), 25fps(1280 × 720), 25fps (640 × 480)
Functions	ePTZ	Support
	Motion Detection	Support
	Dual Stream	Support
	SD Card Local Recording	Support
	Heartbeat	Support
	Password Protection	Support
	Protocols	TCP/IP,HTTP,DHCP,DNS,RTP/RTCP, PPPoE (FTP, SMTP, NTP, SNMP addible)
Interface	Audio Input	1 channel (2.0 ~ 2.4Vp-p,1kΩ)
	Audio Output	1 channel (Line level, 600Ω)
	Communication	1 RJ45 10M / 100M self-adaptive Ethernet port and 1 RS-485 interface
	Alarm Input	1 channel signal input
	Alarm Output	1 channel signal relay output
General	Power Supply	24VAC±10% / 12VDC±10% , or PoE (Power over Ethernet)
	Power Consumption	5W
	Working Temperature	-10°C ~ 60°C ("H" series support-40°C ~ 60°C)
	Weather Proof	IP66
	Impact Protection	IEC60068-275Eh,50J;EN50102, exceeding IK10
	Dimensions	Φ156 × 134.5 (Φ6.2" × 5.33")
Weight	1400g (3.08lbs)	