

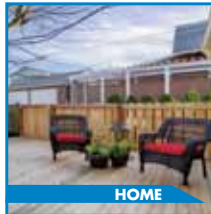


**LOREX**<sup>®</sup>  
VIEW YOUR WORLD™

# SECURITY CAMERA



## A SUPER RESOLUTION PERSPECTIVE



HOME



BUSINESS



RETAIL



COMMERCIAL



## VIEW YOUR WORLD - IN SUPER RESOLUTION.

- ▶ FLEXIBLE VIEWING ANGLE
- ▶ CLEAR-NIGHT TECHNOLOGY
- ▶ VANDAL RESISTANT

### PROFESSIONAL-GRADE PERFORMANCE

See with exceptional sharpness, clarity and super resolution powered by the Sony HAD™ II image sensor

### ADJUSTABLE FOCUS AND ZOOM

View from a wide angle or get up close and personal with easy-access manual focus

### CLEAR VIDEO DAY OR NIGHT

ClearNight imaging technology ensures clear night vision and recording efficiency

### FEATURES

- Advanced Sony Super HAD™ II image sensor
- Video image processor delivers 600TV lines of resolution
- 4-9mm manual zoom lens for flexible viewing angle (39-93° diagonal)
- ClearNight imaging technology ensures clear night vision and improves recording efficiency up to 30%
- Night Vision up to 75ft (23m) away in total darkness 1
- Split glass design minimizes IR reflection
- IP66 rated aluminum housing for indoor/outdoor installations 2

FEATURES
600 TVL
75ft NIGHT VISION
VARIFOCAL LENS
INDOOR/OUTDOOR

RESOLUTION COMPARISON		NIGHT VISION COMPARISON	
Standard Resolution	Super Resolution	Typical	With Advanced Digital Noise Reduction

**VANTAGE**

LDC6081

[www.lorextechnology.com](http://www.lorextechnology.com)

## PRODUCT INFORMATION

<b>LDC6081</b>	7-78597-60810-6
Package Weight:	1.4 kg / 3.08 lbs
Package Dimensions: (W x D x H)	216mm/8.5" (w) x 172mm/6.7" (d) x 140.5mm/4.1 (h)
Package Cube:	0.13 Cbf / 0.003681 Cbm
Contents:	1x Camera, 1x 60ft BNC / Power extension cable 1x BNC female / RCA male adapter 1x 12V DC power adapter

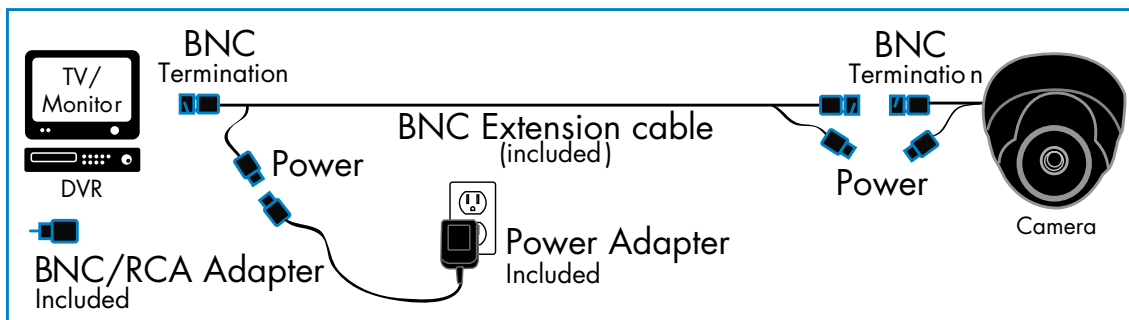
## DISCLAIMERS

- 1 IR illumination range under ideal conditions. Objects at or beyond this range may be partially or completely obscured, depending on the camera application.
- 2 Not intended for submersion in water. Installation in a sheltered location recommended.

## SPECIFICATIONS

Image Sensor:	1/3" Sony Super HAD™ II
Video Format:	NTSC
Effective Pixels:	H: 768 V: 494
Resolution:	600 TV Lines
Scan System:	2:1 Interlace
Sync System:	Internal
S / N Ratio:	50dB (AGC Off)
Iris:	AES
AES Shutter Speed:	1/60 ~ 1/100,000 sec.
Min. Illumination:	0.2 Lux without IR LED 0 Lux with IR LED
Video Output:	Composite 1.0Vpp @ 75ohm
Lens / Lens Type:	4-9mm F1.4 / Varifocal
FOV (Diagonal):	39-93°
Termination:	BNC Type
IR LED Qty. / Type:	28 pieces / 850nm
Night Vision Range:	75ft / 23m
Power Requirement:	12V DC ±10%
Power Consumption:	Max. 400mA (w / IR)
Operating Temp. Range:	14° ~ 122°F / -10° ~ 50°C
Operating Humidity Range:	< 90% RH
Environmental Rating:	IP66
Weight (including stand):	1.6lbs. / 0.7kg

## INSTALLATION DIAGRAM



# VANTAGE

**LDC6081**

[www.lorexttechnology.com](http://www.lorexttechnology.com)

### Lorex Technology Inc.

250 Royal Crest Court, Markham,  
Ontario L3R 3S1  
Canada.

3700 Koppers Street  
Baltimore, Maryland 21227,  
USA.

As our product is subject to continuous improvement, Lorex Technology & subsidiaries reserve the right to modify product design, specifications & prices without notice and without incurring any obligation. E&OE.

©2011 Lorex Technology Inc.