



STOP CRIME BEFORE IT STARTS

- ▶ SURVEILLANCE AND DETERRENCE
- ▶ SEE IN COLOR AT NIGHT
- ▶ ADVANCED MOTION DETECTION
- ▶ HIGH RESOLUTION VIDEO DAY AND NIGHT

STOP CRIME IN ITS TRACKS

When motion is detected close to the camera, intense white light LEDs are activated, helping to scare away would-be criminals.

DUAL NIGHT VISION TECHNOLOGY

Dual infrared/white-light LEDs provide full-color night vision in complete darkness for long-range monitoring and close-up recognition.

SEE THE FACE OF CRIME

Sudden bright light draws attention to the camera, allowing you to capture faces for easy identification.


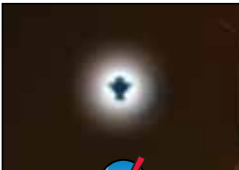

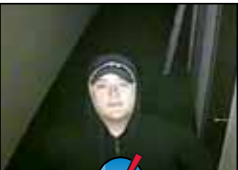
FEATURES	
540 TVL	
9ft	MOTION SENSOR
30ft	WHITE LIGHT
60ft	NIGHT VISION
Indoor/Outdoor	

FEATURES

- High resolution Sony Super HAD™ image sensor delivers 540TV lines of resolution
- Designed for entry/exit locations with 9ft motion detection range to detect only relevant activity
- Capable of capturing images up to 60ft (18m) away in total darkness in B/W and up to 30ft (9m) in color¹
- 4.3mm wide angle lens for wide area coverage (80° FOV)²
- IP67 rated housing for indoor/outdoor installations³

VANTAGE

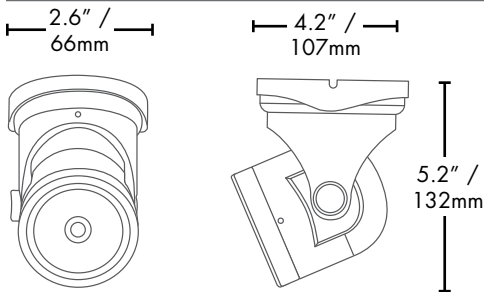
LBC5451 SERIES

DUAL NIGHT VISION		FACE CAPTURE	
			
Infrared LEDs for night vision	White Light LEDs for deterrence and color night vision	Typical night vision camera	White light LEDs draw attention to help identify faces

PRODUCT INFORMATION

LBC5451	7-78597-54510-4
Package Dimensions: (W x D x H)	170 x 150 x 144.5mm 6.7 x 5.9 x 5.7"
Package Cube:	0.004 CBM / 0.13 CBF
Weight:	1.1kg / 2.5lbs
Contents:	<ul style="list-style-type: none"> • Camera • 60FT (18M) BNC extension cable • BNC Female/RCA Male adapter • Flexible wall/ceiling mounting bracket • 12V DC power adapter

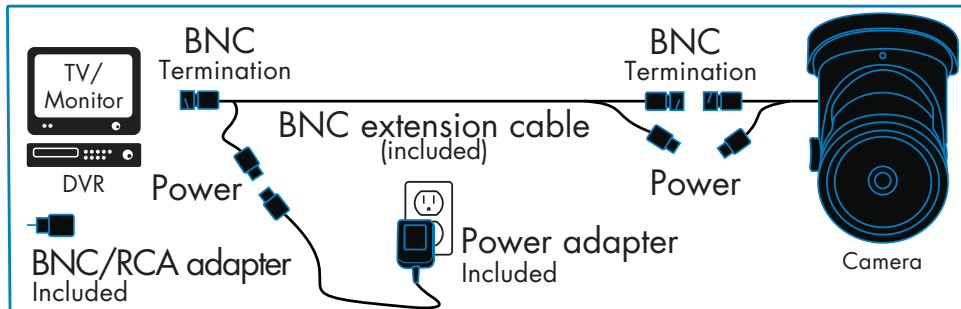
DIMENSIONS



DISCLAIMERS

1. Illumination range under ideal conditions. Objects at or beyond this range may be partially or completely obscured, depending on the camera application. Color night vision only available once motion triggers white light LEDs to turn on
2. Field of view, diagonal
3. Not intended for submersion in water. Installation in a sheltered location recommended.

INSTALLATION DIAGRAM



VANTAGE

LBC5451 SERIES

Lorex Technology Inc.

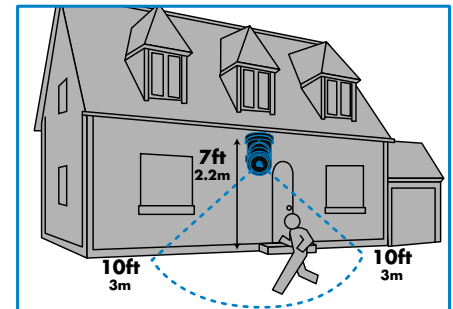
250 Royal Crest Court, Markham,
Ontario L3R 3S1
Canada.

3700 Koppers Street
Baltimore, Maryland 21227,
USA.

SPECIFICATIONS

Image Sensor:	1/3" Sony Super HAD™ II
Video Format:	NTSC
Effective Pixels:	H: 768 V: 494
Resolution:	540 TV Lines
Scan System:	2:1 Interlace
Sync System:	Internal
S/N Ratio:	48dB (AGC Off)
Iris:	AES
AES Shutter Speed:	1/60 ~ 1/100,000 Sec.
Min. Illumination:	0.2 Lux without IR LED, 0 Lux with IR LED
Video Output:	Composite 1.0Vpp @75 ohm
Lens/Lens Type:	4.3mm F2.0/Fixed
FOV (Diagonal):	80°
Termination:	BNC Type
IR LED Qty/Type:	12 pieces/850nm
Night Vision Range:	60ft/18m
White LED Quantity:	8 pieces
White LED Range:	30ft/9m
Power Requirement:	12V DC ±10%
Power Consumption:	Max. 230mA (w/LED)
Operating Temp. Range:	14° ~ 122°F / -10° ~ 50°C
Operating Humidity Range:	< 80% RH
Environmental Rating:	IP67
Weight (incl. stand):	0.8lbs/0.4kg

HOW IT WORKS



Motion Detection Range

www.lorexttechnology.com

©2011 Lorex Technology Inc.
As our product is subject to continuous improvement, Lorex Technology & subsidiaries reserve the right to modify product design, specifications & prices without notice and without incurring any obligation. E&OE.