

Lexmark C925de color printer



Affordable A3 color for your busy workgroup

Model



Lexmark C925de

The Lexmark C925de color printer delivers outstanding A3 color printing, easy-to-use features and productivity solutions, all through an affordable, compact design.



Color



Touch screen



Solutions



A3 / 11 x 17



Up to 30 ppm



Duplex



Network

LEXMARK
TM

Lexmark C925de: key features

Features that help you optimize your work



1) Intuitive color touch screen

The 4.3-inch color touch screen allows you to operate your printer with ease and confidence through smart and intuitive navigation, easy access to workflow solutions and shortcuts, and the ability to preview your documents and print jobs at the device.



2) Advanced security

Protect your device, data and network with innovative security controls, like authentication and authorization, and an optional hard disk with disk wiping and encryption.



3) Direct USB

The front USB port allows for convenient walk-up preview and printing, and is compatible with most printable image file formats.



4) Load multiple media types

150-sheet and 250-sheet input trays and a multipurpose feeder come standard, allowing you to load three media types.



5) Front-loading toner cartridges

Cartridges are conveniently located at the front of the device for easy access.



6) Lexmark solutions

Reduce unnecessary printing and simplify work processes through solution applications preloaded on your device. Choose additional Lexmark solutions to fit your unique workflow needs.



7) Eco-friendly features

Print responsibly with easy-to-access features, including Eco-Mode to reduce paper and toner consumption, and the Sleep button to help you save energy.

Lexmark C925de: overview



Affordable A3 Color Printing

The Lexmark C925de provides A3 (11 x 17) printing at an affordable price. With its compact design, you can also save valuable office space. Enjoy the benefits of vibrant, professional-quality output on a wide variety of media, allowing you to do more color printing in-house. With the advanced color technology of the C925de, you'll get excellent, consistent color from the first page to the last.

- PANTONE® calibration for consistent color tones
- Named Color Replacement for easy color matching
- Supports media up to 11.7 x 48 inches
- Lexmark Color Care Technology to manage color usage and control costs



Easy and Intuitive

The Lexmark C925de is designed for easy operation and maintenance.

- 4.3-inch color touch screen provides audible feedback to make completing tasks intuitive
- Front USB port for walk-up printing
- Print Preview features help you select documents or specific pages within a document
- Ability to change settings, such as duplex, at the device
- Eco-friendly features and settings to reduce energy and waste



Built for Business

Designed for medium to large workgroups, the C925de is robust enough to meet the demands of your busy color printing environment, while offering the advanced networking, security and device management capabilities you need.

- Print speeds as fast as 30 ppm in both black and color
- Standard paper input capacity of up to 450 sheets with expandability up to 2,100 sheets
- Robust connectivity makes it easy to integrate into most network environments
- Preloaded solutions to drive greater efficiency, and Lexmark Embedded Solutions Framework to further extend the capabilities of the device
- Fast 800 MHz processor and 256MB standard RAM to quickly process complex print jobs
- Innovative security controls to help protect your device, data and network, including authentication and authorization. Optional hard disk offers disk wiping and encryption
- Advanced job and user accounting to track device usage and environmental cost (hard disk required)
- Device management software available

Print Less. Save More.

Print less? This may seem like a surprising message for a company dedicated solely to printing. But when you consider that businesses spend on average up to 6% of their revenue on printing and that active print management can cut office print costs by up to 30%*, it makes a lot of sense. Lexmark products, solutions and services provide innovative ways to save you time, drive down costs and reduce your impact on the environment. We are committed to helping you print less and save more.



Solutions

Save time and money through solutions

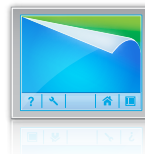
Reduce unnecessary printing and simplify work processes with Lexmark solutions. The C925de features the Lexmark Embedded Solutions Framework (eSF), our platform that enables you to add a wide range of software applications directly onto the device. Solutions are designed with your productivity in mind, helping you streamline—or even eliminate—paper intensive business processes.

Below are solutions that come preloaded on the C925de. A diverse portfolio of additional Lexmark solutions is available to help accommodate your workflow needs.



Forms and Favorites

Eliminate waste and inefficiencies associated with preprinted forms. Store frequently printed forms, marketing materials or other documents online, then print them on demand.



Background and Idle Screen

Change the touch screen background to your corporate logo, a unique message, or select one of the four screens that are preloaded on the device.



Eco-Settings

Choose from multiple print settings that help reduce energy, paper and toner consumption.



Change Language**

Easily switch the language displayed on the touch screen – 18 languages supported.



Showroom

Display a customizable, scrolling slideshow on the color touch screen to promote your business or products, or to communicate important messages to your customers or employees.

* Source: InfoTrends/CapVentures, Network Document Solutions Forecast 2007-2012, Network Document Solutions Consulting Service, August 2008

** Opt-in to Change Language during installation

Lexmark C925de: highlights

Make a lasting impression with award-winning color

The documents you print define an important image – yours. That's why Lexmark color printers help businesses be more productive and stand out with vibrant color. With the ability to print professional quality color in-house, you can add instant impact and save costs by virtually eliminating the need to outsource print jobs. Lexmark also offers a host of color-access and control tools to manage costs.



Functions



The right touch

The Lexmark e-Task color touch screen is a key access point to your printer. The customizable 4.3-inch interface gives you the ability to preview thumbnails of documents prior to printing, as well as change print jobs at the device. You can even view, select and print specific pages within a document directly from the touch screen. Its easy-to-use, intuitive navigation provides fast access to the functions, shortcuts and workflows you use most. New interactive sensory features provide audible feedback, helping to guide you through each operation, confirming a touch has registered and indicating an action is transpiring.



Protecting your information

From the data traveling through your network to the pages being printed, Lexmark's innovative security controls give you peace of mind that your valuable corporate data is protected at every stage.

- Cutting-edge user authentication and authorization controls, including LDAP, help protect your device and data
- Card reader option to add an extra layer of security
- Hard disk encryption, protecting sensitive data on the disk drive (hard disk optional)
- Automatic, scheduled or manual disk wiping (hard disk optional)
- IPSec, SNMPv3 and 802.1x network security supported
- Security-audit logging to help track and identify security risks

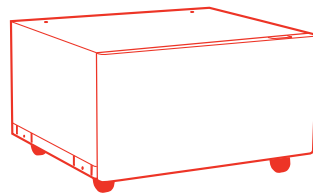
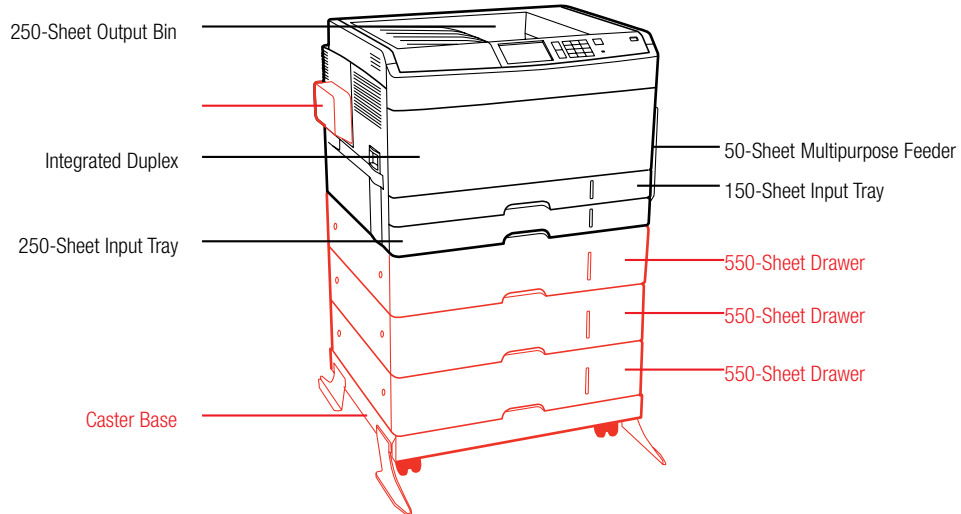


True Image Always

Lexmark is dedicated to designing and manufacturing products that deliver exceptional quality and reliable performance. Maximize the return on your investment, extend the service life of your Lexmark printing equipment, and make a lasting impression by always insisting on Lexmark Genuine Supplies, Service and Parts. The Lexmark C925de color printer is backed by a one-year base warranty. For further protection against unexpected expenses or downtime, extended warranty offerings are available.

Lexmark C925de: ordering information

Lexmark C925de



Cabinet with casters + (Use only one 550-Sheet Drawer)

Standard
Optional



Eco-responsible printing

Printing responsibly means everyone wins – your business, your budget and the environment. Lexmark's award-winning products are designed for ease of use, high quality output and reliable performance, with innovative capabilities that help you minimize the number of cartridges you use over the life of the printer and conserve paper and energy. Our goal is to design, package and deliver innovative products and solutions in an environmentally responsible manner.