



PRINT



UP TO 25 PPM COLOR



UP TO 25 PPM BLACK



DUPLEX



NETWORK



Lexmark C540 Series

Lexmark C540n

Lexmark C543dn

Lexmark C544 models

Small and smart design,
big-business color!



LEXMARKTM

Print Less. Save More.

Print less? This may seem like a surprising message for a company dedicated solely to printing. But when you consider that businesses spend, on average, up to 6% of their revenue on printing and that active print management can cut office print costs by up to 30%¹, it makes a lot of sense. Lexmark products, solutions and services provide innovative ways to save you time, drive down costs and reduce your impact on the environment. We are committed to helping you print less and save more.

¹Source: InfoTrends/CapVentures, Network Document Solutions Forecast 2007-2012, Network Document Solutions Consulting Service, August 2008

Ultra-compact and very quiet, the Lexmark C540 Series offers you true 1200 x 1200 dpi color printing to energize your business documents plus rapid print speeds as fast as 25 ppm in both black and color. What's more, it comes with the Lexmark Lifetime Pricing Guarantee. Lexmark guarantees, for as long as you own your printer, not to increase the price* of toner cartridges for your Lexmark C540 Series printer. Save even more when you enroll in Lexmark Rewards!

* U.S. dollar price only listed on www.lexmark.com. Other currency prices listed subject to currency fluctuation based on the U.S. dollar. This guarantee does not apply to dealer and/or distributor pricing. Lexmark reserves the right to discontinue selling these toner cartridges any time after it discontinues service support for this printer.



Convenience by your side

Make a big impact on your business with a color printer that is genuinely desktop-friendly. With their small, attractive new design and quiet noise level, Lexmark's new color lasers will be welcome additions to your desktop or small workgroup.

- Exceptionally tiny footprint and low profile
- As quiet as 47 dBA while printing; reduce sound even more with Quiet Mode
- Sleek, innovative desktop-friendly design
- Built-in networking on all models to share the benefits of color



Reap the benefits of productivity

Lexmark's C540 Series gives you a rapid first-page-out and races through your print runs at blazing speeds. What's more, these printers offer you the versatility you need to keep up with your demanding office printing needs.

- First page out as fast as 11 seconds with instant warm-up fuser
- PCL 6 and PostScript 3 emulations ensure compatibility with your application software
- Duplex printing models, now available at an attractive price
- 100-sheet multipurpose feeder and 550-sheet main tray are combined in one unique Duo Drawer option



Brighten up your business and your image

Add professional color to your documents. Lexmark gives you the tools to control color output and puts its color expertise to work for you, so all your brochures, reports and graphics come out vivid and accurate to the finest details.

- Vibrant print quality: true 1200 x 1200 dpi resolution
- New generation Lexmark toner for color quality and consistency
- Consistent color tones with professional Pantone calibration
- Color-control tools: coverage estimator and ColorSaver™ mode
- Lexmark High Yield and Extra High Yield Toner Cartridges cut printing costs to a minimum



Eco-responsible printing

Printing responsibly means everyone wins – your business, your budget and the environment! Lexmark's C540 Series is eco-designed and comes with a vast range of features to help you print greener at every level.

- Paper-saving built-in duplex printing models available
- Eco-Mode reduces power consumption
- Lets you print multiple pages per sheet
- Instant warm-up fuser saves energy
- Lexmark Cartridge Collection Program for leading-edge recycling



Simplicity in a snapshot!



Easy access
Easy-to-load toner cartridges take just seconds to replace



Intuitive management
Manage configuration settings via control panel, Web interface or Lexmark network-management tools (MarkVision Professional)



PC-free printing
Print image files directly from a USB flash drive or PictBridge enabled camera



Simple sharing
Very easy to set up and share with built-in network printing (wireless model also available)



Lexmark Rewards Green looks good on you!

Purchase a Lexmark C540 Series color laser printer and you can save up to 20 percent of the total cost of supplies while you help save the planet. It's easy with Lexmark Rewards.

Lexmark Rewards gives you free high-yield toner cartridges and imaging kits simply for using genuine Lexmark toner and returning your empty cartridges to Lexmark for recycling – you'll earn two rewards points just for signing up and an additional point for each cartridge return. For every 10 points earned Lexmark will send you a free high-yield toner cartridge, and when it's time to replace your imaging kit we'll send you one of those free too.

Learn more
www.LexmarkRewards.com

Get exactly the performance you need



Lexmark C540n

A great color value for your small office

- Up to 21 ppm printing in black and color
- Rapid first-page-out
- High-speed USB 2.0 and Fast Ethernet
- PCL 6 and PostScript 3 emulations
- True 1200 x 1200 dpi color print quality
- Optional Duo Drawer expands input capacity and includes a multipurpose feeder
- Lexmark High Yield Toner Cartridges available
- Recommended monthly volume: 500 to 1,500 pages



Lexmark C543dn

All the features of the Lexmark C540n plus:

- Built-in duplex for two-sided printing
- Ships with up to 2,500*-page black and 2,000*-page color Return Program Toner Cartridges



Lexmark C544 models

Fully loaded color performance for your workgroup

- Fast printing up to 25 ppm in black and color
- Lexmark Extra High Yield Toner Cartridges available (6,000*-page black, 4,000*-page color)
- Direct USB port for walk-up printing
- Recommended monthly volume: 800 to 3,000 pages

Configurations available: Lexmark C544n, Lexmark C544dn, Lexmark C544dtn, Lexmark C544dw

	Lexmark C540n	Lexmark C543dn	Lexmark C544n
Printing			
Print Technology	Color Laser		
Print Speed (Letter, Black): Up to	21 ppm	21 ppm	25 ppm
Print Speed (Letter, Color): Up to	21 ppm	21 ppm	25 ppm
Time to First Page (Black)	As fast as 12 seconds	As fast as 12 seconds	As fast as 11 seconds
Time to First Page (Color)	As fast as 13 seconds	As fast as 13 seconds	As fast as 12 seconds
Print Resolution, Black	1200 x 1200 dpi, 4800 Color Quality (1200 x 600 dpi)		
Print Resolution, Color	1200 x 1200 dpi, 4800 Color Quality (1200 x 600 dpi)		
Memory, Standard	128 MB		
Memory, Maximum	640 MB		
Print Noise Level, Operating	47 dBA	47 dBA	49 dBA
Noise Level, Idle	inaudible dBA		
Maximum Monthly Duty Cycle: Up to	35000 pages per month	35000 pages per month	55000 pages per month
Recommended Monthly Page Volume	500 - 1500 pages	500 - 1500 pages	800 - 3000 pages
Supplies			
Supplies Yield (*Average continuous black or continuous composite CMY declared cartridge yield up to this number of standard pages in accordance with ISO/IEC 19798.)	1,000*-page Color Toner Cartridges (CMY), 2,000*-page Color High Yield Toner Cartridges (CMY), 2,500*-page Black High Yield Toner Cartridge, 1,000*-page Black Toner Cartridge	1,000*-page Color Toner Cartridges (CMY), 2,000*-page Color High Yield Toner Cartridges (CMY), 2,500*-page Black High Yield Toner Cartridge, 1,000*-page Black Toner Cartridge	1,000*-page Color Toner Cartridges (CMY), 2,000*-page Color High Yield Toner Cartridges (CMY), 4,000*-page Color Extra High Yield Toner Cartridges (CMY), 2,500*-page Black High Yield Toner Cartridge, 6,000*-page Black Extra High Yield Toner Cartridge, 1,000*-page Black Toner Cartridge
Cartridge(s) Shipping with Product	1,000*-page Black Return Program Toner Cartridge, 1,000*-page Color (CMY) Return Program Toner Cartridges	2,500*-page Black Return Program Toner Cartridge, 2,000*-page Color (CMY) Return Program Toner Cartridges	2,500*-page Black Return Program Toner Cartridge, 2,000*-page Color (CMY) Return Program Toner Cartridges
Paper Handling			
Paper Handling Standard	100-Sheet Output Bin, Single Sheet Manual Feed, 250-Sheet Input Tray	100-Sheet Output Bin, Integrated Duplex, Single Sheet Manual Feed, 250-Sheet Input Tray	100-Sheet Output Bin, Single Sheet Manual Feed, 250-Sheet Input Tray
Paper Handling Optional	550-Sheet Duo Drawer with 100-Sheet Feeder		
Paper Input Capacity, Standard	250+1 pages 20 lb or 75 gsm bond		
Paper Input Capacity, Maximum	900 +1 pages 20 lb or 75 gsm bond		
Paper Output Capacity, Standard	100 pages 20 lb or 75 gsm bond		
Paper Output Capacity, Maximum	100 pages 20 lb or 75 gsm bond		
Media Types Supported	Card Stock, Paper Labels, Plain Paper, Transparencies, Refer to the Card Stock & Label Guide		
Media Sizes Supported	A4, A5, Executive, Folio, JIS-B5, Legal, Letter, Universal, Oficio		
Compatibility			
Network Protocol Support	TCP/IP IPv4, AppleTalk™, TCP/IP IPv6, TCP, UDP		
Printer Languages (Standard)	PCL 5c Emulation, PCL 6 Emulation, PostScript 3 Emulation	PCL 5c Emulation, PCL 6 Emulation, PostScript 3 Emulation	PCL 5c Emulation, PCL 6 Emulation, Personal Printer Data Stream (PPDS), PostScript 3 Emulation, PDF 1.6, Direct Image
Standard Ports	Ethernet 10/100BaseTX (RJ-45), USB 2.0 Specification Hi-Speed Certified	Ethernet 10/100BaseTX (RJ-45), USB 2.0 Specification Hi-Speed Certified	Ethernet 10/100BaseTX (RJ-45), USB 2.0 Specification Hi-Speed Certified, PictBridge Certified Port, Front USB port Compatible with USB 2.0 Specification (Type A)
Microsoft Windows Operating Systems Supported	2000, XP, Server 2003, XP x64, Server 2003 running Terminal Services, 2000 Server running Terminal Services, Server 2003 x64, Server 2003 x64 running Terminal Services, Vista, Vista x64, Server 2008, Server 2008 x64, Server 2008 running Terminal Services, Server 2008 x64 running Terminal Services		
Apple Macintosh Operating Systems Supported	Mac OS X, Mac OS 9.x		
General			
Product Warranty	1-Year Exchange Service, Next Business Day		
Product Certifications	www.lexmark.com		
Size (in. - H x W x D)	11.5 x 16.7 x 15.7 in.		
Weight (lb.)	46.2 lb.		
Specified Operating Environment	Temperature: 16 to 32°C (60 to 90°F), Humidity: 8 to 80% Relative Humidity, Altitude: 0 - 3048 Meters (10,000 Feet)		

Maximum Monthly Duty Cycle

«Maximum Monthly Duty Cycle» is defined as the maximum number of pages a device could deliver in a month. This metric provides a comparison of robustness in relation to other Lexmark printers and MFPs.

Recommended Monthly Page Volume

«Recommended Monthly Page Volume» is a range of pages that helps customers evaluate Lexmark's product offerings based on the average number of pages customers plan to print on the device each month. Lexmark recommends that the number of pages per month be within the stated range for optimum device performance, based on factors including: supplies replacement intervals, paper loading intervals, speed, and typical customer usage.

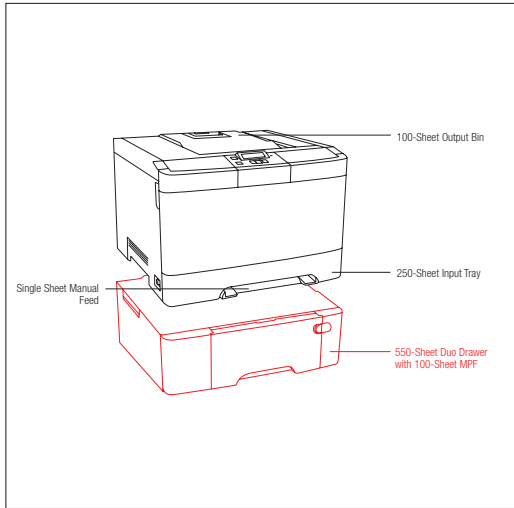
License/Agreement Terms

Printers are sold subject to certain license/agreement conditions. See www.lexmark.com/printerlicense for details.

Trademarks

Lexmark and Lexmark with the diamond design are trademarks of Lexmark International, Inc., registered in the United States and/or other countries. All other trademarks are the property of their respective owners. PCL is a registered trademark of Hewlett-Packard Company. AppleTalk, Mac and Macintosh are trademarks of Apple Computer, Inc., registered in the United States and other countries. MarkNet and MarkVision are trademarks of Lexmark International, Inc., registered in the United States and/or other countries. The USB-IF logos are trademarks of Universal Serial Bus Implementers Forum, Inc. ENERGY STAR® is a U.S. registered mark. Microsoft, Windows, the Windows logo, Windows Vista, and the Windows Vista logo are trademarks or registered trademarks of Microsoft Corporation in the United States and/or other countries. Citrix, MetaFrame and MetaFrame XP are registered trademarks or trademarks of Citrix Systems, Inc. in the U.S. and other countries. Information in this document is subject to change without notice.

Lexmark C540n



■ Paper Handling Standard
 ■ Paper Handling Optional

Part #	Model
26A0000	Lexmark C540n
Part #	Laser Toner/Print Cartridge
C540H1KG	Black High Yield Return Program Toner Cartridge
C540H1CG	Cyan High Yield Return Program Toner Cartridge
C540H1MG	Magenta High Yield Return Program Toner Cartridge
C540H1YG	Yellow High Yield Return Program Toner Cartridge
C540A1KG	Black Return Program Toner Cartridge
C540A1CG	Cyan Return Program Toner Cartridge
C540A1MG	Magenta Return Program Toner Cartridge
C540A1YG	Yellow Return Program Toner Cartridge
C540H2KG	Black High Yield Toner Cartridge
C540H2CG	Cyan High Yield Toner Cartridge
C540H2MG	Magenta High Yield Toner Cartridge
C540H2YG	Yellow High Yield Toner Cartridge
C540X75G	Waste Toner Bottle
C540X71G	Black Imaging Kit
C540X74G	Black and Color Imaging Kit

Part #	Paper & Transparencies
12A5950	Glossy Laser Paper, Letter (200 sheets)
12A8240	Professional Color Laser Transparencies, Letter

Part #	Paper Handling
3000551	550-Sheet Duo Drawer with 100-Sheet MPF

Part #	Memory Options
1022298	128MB DDR1-DRAM
1022299	256MB DDR1-DRAM
1022301	512MB DDR1-DRAM

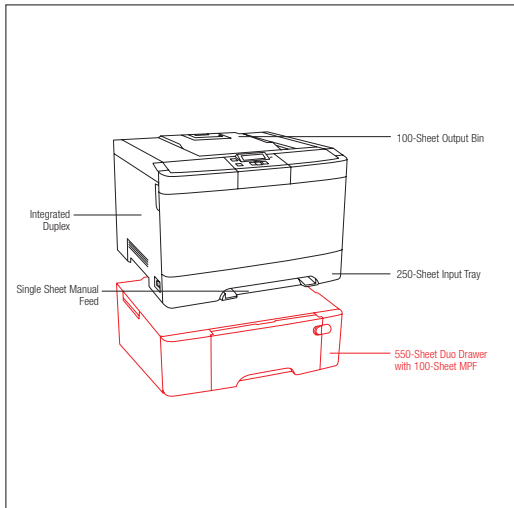
Part #	Connectivity
1021294	USB (2 Meter) Cable
14T0145	Lexmark N4050e 802.11g Wireless Print Server
14T0220	MarkNet™ N7020e Gigabit Ethernet Print Server

Part #	Extended Warranties
2350398	2-Years Total Exchange Service, Next Business Day
2350399	3-Years Total Exchange Service, Next Business Day
2350402	1-Year Exchange Service Renewal, Next Business Day
2350406	Upgrade to Onsite Service, Next Business Day
2350407	2-Years Total Onsite Service, Next Business Day
2350408	3-Years Total Onsite Service, Next Business Day
2350411	1-Year Onsite Service Renewal, Next Business Day

In the box

Lexmark C540n Color Laser Printer, up to 1,000*-page color (CMY) Return Program Toner Cartridges, up to 1,000*-page black Return Program Toner Cartridge, software and documentation CD, power cord(s), setup guides (network and local attachment), Statement of Limited Warranty, Lexmark Rewards brochure, Lexmark Cartridge Collection Program information

Lexmark C543dn



■ Paper Handling Standard
 ■ Paper Handling Optional

Part #	Model
26B0000	Lexmark C543dn

Part #	Laser Toner/Print Cartridge
C540H1KG	Black High Yield Return Program Toner Cartridge
C540H1CG	Cyan High Yield Return Program Toner Cartridge
C540H1MG	Magenta High Yield Return Program Toner Cartridge
C540H1YG	Yellow High Yield Return Program Toner Cartridge
C540A1KG	Black Return Program Toner Cartridge
C540A1CG	Cyan Return Program Toner Cartridge
C540A1MG	Magenta Return Program Toner Cartridge
C540A1YG	Yellow Return Program Toner Cartridge
C540H2KG	Black High Yield Toner Cartridge
C540H2CG	Cyan High Yield Toner Cartridge
C540H2MG	Magenta High Yield Toner Cartridge
C540H2YG	Yellow High Yield Toner Cartridge
C540X75G	Waste Toner Bottle
C540X71G	Black Imaging Kit
C540X74G	Black and Color Imaging Kit

Part #	Paper & Transparencies
12A5950	Glossy Laser Paper, Letter (200 sheets)
12A8240	Professional Color Laser Transparencies, Letter

Part #	Paper Handling
3000551	550-Sheet Duo Drawer with 100-Sheet MPF

Part #	Memory Options
1022298	128MB DDR1-DRAM
1022299	256MB DDR1-DRAM
1022301	512MB DDR1-DRAM

Part #	Connectivity
1021294	USB (2 Meter) Cable
14T0145	Lexmark N4050e 802.11g Wireless Print Server
14T0220	MarkNet™ N7020e Gigabit Ethernet Print Server

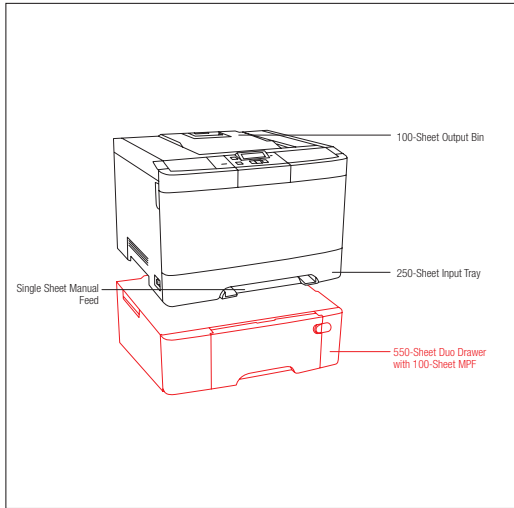
Part #	Extended Warranties
2350433	2-Years Total Exchange Service, Next Business Day
2350434	3-Years Total Exchange Service, Next Business Day
2350435	4-Years Total Exchange Service, Next Business Day
2350437	1-Year Exchange Service Renewal, Next Business Day
2350441	Upgrade to Onsite Service, Next Business Day
2350442	2-Years Total Onsite Service, Next Business Day
2350443	3-Years Total Onsite Service, Next Business Day

2350444	4-Years Total Onsite Service, Next Business Day
2350446	1-Year Onsite Service Renewal, Next Business Day

In the box

Lexmark C543dn Color Laser Printer, up to 2,000*-page color (CMY) Return Program Toner Cartridges, up to 2,500*-page black Return Program Toner Cartridge, software and documentation CD, power cord(s), setup guides (network and local attachment), Statement of Limited Warranty, Lexmark Rewards brochure, Lexmark Cartridge Collection Program information

Lexmark C544n



■ Paper Handling Standard
■ Paper Handling Optional

Part #	Model
26C0050	Lexmark C544n

Part #	Laser Toner/Print Cartridge
C544X1KG	Black Extra High Yield Return Program Toner Cartridge
C544X1CG	Cyan Extra High Yield Return Program Toner Cartridge
C544X1MG	Magenta Extra High Yield Return Program Toner
C544X1YG	Yellow Extra High Yield Return Program Toner
C540H1KG	Black High Yield Return Program Toner Cartridge
C540H1CG	Cyan High Yield Return Program Toner Cartridge
C540H1MG	Magenta High Yield Return Program Toner Cartridge
C540H1YG	Yellow High Yield Return Program Toner Cartridge
C540A1KG	Black Return Program Toner Cartridge
C540A1CG	Cyan Return Program Toner Cartridge
C540A1MG	Magenta Return Program Toner Cartridge
C540A1YG	Yellow Return Program Toner Cartridge
C544X2KG	Black Extra High Yield Toner Cartridge
C544X2CG	Cyan Extra High Yield Toner Cartridge
C544X2MG	Magenta Extra High Yield Toner Cartridge
C544X2YG	Yellow Extra High Yield Toner Cartridge
C540H2KG	Black High Yield Toner Cartridge
C540H2CG	Cyan High Yield Toner Cartridge
C540H2MG	Magenta High Yield Toner Cartridge
C540H2YG	Yellow High Yield Toner Cartridge
C540X75G	Waste Toner Bottle
C540X71G	Black Imaging Kit
C540X74G	Black and Color Imaging Kit

Part #	Paper & Transparencies
12A5950	Glossy Laser Paper, Letter (200 sheets)
12A8240	Professional Color Laser Transparencies, Letter

Part #	Paper Handling
3000551	550-Sheet Duo Drawer with 100-Sheet MPF

Part #	Memory Options
1022298	128MB DDR1-DRAM
1022299	256MB DDR1-DRAM
1022301	512MB DDR1-DRAM
1021209	64MB Flash Card
30G0828	Japanese Font Card
30G0825	Korean Font Card

Part #	Connectivity
1021294	USB (2 Meter) Cable

14T0145	Lexmark N4050e 802.11g Wireless Print Server
14T0220	MarkNet™ N7020e Gigabit Ethernet Print Server

Part #	Extended Warranties
2350468	2-Years Total Exchange Service, Next Business Day
2350469	3-Years Total Exchange Service, Next Business Day
2350470	4-Years Total Exchange Service, Next Business Day
2350472	1-Year Exchange Service Renewal, Next Business Day
2350476	Upgrade to Onsite Service, Next Business Day
2350477	2-Years Total Onsite Service, Next Business Day
2350478	3-Years Total Onsite Service, Next Business Day
2350479	4-Years Total Onsite Service, Next Business Day
2350481	1-Year Onsite Service Renewal, Next Business Day

Models available

Lexmark C544n: Network ready, Part #26C0050
 Lexmark C544dn: Network ready plus duplex, Part #26C0000
 Lexmark C544dtn: Network ready plus duplex with extra input drawer, Part #26C0100
 Lexmark C544dwr: Duplex with built-in wireless, Part #26C0150

In the box

Lexmark C544n Color Laser Printer, up to 2,000*-page color (CMY) Return Program Toner Cartridges, up to 2,500*-page black Return Program Toner Cartridge, software and documentation CD, power cord(s), setup guides (network and local attachment), Statement of Limited Warranty, Lexmark Rewards brochure, Lexmark Cartridge Collection Program information

Lexmark's guarantee to you

At Lexmark, we're always working hard to ensure you achieve maximum productivity and minimum downtime. For greater level of peace of mind, you can opt for one of our Lexmark service offerings detailed on www.lexmark.com/services.



Environmental commitment

Lexmark believes that the environment is a critical component of responsible business management and clearly demonstrates it by implementing the "4R" strategy: Reduce, Recover, Reuse and Recycle. To learn more about these programs please visit www.lexmark.com/recycle.

Cost-saving and environmental features

- Energy Star compliant
- Duplex printing, Print and Hold (verify print), multi-up printing and support for recycled paper help reduce paper consumption.
- Selectable toner-saving modes help reduce the amount of toner used on a page.
- Lexmark Cartridge Collection Program and end-of-life product recycling help reduce waste.

