



Flat screen wall mount | tilt **TH-2040-VTR**  
 Fits most displays from 19" to 40"



Mounting hole pattern:  
 75mm x 75mm  
 100mm x 100mm  
 200mm x 100mm  
 200mm x 200mm



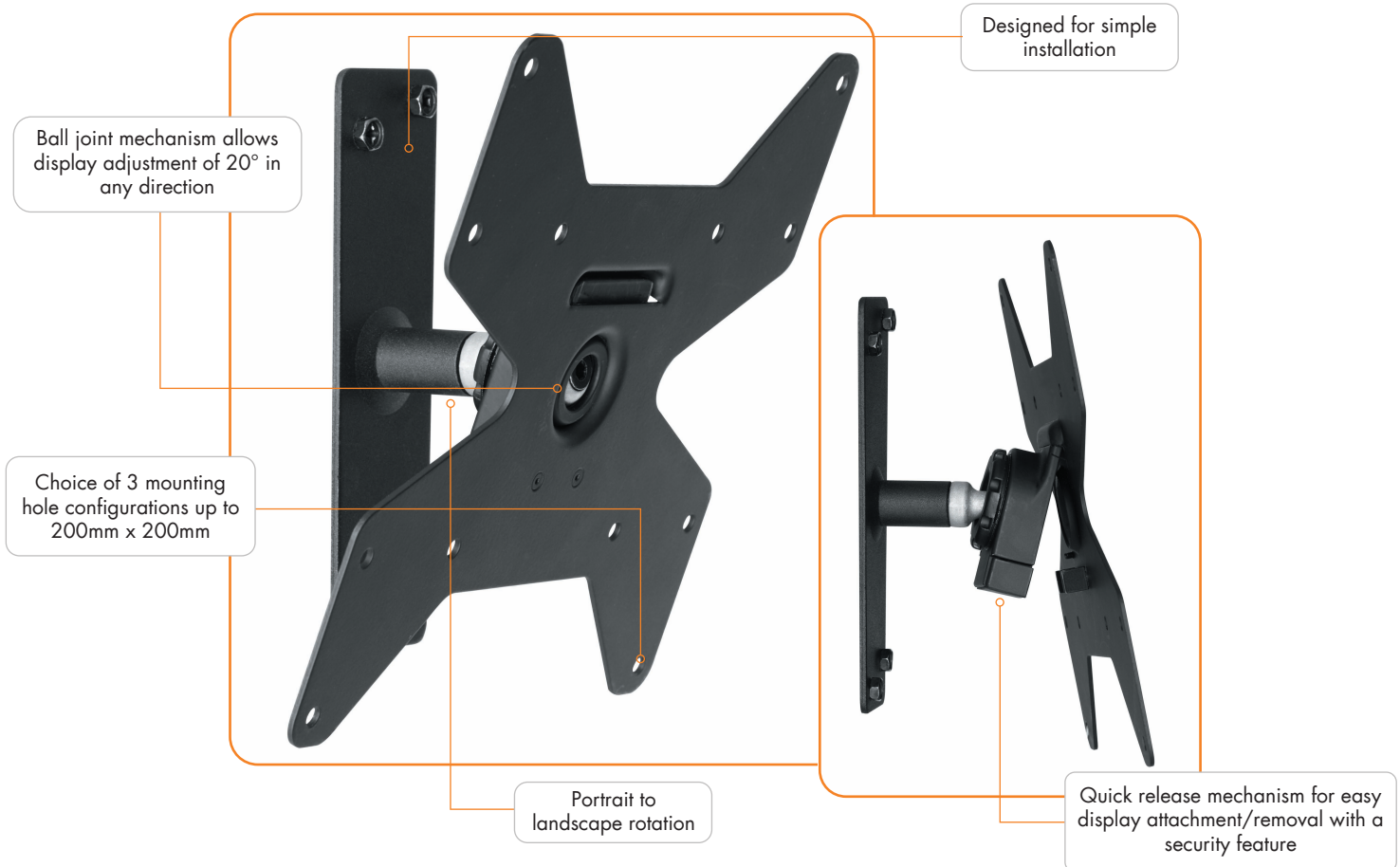
Maximum weight carrying capacity:  
 25kg (55lbs)

The TH-2040-VTR wall mount is designed with maximum screen adjustment and ease of installation in mind. It mounts screens up to 25kg (55lbs), holding the display just 77mm (3") from the wall. Visual impact can be maximised with easy to use adjustment features. These include a ball joint mechanism for infinite and effortless adjustment of viewing angles of 20 degrees in any direction, portrait to landscape rotation and a quick release mechanism for easy display removal/attachment. It comes pre-assembled, with an inbuilt security feature.



**Product key features:**

- Two-piece design for simple and easy installation
- Ball joint mechanism allows display infinite adjustment of 20° in any direction
- Portrait to landscape rotation
- Distance from wall: 77mm (3")
- Quick release mechanism for fast display attachment/removal with a security feature
- Comes with all mounting hardware for masonry and timber stud wall installation



Atdec North America [www.atdec.com](http://www.atdec.com)  
 Atdec Global [www.atdec.com.au](http://www.atdec.com.au)

## Product information, single unit

Load capacity	Material	Color
25kg (55lbs)	Steel/Aluminum	Black

## Package information, single unit

Size	Ship weight	UPC code	Contents
24cm x 22.6cm x 6.5cm (9.5" x 9" x 2.5")	1.3kg (2.8lbs)	881493005501	All hardware required for installation supplied

## Package information, master pack

Size	Ship weight	UPC	Units per master pack
49cm x 24cm x 35cm (19.5" x 9.75" x 13")	13.75kg (28.8lbs)	881493005518	10

## Technical drawings

