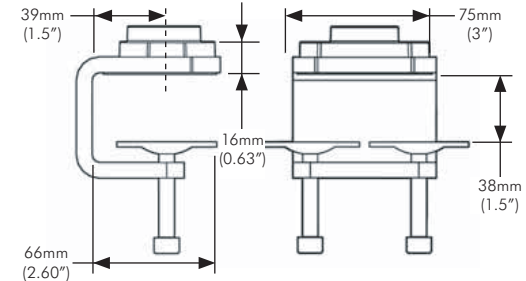


D Desk Mounting Options

Desk Clamp

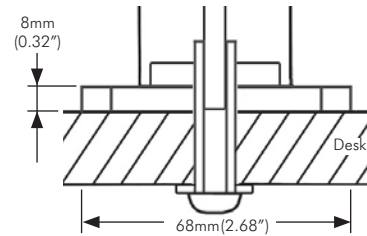
Suits desk thicknesses of 12mm to 38mm (0.5" to 1.5")



NOTE: Desk Clamp requires min. 66mm (2.60") of desk overhang

Bolt Through

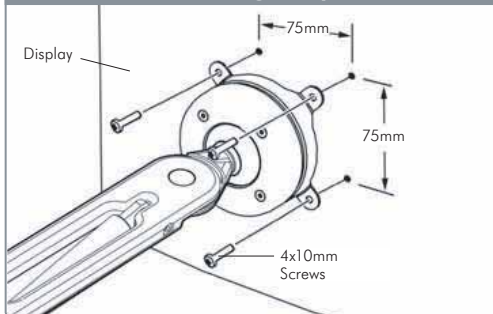
Suits desk thicknesses of 12mm to 40mm (0.5" to 1.5")



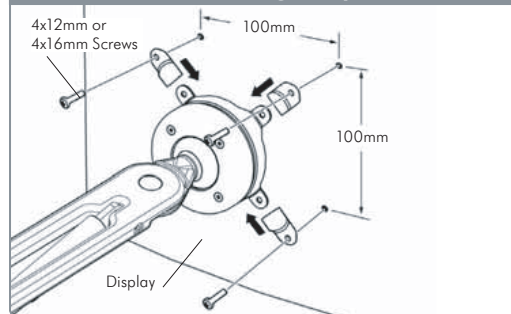
E Display Mounting Options

Suits 75mm x 75mm and 100mm x 100mm mounting hole patterns.

75mm x 75mm mounting hole pattern

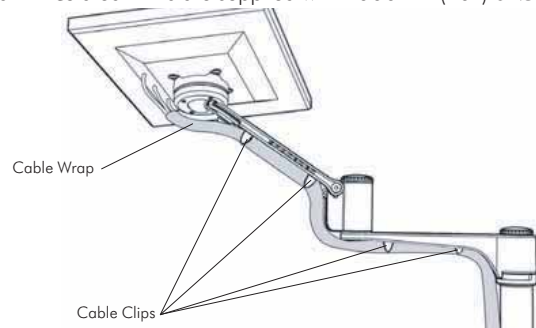


100mm x 100mm mounting hole pattern



F Cable Management

All Spacedec Acrobat Articulated Arms are supplied with 1000mm (40") of Ø16mm (0.63") black Cable Wrap.



As LCD Manufacturers are constantly releasing new monitor models, Atdec does not accept responsibility if the mounting hole pattern does not comply with the international VESA standards. Due to continuing product development, the manufacturer reserves the right to alter specifications without notice.

Published: 11.04.11



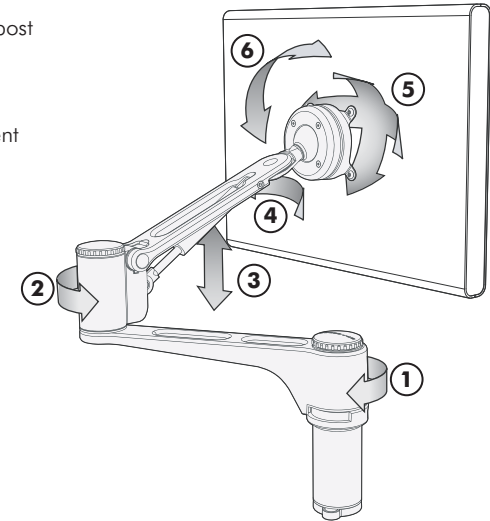
Technical Specifications SPACEDEC ACROBAT

ARTICULATED ARM

NOTE: The following information is based on a Spacedec Acrobat Articulated Arm with the standard 350mm arm set at the 6kg gas strut setting.
For technical information regarding Spacedec Acrobat's optional extras please refer to "Technical Specifications - Spacedec Acrobat Optional Extras" at atdec.com

A General Features

- ① Arm swings 180° around mounting post
- ② 360° rotation
- ③ Up to 460mm (18") height adjustment
- ④ Pivot head pans 85°
- ⑤ ±40° tilt, ±40° pan
- ⑥ Portrait/Landscape rotation



Display Compatibility:

Spacedec Acrobat is compatible with most LCD displays that use the VESA international mounting standard. Please refer to the VESA Compliance List on the Atdec website to view all compatible LCD models (atdec.com)

Display Weight Compatibility:

3kg to 9kg (6.6lbs to 19.8lbs)

Desk Mounting Options:

Bolt Through (included in package) - Suits desktop thicknesses of 12mm to 40mm (0.5" to 1.5")
Desk Clamp (included in package) - Suits desktop thicknesses of 12mm to 38mm (0.5" to 1.5")

Display Mounting Options:

Suits 75mm x 75mm and 100mm x 100mm mounting hole patterns

Cable Management:

Cable Clips and Cable Wrap (included in package)

Colours:

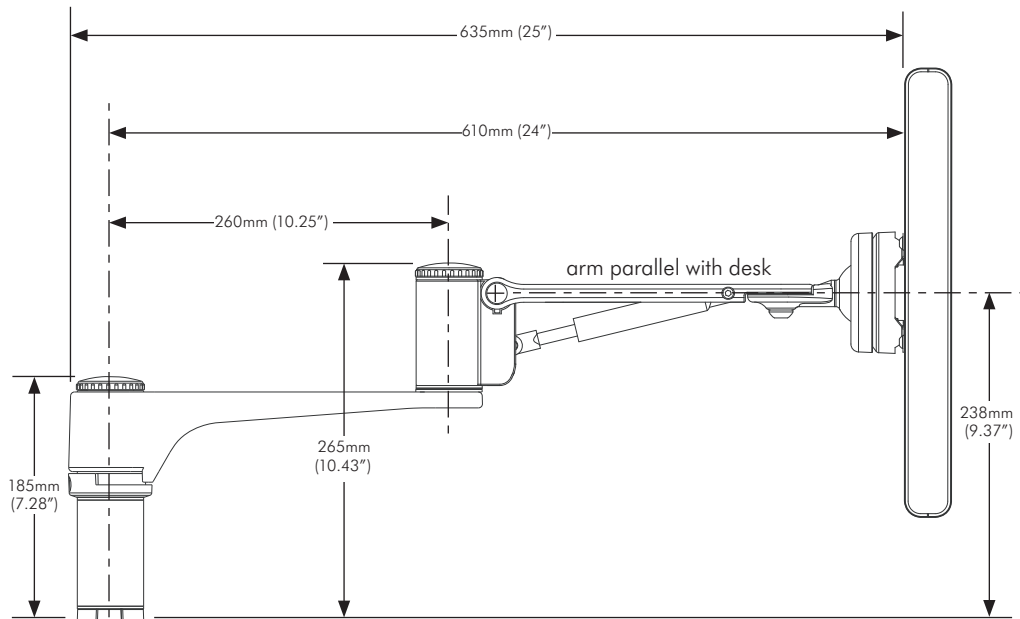
Polished Aluminum, Silver or Black.

Warranty:

5 years limited

B Overall Dimensions

Side View



C Range of Movement

