

spacedec®

Spacedec Freestanding | Hex SD-FS-H



Mounting hole pattern:
75mm x 75mm;
100mm x 100mm
200 x 100mm (via optional adaptor plate
AC-AP-2010; sold separately)



Maximum weight carrying capacity:
6 displays up to 8kgs (17.5lbs) each

The Spacedec SD-FS-H is designed to mount six 24" 8kg monitors on either a freestanding low footprint base or via a bolt through mounting option (both included). It has been designed for quick and easy installation and set up. The SD-FS-H is an extremely durable mounting solution featuring a curved "cockpit" style configuration which provides superior ergonomic viewing and no-fuss, space saving operation. This fully adjustable and robust product is ideal for multi-screen users, particularly in commercial and "onsite" environments. Monitor height, tilt, pan and landscape to portrait rotation can be easily adjusted. This product also features outstanding cable management for neatly and safely housing up to 12 x 8mm diameter cables.



Product key features:

- ◆ Strong steel and aluminium construction
- ◆ Easily accommodates up to six 24" monitors (each up to 635mm wide in a landscape configuration)
- ◆ Independent monitor position adjustment allows for a combination of variable screen sizes
- ◆ Bolt Through and Freestanding base mounting options (both included)
- ◆ Integrated cable management
- ◆ All mounting hardware included



Curved rail configuration for improved viewing angle

Centre display quick release mechanism for easier assembly

Display height adjustment

20° tilt and 20° pan display adjustment. Portrait to landscape rotation

Display horizontal position adjustment

Small footprint to maximise working space

Choice of either Bolt Through or Freestanding mounting option, both included

Generous cable management for housing up to 12 x 8mm (0.3") cables



Atdec Global www.atdec.com.au
Atdec North America www.atdec.com

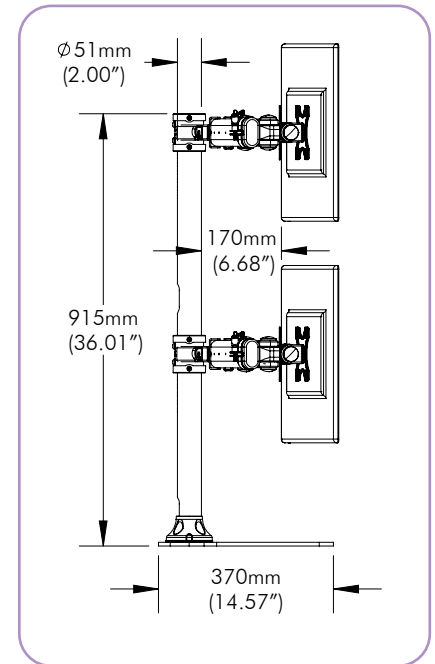
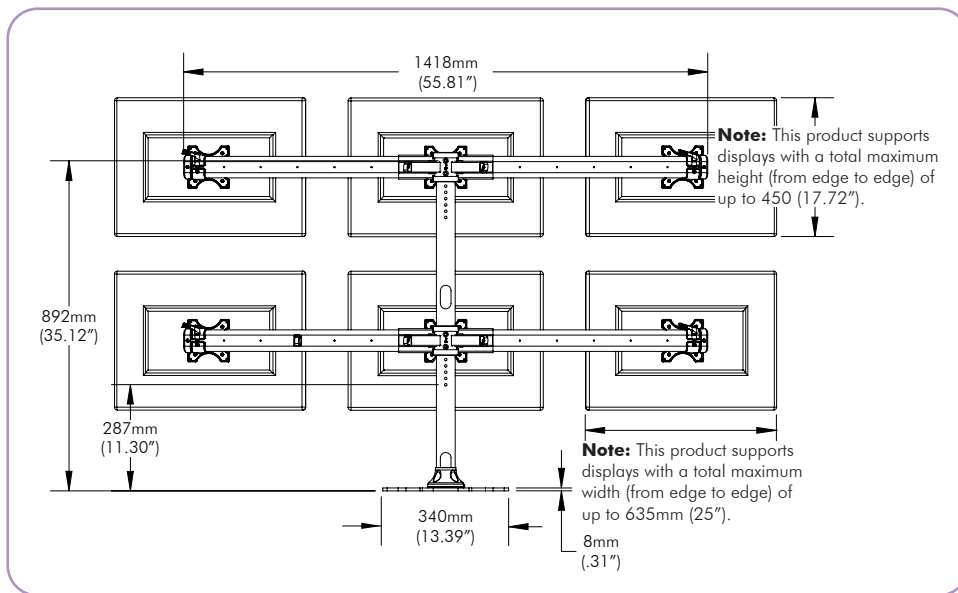
Product information

| Product Code | Load capacity | Material | Colour |
|--------------|---|----------------|--------|
| SD-FS-H | Max of 6 displays up to 8kgs (17.5lbs) each | Aluminum/Steel | Black |

Package information, single unit (this product is shipped in single units, no master pack)

| Size (L x W x H) | Ship weight | UPC code | Contents |
|--|----------------------|--------------|---|
| 92cm x 47.5cm x 15cm (36.22" x 18.70" x 5.9") | 24 kg (52.91 lbs) | 881493005143 | All hardware required for installation supplied |

Technical drawings



Mounting options

