

SP730P

SMARTMOUNT.

Pivot Wall Mount for 10"-29" Displays

Matching elements of easy installation and user-friendliness are found in this pivot mount. It boasts a low-profile wall plate design that easily attaches to the wall with only two screws. The pivot arm extends away from the wall with ease and closes back up to save space. The arm's multiple pivot points allow the display to swivel, tilt and roll for the perfect viewing angle adjustment and display leveling. Its fully integrated cable management system eliminates unsightly cable clutter and provides a safeguard for the cables. Designed and built in the USA, this mount maintains the same brilliant look as the entire SmartMount® 700 Series line of Articulating and Pivot Wall Arm Mounts.



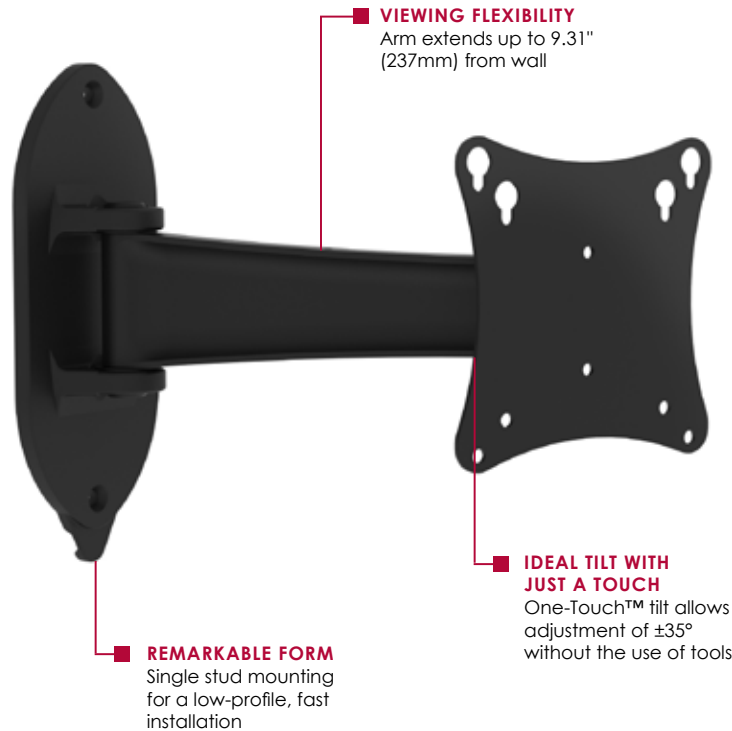
Display size: 10"-29"



Max load: 25lb (11kg)

FEATURES

- Compatible with 10" to 29" displays with mounting hole patterns of 75 x 75 and 100 x 100mm
- Display can be held as close to the wall as 2.44" (62mm) or be extended as far as 9.31" (237mm)
- Pre-tensioned tilt mechanism offers up to $\pm 35^\circ$ of One-Touch™ tilt
- $\pm 7^\circ$ of roll allow for post-installation leveling
- Display can be swiveled a full $\pm 45^\circ$ for obtaining ideal viewing direction
- Integrated cable management system makes running cables simple while keeping the cables protected
- UL Listed



Post-installation leveling



Cable management from the display to the wall plate for an organized, clean look



Patented. Design Patent No. D666,180; D631,038; D640,673; D633,484; D634,739; D643,835.
Utility Patent No. 8,028,964.

CLICK: peerless-av.com

CALL: 800.865.2112

FAX: 800.359.6500

peerless-AV®

SP730P	SmartMount® Pivot Wall Mount for 10"-29" Displays
---------------	---

Product Specifications

	DIMENSIONS (W x H x D)	PRODUCT WEIGHT	LOAD CAPACITY	FINISH	AVAILABLE COLORS
SP730P	10.77" x 8.06" x 2.44"-9.31" (274 x 205 x 62-237mm)	1.5 (.7kg)	25lb (11kg)	Scratch resistant fused epoxy	Gloss Black

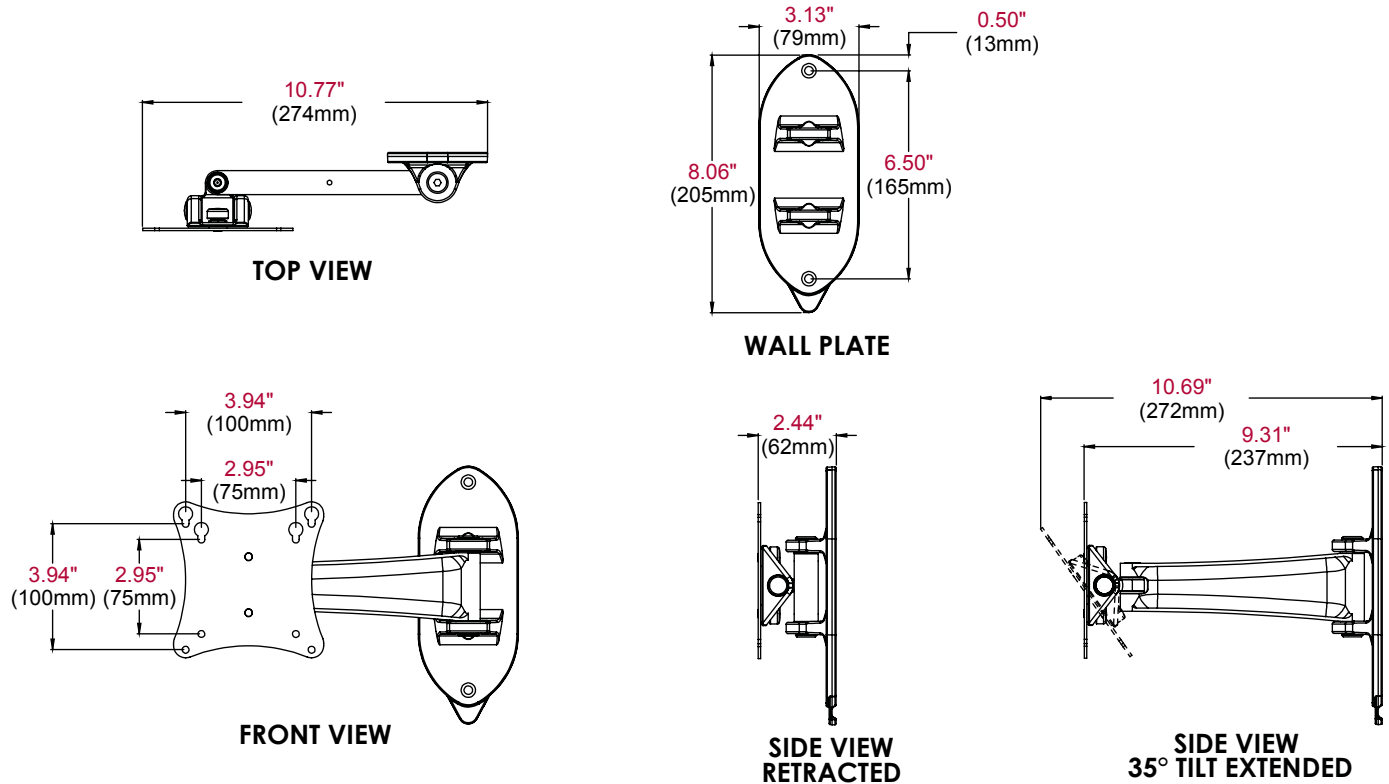
Package Specifications

	PACKAGE SIZE (W x H x D)	PACKAGE SHIP WEIGHT	PACKAGE UPC CODE	PACKAGE CONTENTS	UNITS IN PACKAGE
SP730P	8" x 4.33" x 4.33" (203 x 110 x 110mm)	2.76lb (1.2kg)	735029237365	Mount, display and wall attachment hardware, installation manual	1

Accessories

- ACC918:** Security Faseteners
- ACC215:** 2-pack Metal Stud Fastener Kit
- WSP700:** Metal Stud Wall Plate for 16" Center Metal Studs
- WSP701:** Metal Stud Wall Plate for 20" and 24" Center Metal Studs

All dimensions = inch (mm)



ARCHITECTS SPECIFICATIONS

The SmartMount® Pivot Wall Mount shall be a Peerless-AV model SP730P and shall be located where indicated on the plans. Assembly and installation shall be done according to instructions provided by the manufacturer. Mount is made of clear anodized aluminum and adapter bracket is made of steel with a scratch resistant epoxy silver finish.