

DST360



Display size
26"-60"



Max load
150lb (68kg)

Additional Features

- ✓ Ideal for wall or ceiling mounted applications
- ✓ Universal mounting in either portrait or landscape orientation
- ✓ Built-in swivel up to 360° allows for optimum viewing angle for ceiling mount applications only
- ✓ Flat and tilt wall mount functionality (up to 20° tilt)
- ✓ Available area within mount for housing a computer or media controller device 15" x 9" x 3" (381 x 229 x 76mm)
- ✓ Access panel opens to a full 20° for serviceability, replacement, repair or maintenance
- ✓ Clean profile design hides wiring and mount within enclosed wall plate
- ✓ Built in adaptor plate supports VESA® 100 x 100, 200 x 100, 200 x 200 and 300 x 300mm
- ✓ Works with all PLP-style VESA® mounting hole adaptor plates
- ✓ Includes hardware for installation to wood*** and metal**** studs, concrete or cinder block
 ***Mounts to single stud or 16" stud centers (wall application)
 ****Rated to 150lb (68kg) display max using dual metal stud, or 60lb (27.22kg) display max using single metal studs
- ✓ Security screws prevent tampering and theft

Flat/Tilt Wall or Ceiling Mount with Media Device Storage

FOR 26" TO 60" DISPLAYS

The DST360 offers a "single-box" solution to digital signage and public space flat panel installations. This versatile solution enables ceiling or wall mounting, providing plenty of space for a computer or media box storage. Designed for easy-assembly, this mount incorporates step-by-step installation instructions and a security option ensuring the display stays in place. Enhancing effectiveness of the mounted display, this product, when installed in a ceiling mounted application, incorporates a built-in swivel 360 degrees that positions the display at the perfect angle.

DST360's accessible design provides quick serviceability to your media device without removing the display.



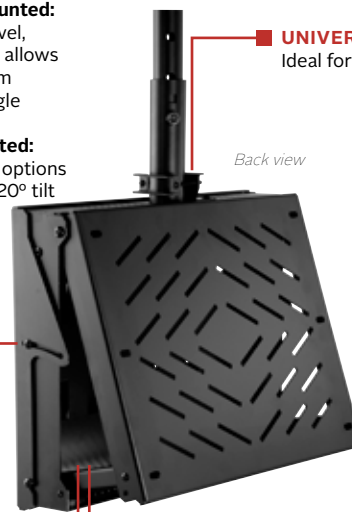
FLEXIBLE VIEWING

Ceiling mounted: built-in swivel, up to 360°, allows for optimum viewing angle

Wall mounted: flat and tilt options with up to 20° tilt

UNIVERSAL MOUNTING OPTIONS

Ideal for wall or ceiling installations



Back view



Front view (display attachment side)

MEDIA CONTROLLER HOUSING

Available area within mount for housing a computer or media controller device

CLEAN APPLICATION

Internal cable management delivers a clean, clutter-free side profile and rear view

SERVICE ACCESSIBILITY

Mount folds open 20° from the bottom for computer or media controller service access without removing the display



Media controller storage area within mount



Ceiling mounted side view with forward tilt



Built-in ventilation and cable management



DST360 Flat/Tilt Wall or Ceiling Mount with Media Device Storage

Product Specifications

	DIMENSIONS (W X H X D)	PRODUCT WEIGHT	LOAD CAPACITY	FINISH	AVAILABLE COLORS
DST360	18.63" x 15.27" x 4.28" (473 x 388 x 109mm)	31.5lb (14.29kg)	150lb (68kg)	Scratch resistant fused epoxy	Black

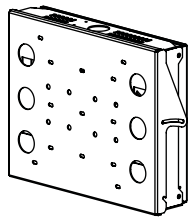
Package Specifications

	PACKAGE SIZE (W x H x D)	PACKAGE SHIP WEIGHT	PACKAGE UPC CODE	PACKAGE CONTENTS	UNITS IN PACKAGE
DST360	24.5" x 12.25" x 27.75" (622 x 311 x 705mm)	40.5lb (18.37kg)	735029264521	Computer/media player holder box, access plate, adaptor plate, fastener packet	1

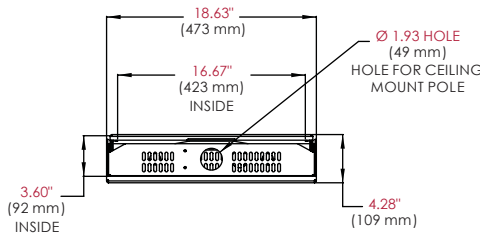
Accessories

Works with all PLP-style VESA® mounting hole adaptor plates
Works with any standard EXT, ADD, or ADJ extension columns and ceiling mounts (sold separately)

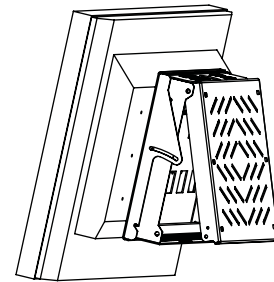
All dimensions = inch (mm)



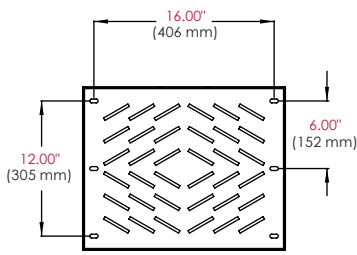
FRONT ISO VIEW



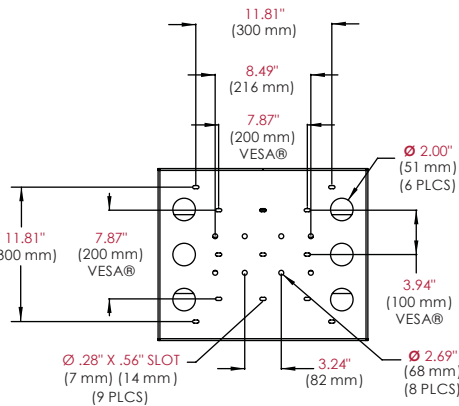
TOP VIEW



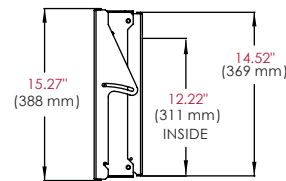
ACCESS ISO VIEW



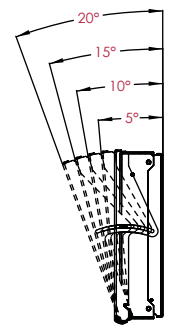
BACK VIEW



FRONT VIEW



RIGHT VIEW



TILTS RANGES VIEW

Architect Specifications

The Flat/Tilt Wall or Ceiling Mount with Media Device Storage shall be Peerless-AV model DST360 and shall be located where indicated on the plans. It shall be constructed of heavy gauge steel. The finish shall be scratch resistant black fused epoxy. Assembly and installation shall be done according to instructions provided by the manufacturer.

Visit peerless-av.com to see the complete line of AV solutions from Peerless-AV, including outdoor displays, wireless, kiosks, digital audio, display mounts, projector mounts, carts/stands, and a full assortment of accessories.

Peerless-AV
2300 White Oak Circle
Aurora, IL 60502 USA

(800) 865-2112
(630) 375-5100
Fax: (800) 359-6500

Peerless-AV Europe
Unit 3 Watford Interchange
Colonial Way, Watford
Herts, WD24 4WP
United Kingdom
+44 (0) 1923 200100
Fax: +44 (0) 1923 200101

Peerless-AV de México
Ave de las Industrias 413
Parque Industrial Escobedo
Escobedo, N.L.,
Mexico 66050
+52 (81) 8384-8300
Fax: +52 (81) 8384-8360

