

24" CLASS (24.0" DIAGONAL)

W2442PA-BF

LCD
MONITOR

LCD Widescreen Full HD Capable Monitor



PERSONAL HIGH DEFINITION

HD can now be a possibility for your desktop. Connect LG's W2442PA-BF to a Blu-ray player or a high definition game console via HDMI™. Experience stunning, life like images with full HD resolution, an innovative DFC 10,000:1 contrast ratio and a maximum resolution of 1920 x 1080. The LG W2442PA-BF is your personal choice for high definition.

1920 X 1080 MAXIMUM RESOLUTION
1080p (thru hdmi input)

INNOVATIVE DFC 10,000:1 RATIO

RESPONSE TIME
2ms (G to G)

400 cd/m² HIGH BRIGHTNESS

170°/160° VIEWING ANGLE

TILT/SWIVEL/PIVOT/HEIGHT ADJUSTABLE

F-ENGINE™ INTEGRATED DIGITAL PICTURE SYSTEM

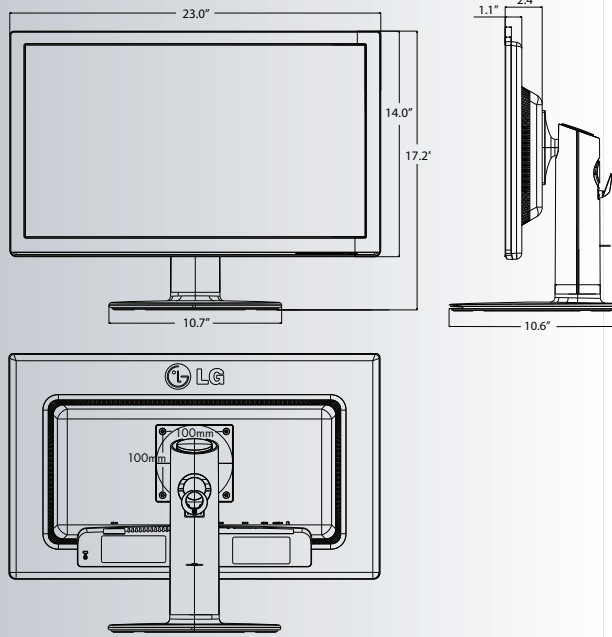
INPUT: D-SUB, DVI, HDMI™

WINDOWS VISTA™ CERTIFIED

3 YEAR LIMITED WARRANTY
(parts/labor/backlight)

www.LGcommercial.com





DIMENSIONS

SPECIFICATIONS

DISPLAY

LCD Panel Type	24" Widescreen
Display Area	24.0" diagonal
Color	Black
Pixel Pitch	0.277mm
Aspect Ratio	16:9
Maximum Resolution	1920 x 1080 (PC), 1080p (HDMI)
Brightness	300 cd/m ²
Contrast Ratio	DFC 10,000:1
Response Time	5ms (2ms G to G)
Viewing Angle (H/V)	170°/160°
Surface Treatment	Anti-Glare, Hard Coating (3H)

USER INTERFACE

PC Input	D-Sub
	DVI-D (with HDCP)
	HDMI
	PC Audio In
Audio Output	Headphone Out

SPEAKERS

Type	2 x 1 Watt
------	------------

POWER

Normal Usage	42W
Stand-by Usage	Under 1W

FREQUENCY

Analog/Digital	30-83kHz, 56-75Hz
----------------	-------------------

DIMENSIONS

Set w/Stand (W x H x D)	23.0" x 17.2" x 10.6" (582.2 x 437.5 x 269 mm)
Set w/o Stand (W x H x D)	23.0" x 14.0" x 2.4" (582.2 x 354 x 60.1 mm)
Box	25.4" x 16.1" x 8.7" (645 x 410 x 220 mm)

WEIGHT

Set w/Stand	13.67 lbs. (6.2 kg)
Set w/o Stand	10.36 lbs. (4.7 kg)
Box	17.86 lbs. (8.1 kg)

STAND

Tilt (angle) ~3° ~17°
Swivel (angle) 350°
Pivot (0~90°)
Height Adjustable (0 ~ 4.3")
Base Detachable

CERTIFICATIONS

Safety	UL (cUL), TUV-Type, SEMKO
EMC	FCC-B, CE
Environment	RoHS
Other	Windows Vista Premium Compatible
VESA™ MOUNTING	Yes, 100mm x 100mm

SPECIAL FEATURES

f-ENGINE
Menu (15 languages)
Intelligent Auto (Auto Resolution)
4:3 in wide
Forté Pivot
HDCP
sRGB
Plug & Play - DDC2B, DDC/CI

ACCESSORIES

Power Cord
D-Sub Cable
PC Audio Cable
No remote control

LIMITED WARRANTY

3 Years (parts/labor/backlight)
48 Hour Swap Program available
Call Toll-Free 1-800-243-0000

UPC CODE

7 19192 18527 2

www.LGcommercial.com

LG Electronics U.S.A., Inc.
Business Solutions Division
2000 Millbrook Drive
Lincolnshire, IL 60069

Customer Service: 888.865.3026

Contact your LG Regional Sales Representative:
Channel: 800.897.8871
Enterprise: 800.897.8788
Hospitality: 800.228.1236
E-mail: LGcommercial@lge.com

SPEC_W2442PA_120930_b



LG
Life's Good



All screen images are simulated. Dimensions and weights are approximate. Design, features and specifications subject to change without notice.

© Copyright 2010 LG Electronics USA, Inc. All Rights Reserved. "LG Life's Good" is a registered trademark of LG Corp. f-Engine is a registered trademark of LG Electronics USA, Inc.

Windows and Windows Vista are either trademarks or registered trademarks of Microsoft Corporation in the United States and/or other countries. VESA is a trademark of Video Electronics Standards Association. HDMI, the HDMI Logo and High-Definition Multimedia Interface are trademarks or registered trademarks of HDMI Licensing LLC. All other product and brand names are trademarks or registered trademarks of their respective companies.

Printed in the USA. January 2010