

27" CLASS (27.0" MEASURED DIAGONALLY)

E2722PY-BN

LCD  
MONITOR

## LED-backlit IPS Super Energy Saving Monitor



### AMAZINGLY VIVID & CLEAR IMAGE

Go wide with the LG E2722PY-BN WIDESCREEN LCD monitor. Designed with a remarkable 5,000,000:1 Digital Fine Contrast, 5ms response and 16.7 million colors, images are rendered with striking effect while text comes through sharp. From web browsing to desktop publishing, the E2722PY-BN can enhance productivity in professional environments. It also comes with Super Energy Saving function to reduce power consumption.

NATIVE DISPLAY RESOLUTION  
1920 x 1080 (FHD)

DISPLAY PORT, DVI-D D-SUB AND USB CONNECTIVITY

5,000,000:1 CONTRAST RATIO (DFC)

14MS RESPONSE TIME

SUPER ENERGY SAVING MODE

VESA™ COMPLIANT WALL MOUNT

 RoHS COMPLIANT

EPEAT GOLD RATED

BUILT-IN INVISIBLE SPEAKER (1W X 2)

TILT, HEIGHT, SWIVEL, AND PIVOT ADJUSTABLE STAND

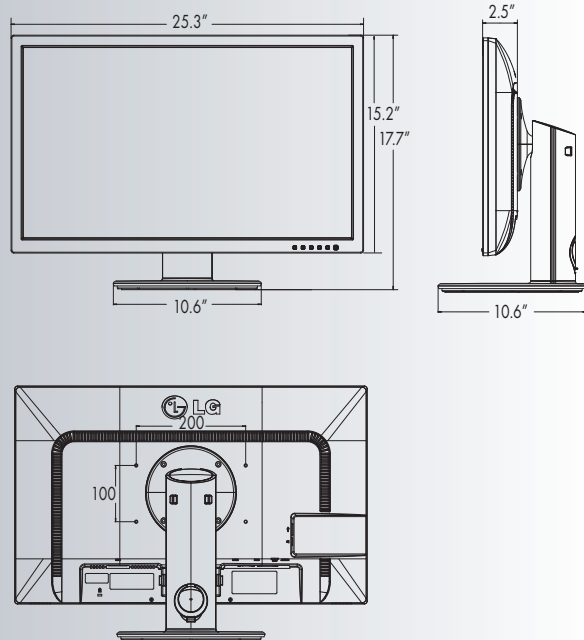
3 YEAR LIMITED WARRANTY  
(parts/labor/backlight)

LGsolutions.com

 **LG**  
Life's Good

E2722PY-BN

27" CLASS (27.0" MEASURED DIAGONALLY)



DIMENSIONS

SPECIFICATIONS

**DISPLAY**

LCD Panel Type	27" Class (27.0" measured diagonally) Widescreen
Color	Black
Color Gamut	72%
Color Depth	16.7 Million Colors
Pixel Pitch	0.3114mm*0.3114mm
Aspect Ratio	16:9
Maximum Resolution	1920 x 1080
Brightness	250 cd/m <sup>2</sup>
Contrast Ratio	1000:1, 5,000,000:1 (DFC)
Response Time	14ms
Viewing Angle (HxV)	178°/178°
LED Channel Q'ty	3
Surface Treatment	Non-Glare, 3H

**SIGNAL INPUT**

D-Sub	Yes
DVI-D	Yes
Display Port	Yes
Others	USB 1Up/2 Down

**AUDIO INPUT**

PC Audio In	Yes
-------------	-----

**SPEAKER**

Type	1W x 2
------	--------

**POWER**

Input	100~240V
Normal On (Typ.)	27W
Power Save/Sleep Mode (Max)	0.3W
DC Off (Max)	0.3W

**FREQUENCY**

Analog/Digital	30~83kHz (H-Frequency) 56~75Hz (V-Frequency)
----------------	---

**LANGUAGE**

Set-up	English, Germanic, French, Spanish, Italian, Swedish, Finnish, Portuguese, Polish, Russian, Greek, Chinese, Japanese, Ukrainian, Korean, Brazilian Portuguese, Hindi
--------	--

**DIMENSIONS**

Set w/Stand (W x D x H)	25.4" x 10.6" x 17.7"
Set w/o Stand (W x D x H)	25.4" x 2.5" x 15.2"
Box	28.7" x 18.5" x 10.0"

**WEIGHT**

Set w/Stand	17.96 lbs
Set w/o Stand	11.46 lbs
Box	23.19 lbs

**STAND**

Base Detachable
Tilt (-5° Front ~ 22° Rear)
Swivel (0° ~ 355°)
Height (100mm)
Pivot (0° ~ 90°)

**CERTIFICATIONS**

Safety	TCO 5.0, UL (cUL), TUV-GS (TUV-Type)
EPEAT Gold	Yes
EMC	FCC-B, CE
Environment	RoHS
ENERGY STAR (EPA) 5.0	Yes
ISO 13406-2	Yes
VESA Mounting	100mm x 100mm
MS Logo	Window 7

**SPECIAL FEATURES**

USB
Intelligent Auto (Auto Resolution)
HDCP
Plug & Play - DDC2B, DDC/CI
Super Energy Saving

**ACCESSORIES**

Power Cord
D-Sub Cable
DVI-D (Option)
PC Audio
USB A to B

**LIMITED WARRANTY**

3 Years (parts/labor/backlight)
Swap Program available
Call Toll-Free 1-800-243-0000

**UPC CODE**

E2722PY-BN	7 19192 19177 8
------------	-----------------



All screen images are simulated. Dimensions and weights are approximate. Design, features and specifications subject to change without notice.

© Copyright 2012 LG Electronics USA, Inc. All Rights Reserved. "LG Life's Good" is a registered trademark of LG Corp.

Windows and Windows Vista are either trademarks or registered trademarks of Microsoft Corporation in the United States and/or other countries. VESA is a trademark of Video Electronics Standards Association. Environmental Protection Agency. All other product and brand names are trademarks or registered trademarks of their respective companies.

Printed in the USA. November 2012

LGsolutions.com



LG Electronics U.S.A., Inc.  
HE B2B Division  
2000 Millbrook Drive  
Lincolnshire, IL 60069

Customer Service: 888.865.3026  
www.LGsolutions.com/support

Contact your LG Regional Sales Representative:  
Hospitality: 800.228.1236  
Channel: 800.897.8871

E-mail: info@LGsolutions.com

SPEC\_E2722PY-BN\_101236\_PR



**LG**

Life's Good