

55" CLASS (54.6" MEASURED DIAGONALLY)

55VS20-BAA

LCD
MONITOR

LCD Widescreen Full HD Capable Monitor



NATIVE DISPLAY RESOLUTION
1920 x 1080 (FHD)

HIGH BRIGHTNESS
700 cd/m²

CONTRAST RATIO
1,300:1 (Typ.), 3,000:1 (DCR)

SUPER IPS
178° VIEWING ANGLE

VIEWING ANGLE and LIFE EXPECTANCY
Enhanced in Portrait and Landscape Mode

RJ-45 LAN CONTROL

HDMI™/DVI WITH HDCP AND DISPLAY PORT

RS-232C CONTROL

CONVENIENT EXTERNAL SPEAKER-OUT



ENERGY STAR® 5.1 COMPLIANT

INFORMATION DISPLAY FOR SERIAL NUMBER

SPLIT ZOOM (self video wall)
Up to 15 x 15 matrix - adjusts for bezel width

BEZEL WIDTH
18.9mm(left/top/right/bottom)

USB PLAYBACK

PIP/PBP

USB PORT

TEMPERATURE SENSOR

3-YEAR LIMITED WARRANTY
parts/labor

LGsolutions.com

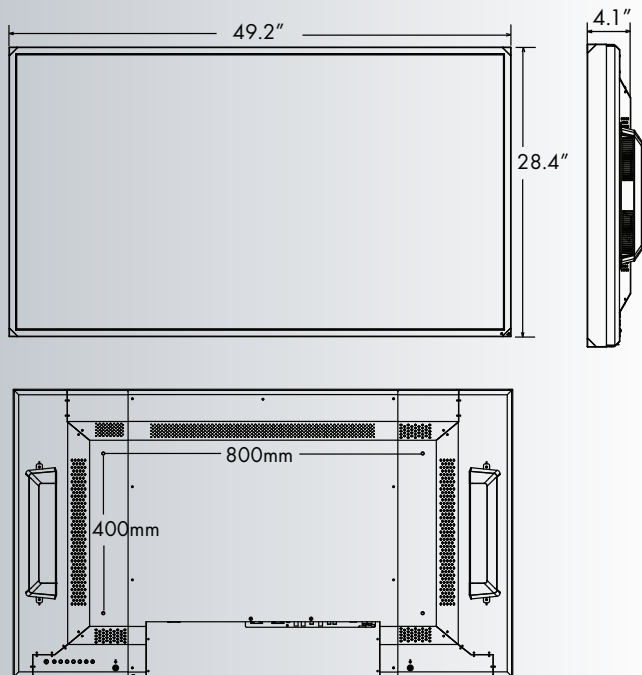


LG

Life's Good

55VS20-BAA 55" CLASS (46.9" MEASURED DIAGONALLY)

DIMENSIONS



SPECIFICATIONS

PANEL

Panel Technology	IPS
Display Area	55" class (54.6" measured diagonally)
Aspect Ratio	16:9
Native Resolution	1920 x 1080 (FHD)
Brightness	700 cd/m ²
Contrast Ratio	1,300:1 (Typ.), 3,000:1 (DCR)
Viewing Angle	178°/178°
Response Time	9ms (G to G)

INPUT (REAR)

Digital	DVI(1), HDMI(1), DP(1)
Analog	RGB(1), Shared Component(1), Shared AV(1)
Audio	PC Audio In(1)
External Control	RS232C(1), RJ45(1)
USB	USB(1)

OUTPUT (REAR)

Digital	DVI(1)
Analog	RGB(1)
Audio	External speaker
External Control	RS232C(1)

CABINET

Bezel Width	18.9mm (left/top/right/bottom)
Monitor Dimensions (W x H x D)	49.2" x 28.4" x 4.1"
Monitor Weight (head only)	76.05 lbs
Carton Dimensions (W x H x D)	53.3" x 33.8" x 10.9"
Packed Weight	95.68 lbs
VESA™ Standard Mount Interface	800mm x 400mm

SPECIAL FEATURES

- Smart Energy Saving
- Multi-media playback
- PIP/PBP
- Temp Sensor
- Tile mode (Up to 15 x 15)
- ISM Method
- Key Lock

ENVIRONMENT CONDITIONS

Operation Temperature	0°C ~ 40°C
Operation Humidity	10% ~ 80%

POWER

Power Supply	100-240V~, 50/60Hz
Power Consumption	
Normal (Typical)	260W
Smart Energy Saving on	160W
DPMS Off	1.0W(RGB)
Power Off	0.3W

STANDARD (CERTIFICATIONS)

Safety	CB / UL / c-UL / TUV / KC
EMC	FCC / CE / KCC
Erp/Energy Star 5.1	Yes / Yes

MEDIA PLAYER COMPATIBILITY

External Media player Attachable Yes

SOFTWARE COMPATIBILITY

Supersign Compatibility	Elite-W / Elite-W lite
LIMITED WARRANTY	3 Years (Parts/Labor)

UPC CODE

55VS20-BAA 7 19192 19054 2

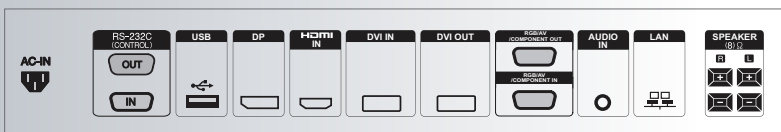
ACCESSORIES

Accessory D-Sub Cable, Power Cord, PC Audio Cable, Remote Controller (include battery 2ea), Manual

OPTIONAL ACCESSORIES

Hidden Speakers (SP0000K)	Black
Speaker Dimensions (W x H x D)	1.6" x 12.9" x 2.2"
Speaker Weight (each)	0.8 lbs
Packaging Dimensions (W x H x D)	15.1" x 5.3" x 6.9"
Packed Weight	2.4 lbs (2 Speakers/1 Package)
ST1000K (stand)	Fits 55VS20-BAA
Stand Dimensions (W x H x D)	26.4" x 8.4" x 12.6"
Weight	8.9 lbs

Rear Jack Pack Panel



LGsolutions.com



LG Electronics U.S.A., Inc.
HE B2B Division
2000 Millbrook Drive
Lincolnshire, IL 60069

Customer Service: 888.865.3026
www.LGsolutions.com/support

Contact your LG Regional Sales Representative:
Hospitality: 800.228.1236
Channel: 800.897.8871

E-mail: info@LGsolutions.com

SPEC_55VS20_071204_PR



All screen images are simulated. Dimensions and weights are approximate. Design, specifications, and features subject to change without notice.

© Copyright 2012 LG Electronics USA, Inc. All Rights Reserved. "LG Life's Good" is a registered trademark of LG Corp.

ENERGY STAR is a registered trademark of the U.S. Environmental Protection Agency. In Plane Switching is a trademark of LG Philips LCD Ltd. VESA is a trademark of Video Electronics Standards Association. HDMI, the HDMI logo and High-Definition Multimedia Interface are trademarks or registered trademarks of HDMI Licensing LLC.

All other product and brand names are trademarks or registered trademarks of their respective companies.

Printed in the USA. July 2012