

47" CLASS (46.9" MEASURED DIAGONALLY)

47VS20-BAA

LCD
MONITOR

LCD Widescreen Full HD Capable Monitor



NATIVE DISPLAY RESOLUTION
1920 x 1080 (FHD)

HIGH BRIGHTNESS
700 cd/m²

CONTRAST RATIO
1,200:1 (Typ.), 3,000:1 (DCR)

SUPER IPS
178° VIEWING ANGLE

VIEWING ANGLE and LIFE EXPECTANCY
Enhanced in Portrait and Landscape Mode

RJ-45 LAN CONTROL

HDMI™/DVI WITH HDCP AND DISPLAY PORT

RS-232C CONTROL

CONVENIENT EXTERNAL SPEAKER-OUT



ENERGY STAR® 5.1 COMPLIANT

INFORMATION DISPLAY FOR SERIAL NUMBER

SPLIT ZOOM (self video wall)
Up to 15 x 15 matrix - adjusts for bezel width

BEZEL WIDTH
17.9mm (left/top/bottom/right)

USB PLAYBACK

PIP/PBP

USB PORT

TEMPERATURE SENSOR

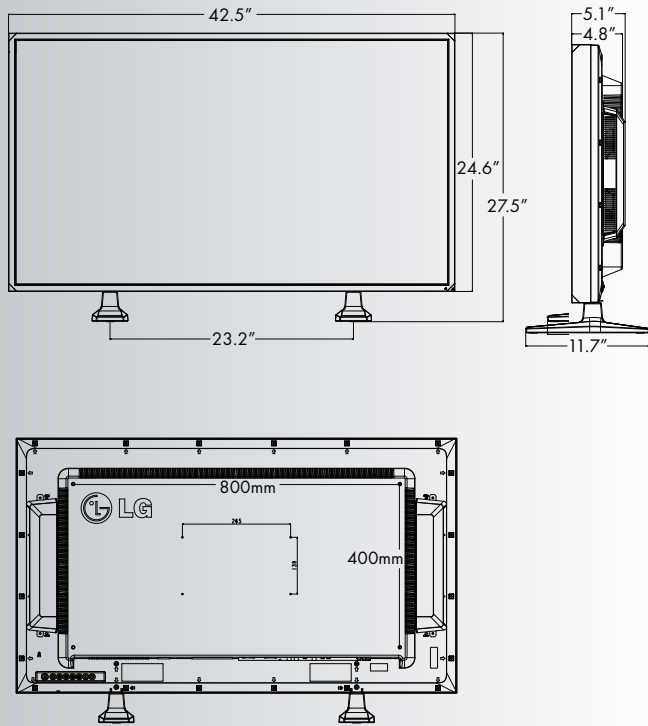
3-YEAR LIMITED WARRANTY
parts/labor

LGsolutions.com

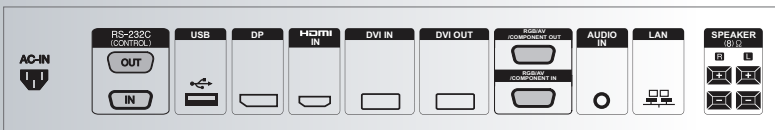


LG

Life's Good



Rear Jack Pack Panel



PANEL

Panel Technology	IPS
Display Area	47" class (46.9" measured diagonally)
Aspect Ratio	16:9
Native Resolution	1920 x 1080 (FHD)
Brightness	700 cd/m ²
Contrast Ratio	1,200:1 (Typ.), 3,000:1 (DCR)
Viewing Angle	178°/178°
Response Time	9ms (G to G)

INPUT (REAR)

Digital	DVI(1), HDMI(1), DP(1)
Analog	RGB(1), Shared Component(1), Shared AV(1)
Audio	PC Audio In(1)
External Control	RS232C(1), RJ45(1)
USB	USB(1)

OUTPUT (REAR)

Digital	DVI(1)
Analog	RGB(1)
Audio	External speaker
External Control	RS232C(1)

CABINET

Bezel Width	17.9mm (left/top/right/bottom)
Monitor Dimensions (W x H x D)	42.5" x 24.6" x 4.8"
Monitor Weight (head only)	48.94 lbs
Carton Dimensions (W x H x D)	46.5" x 29.3" x 10.6"
Packed Weight	65.25 lbs
VESA™ Standard Mount Interface	800mm x 400mm

SPECIAL FEATURES

Smart Energy Saving
Multi-media playback
PIP/PBP
Temp Sensor
Tile mode (Up to 15 x 15)
ISM Method
Key Lock

ENVIRONMENT CONDITIONS

Operation Temperature	0°C ~ 40°C
Operation Humidity	10% ~ 80%

POWER

Power Supply	100-240V~, 50/60Hz
Power Consumption	
Normal (Typical)	180W
Smart Energy Saving on	130W
DPMS Off	1.0W(RGB)
Power Off	0.3W

STANDARD (CERTIFICATIONS)

Safety	CB / UL / c-UL / TUV / KC
EMC	FCC / CE / KCC
Erp/Energy Star 5.1	Yes / Yes

MEDIA PLAYER COMPATIBILITY

External Media player Attachable	Yes
----------------------------------	-----

SOFTWARE COMPATIBILITY

Supersign Compatibility	Elite-W / Elite-W lite
LIMITED WARRANTY	3 Years (Parts/Labor)

UPC CODE

47VS20-BAA	7 19192 19053 5
------------	-----------------

ACCESSORIES

Accessory	D-Sub Cable, Power Cord, PC Audio Cable, Remote Controller (include battery 2ea), Manual
-----------	--

OPTIONAL ACCESSORIES

Hidden Speakers (SP0000K)	Black
Speaker Dimensions (W x H x D)	1.6" x 12.9" x 2.2"
Speaker Weight (each)	0.8 lbs
Packaging Dimensions (W x H x D)	15.1" x 5.3" x 6.9"
Packed Weight	2.4 lbs (2 Speakers/1 Package)
ST1000K (stand)	Fits 47VS20-BAA
Stand Dimensions (W x H x D)	26.4" x 8.4" x 12.6"
Weight	8.9 lbs

