

# 941BW

# 204BW

## Widescreen Analog/Digital LCD Monitors



- 19" and 20" widescreen 16:10 aspect ratio
- Fast MagicSpeed™ pixel response
- 160°/160° horizontal/vertical viewing angles
- High-contrast color distinction
- Exclusive MagicTune™, MagicColor™ and MagicBright 2™
- Ergonomic adjustable stand
- Narrow bezel design

imagine the advantages of going big without slowing down. Our big 19" 941BW and 20" 204BW monitors combine wide aspect ratios with fast pixel response times, for bigger images, more room to work and crisp motion. In addition, our exclusive MagicBright 2™, MagicColor™ and MagicTune™ technologies help deliver the ideal image in every situation, while sleek, narrow bezels and adjustable stands deliver style just the way you want it. With the Samsung 941BW and 204BW widescreen analog/digital LCD monitors, it's not hard to imagine.



# 941BW 204BW



## 19" and 20" Widescreen Analog/Digital LCD Monitors

### Features

#### Widescreen Format

Whether you're creating a masterpiece or just watching one on DVD, the wide 16:10 aspect ratio improves the view.

#### MagicSpeed™ Response



Fast pixel response means fast action with virtually no blurring or ghosting.

#### MagicTune™ with Asset Management



Monitor adjustments are made via the mouse, for a sleeker monitor with fewer buttons.

#### MagicColor™ and MagicBright 2™

Enjoy rich, natural color and easily selectable brightness modes that include

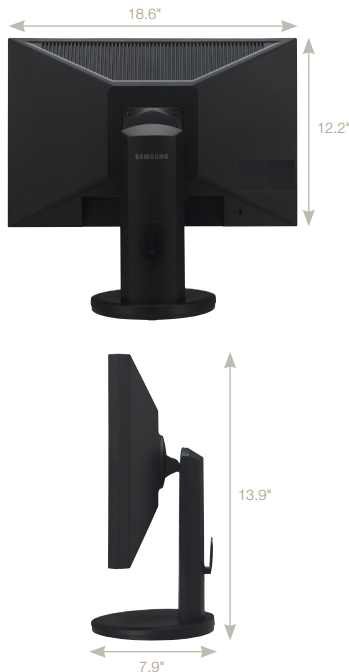


Text, Internet, Game, Sports and Movie.

#### Adjustable Stand

The 941BW makes things easy by being tilt-adjustable. And the tilting, swiveling, height-adjustable 204BW has all the right moves.

#### Dimensions 204BW



| Specifications                               | 941BW  | 204BW  |
|--|--|--|
| Panel Type                                   | a-si TFT/TN  |  |
| Viewable Size                                | 19.0" Wide   | 20.0" Wide   |
| Pixel Pitch                                  | .285 mm  |  |
| Brightness (Typical)                         | 300 cd/m <sup>2</sup>  |  |
| Contrast Ratio (Typical)                     | 500:1  | 700:1  |
| Response Time (Typical)                      | 4 ms (G to G)  | 6 ms   |
| Viewing Angle (Horizontal/Vertical, Typical) | 160°/160° (CR >5)  |  |
| Native Resolution                            | 1440 x 900   | 1680 x 1050  |
| Aspect Ratio                                 | 16:10  |  |
| Maximum Color                                | 16.2M  | 16.2M  |
| Interface                                    | Analog/Digital   |  |
| Input Video Signal                           | Analog RGB, DVI Digital Link: TMDS   |  |
| Sync Type                                    | Separate H/V, Composite H/V, SOG   |  |
| Input Connectors                             | 15-pin D-sub, DVI-D  |  |
| Power Consumption                            | 42 watts (max.), <1 watt (DPMS mode)                                       | 75 watts (max.), <2 watts (DPMS mode)                |
| VESA Wall Mount                              | 75 mm  | 100 mm   |
| Emission Standard                            | TCO '03  |  |
| Cabinet Color (Front/Back)                   | Black  | Black  |
| Stand Type                                   | Tilt   | Ergonomic three-way adjustable: height, swivel, tilt |
| Magic Technologies                           | MagicTune™ with asset management, MagicColor™, MagicBright 2™, MagicSpeed™ |  |
| Other Features                               | Narrow bezel   | Narrow bezel, HDCP                                   |
| Compatibility                                | PC/Windows, Macintosh, Sun Microsystems                                    |  |
| Dimensions (W x H x D)                       | 17.3" x 14.2" x 7.9" (with stand)  | 18.6" x 13.9" x 7.9" (with stand)                    |
| Net Weight                                   | 9.3 lbs.   | 15 lbs.  |
| Warranty (P/L/B)                             | 3/3/3  |  |



Product Information: 1-866-542-7214 [www.samsung.com/monitor](http://www.samsung.com/monitor)  
Product Support: 1-800-SAMSUNG



©2006 Samsung Electronics America, Inc. Samsung is a registered mark of Samsung Electronics Corp., Ltd. Specifications and design are subject to change without notice. See [www.samsung.com](http://www.samsung.com) for detailed information. Printed in USA. 941BW8/06R2