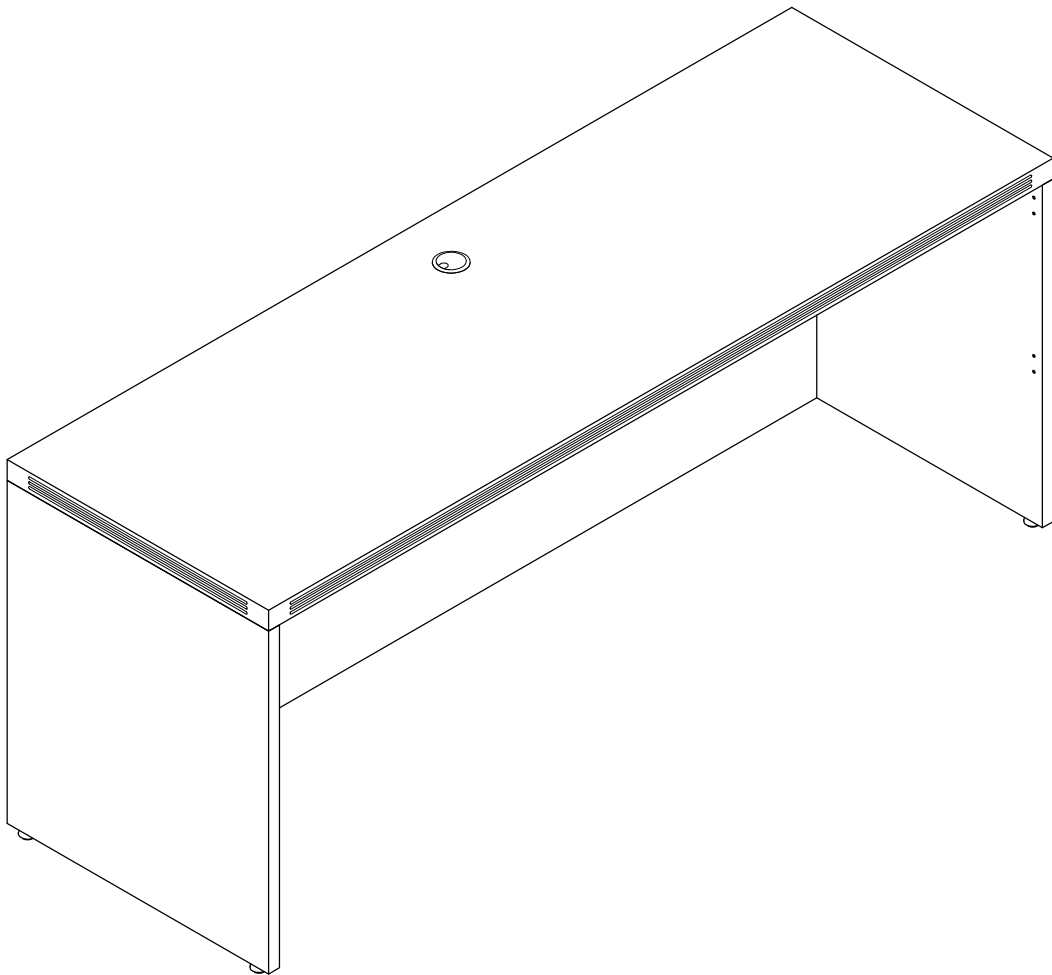




Tiffany Industries™
A MAYLINÉ GROUP COMPANY

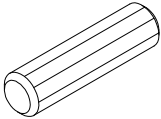
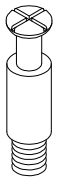
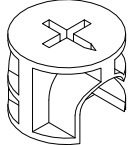
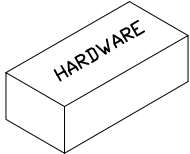
Credenza

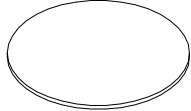
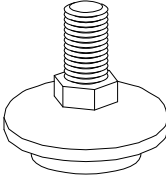
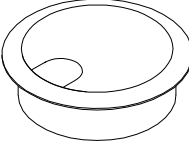
Model No. ACD7224, ACD6624 & ACD6024



ASSEMBLY INSTRUCTIONS
CALL 1-800-822-8037 FOR ASSISTANCE

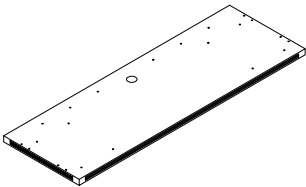
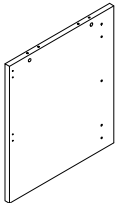
PARTS LIST

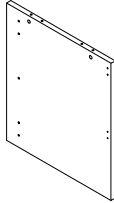
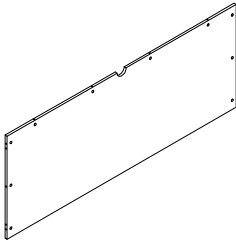
Name	Part	Qty.	Spare Qty
A*	 <p style="text-align: right;">HB</p> <p>REALS004 Wood Dowel</p>	10	1
B*	 <p style="text-align: right;">HB</p> <p>REALS003 Cam Post</p>	14	1
C*	 <p style="text-align: right;">HB</p> <p>REALS001 Cam Fastener</p>	14	1
	 <p style="text-align: center;">ARDHB</p>		

Name	Part	Qty.	Spare Qty
D*	 <p style="text-align: right;">HB</p> <p>REALS102** Cam Sticker</p>	14	1
E*	 <p style="text-align: right;">HB</p> <p>REALS067 Leveler</p>	4	
F*	 <p style="text-align: right;">HB</p> <p>REAL100 Grommet</p>	1	

Items with HB are in hardware box.
 *For Individual Items, Order By Part Number.
 **Denotes Color Code

PARTS LIST

Name	Part	Qty.
G*	 ACD~~24G* Top	1
H*	 ACD24H** Left Side Panel	1

Name	Part	Qty.
J*	 ACD24J** Right Side Panel	1
K*	 ACD~~K** Modesty Panel	1

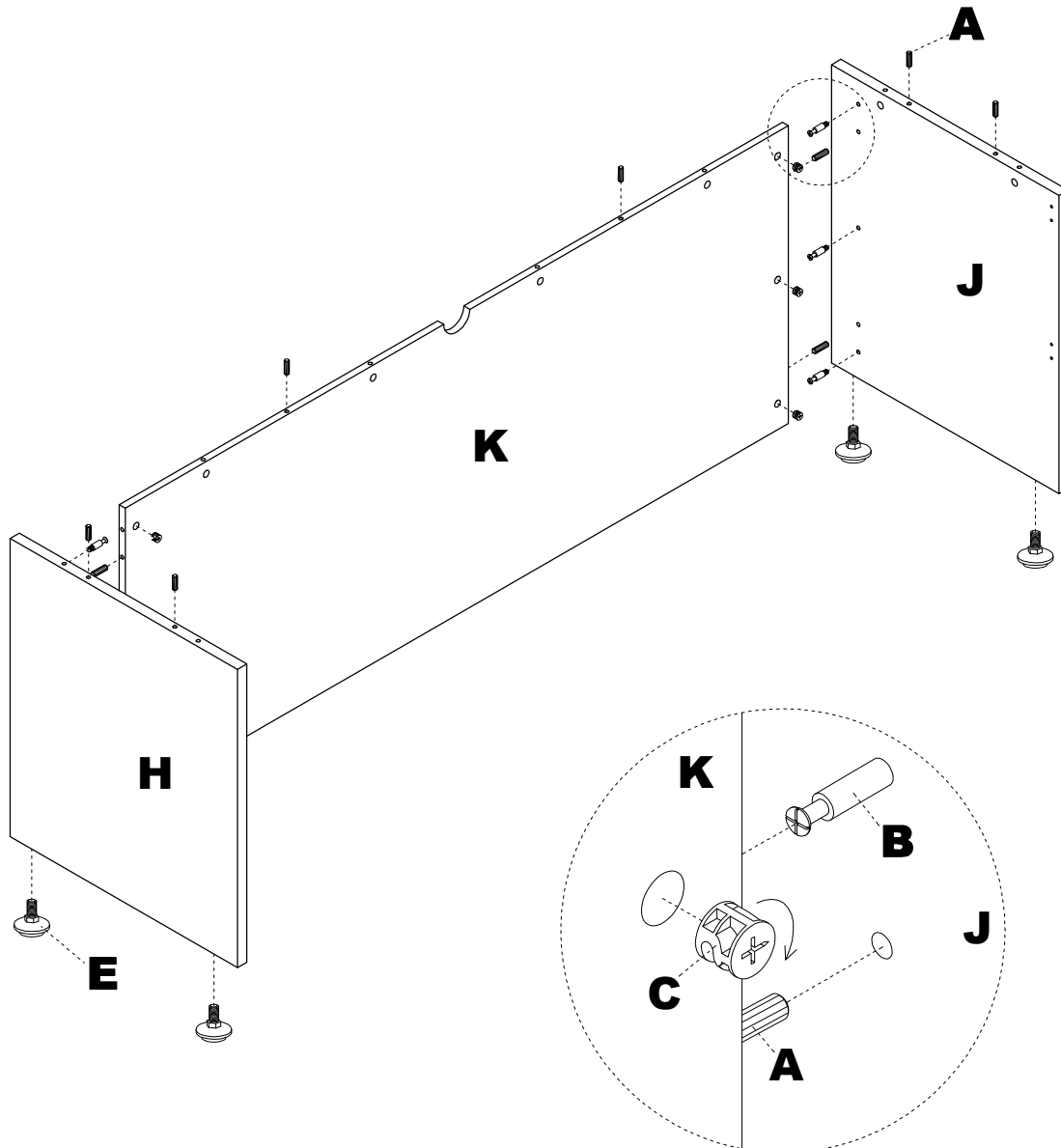
*For Individual Items, Order By Part Number.

**Denotes Color Code

~~Denotes Size (72, 66 or 60)

1

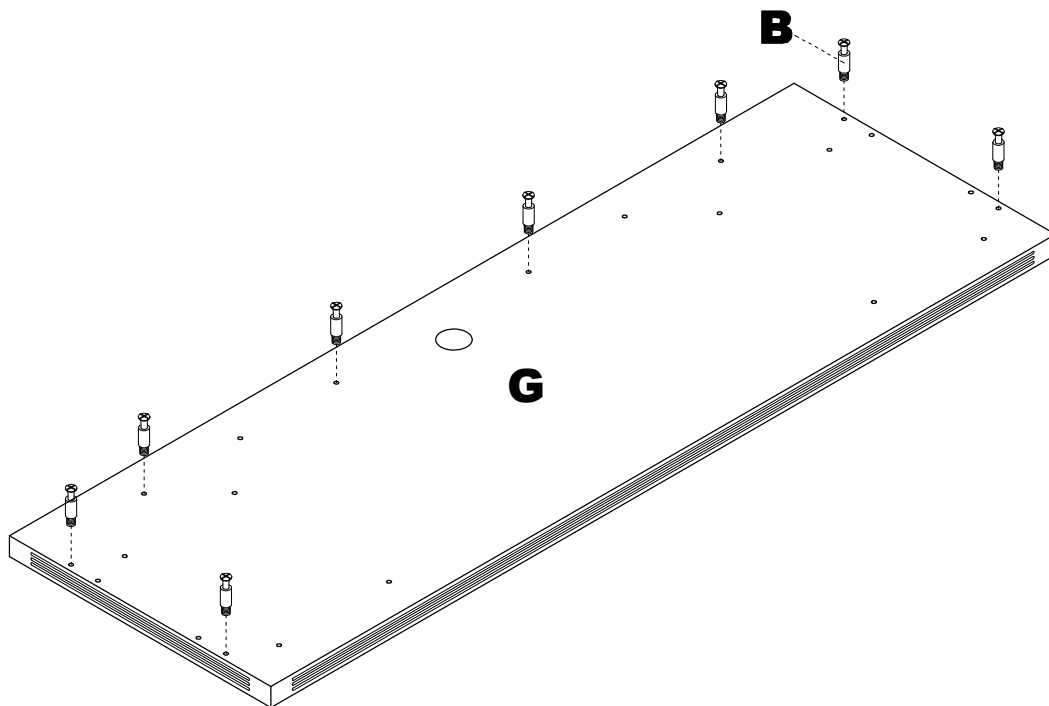
Insert Wood Dowels (A) into Modesty Panel (K) and the top of the Side Panels (H, J). Insert Cams (C) into the Modesty Panel (K) and Side panels (H, J). Install Cam Posts (B) into threaded inserts in Side Panels (H, J). Install Levelers (E) into bottom of Side Panels (H, J). Attach Modesty Panel (K) to Side Panels (H, J) by turning Cams (C).



NOTE: The arrow on the face of the Cam (C) should point towards the Cam Post (B) for proper alignment.

2

Install Cam Posts (B) into threaded inserts in underside of Top (G).



3

Place Top (G) onto base and lock in place by turning Cams (C). Apply Cam Stickers (D) onto Cams (C) and insert Grommet (F) into Top (G).

